

HA130 RTJ PRO



OUTSTANDING ROUGH TERRAIN DRIVING CAPABILITIES

- > Differential wheel lock: 4 wheel drive and steer, oscillating axle
- > Up to 4 simultaneous, proportional movements
- > Tightest turning radius on the market
- > Continuous outreach control

OPTIMIZED SERVICEABILITY

- > Modular platform, quick and easy to repair
- > Easy access to all components
- > Self-diagnosis integrated to the lower control box

RELIABLE SAFETY

- > Haulotte Activ'Shield Bar 2.0



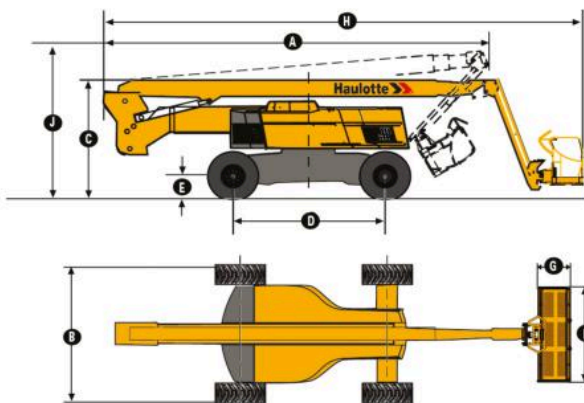
HA130 RTJ PRO

ROUGH TERRAIN ARTICULATING BOOMS

TECHNICAL DATA

HA130 RTJ PRO 4WD / 4WS

| | |
|--|----------------------|
| Working height | 136 ft 2 in |
| Platform height | 129 ft 7 in |
| Horizontal outreach | 65 ft 11 in |
| Up and over height | 57 ft 5 in |
| Below ground reach | 4 ft 11 in |
| Lift capacity | 500 lb (2 pers.) |
| F x G Platform size | 8 ft x 3 ft |
| H Length | 43 ft |
| A Length - transport | 36 ft 1 in |
| B Width | 8 ft 2 in |
| Width - with extended axles | 10 ft 10 in |
| C Height - stowed | 9 ft 10 in |
| J Height - transport | 12 ft 3 in |
| Vertical jib rotation | 140° (+ 70° / - 70°) |
| Platform rotation | 180° (+ 90° / - 90°) |
| Turntable rotation | 360° continuous |
| Tailswing | 12 ft 9 in |
| D Wheelbase | 11 ft 6 in |
| E Ground clearance | 15 in |
| Tilt alarm | 4 ° |
| Maximum wind speed rating | 28 mph |
| Gradeability | 40 % |
| Outside turning radius - extended axle | 18 ft 10 in |
| Tires | 445 / 65 - 22.5 |
| Engine | Deutz, 55 kW, Tier 4 |
| Weight | 52,700 lb |



STANDARD EQUIPMENT

- > Haulotte Activ' Shield Bar 2.0
- > Universal telematics plug
- > 4 wheel drive and 4 wheel steer
- > Front oscillating axle
- > 2 extendable axles
- > Fully proportional controls
- > 4 simultaneous movements
- > Differential wheel lock
- > Upper control box protection cover and tool tray in ultra-rugged composite
- > Modular large platform with swing door entry gate
- > Basket compensation $\pm 10^\circ$
- > AC power to the platform
- > Swing out engine tray
- > Tilt / load alarm and light
- > Flashing beacon
- > Travel alarm
- > Electric pump system and emergency descent controls in upper control box
- > 12 V battery
- > Engine pre-heater with light indicator
- > Low fuel level indicator (upper control box)
- > Towing hooks
- > Hydrostatic transmission

OPTIONS AND ACCESSORIES

- > Air line to platform
- > Lateral swing door entry gate (standard on US machines)
- > On-board hydraulic 3.7 kW generator
- > Biodegradable hydraulic oil
- > Hydraulic oil cooler
- > Cap with key for diesel tank
- > Hydraulic oil in tank and circuit for warm countries
- > Cold weather kit
- > Pipe cradle
- > Glazier kit
- > Automatic overspeed air shutdown valve (electric one-way valve, flame arrestor, spark arrestor)
- > 55W platform worklight

