

ELECTRIC ARTICULATING BOOMS



HA32 CJ / CJ+



EXCELLENT MANEUVERABILITY

- > Simultaneous drive and rotation
- > Tight turning radius
- > Zero tailswing
- > Compact stowed height passes through standard doorways
- > 3 ft 11 in width

OPTIMIZED PRODUCTIVITY

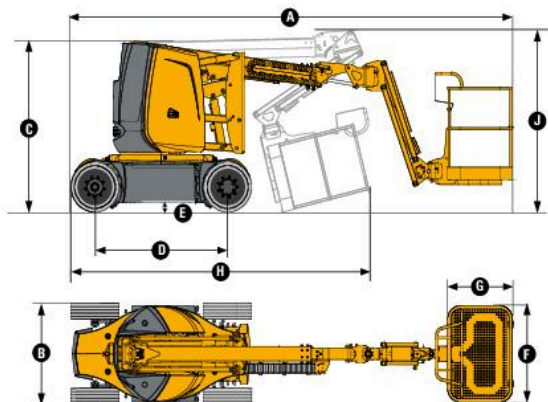
- > Long working cycles
- > Suitable for indoor and outdoor use
- > Long working cycles

HA32 CJ / CJ+

ELECTRIC ARTICULATING BOOMS

TECHNICAL DATA

	HA32 CJ	HA32 CJ+
Working height	37 ft 9 in	37 ft 9 in
Platform height	31 ft 9 in	31 ft 9 in
Horizontal outreach	23 ft 2 in	24 ft 1 in
Up and over clearance	15 ft 7 in	15 ft 7 in
Lift capacity	550 lb (2 pers.)	500 lb (2 pers.)
F x G Platform size	3 ft 9 in x 2 ft 7 in	3 ft 9 in x 2 ft 7 in
A Length	17 ft 7 in	18 ft 6 in
B Width	3 ft 11 in	3 ft 11 in
C Height - stowed	6 ft 6 in	6 ft 6 in
H Length - transport	12 ft 8 in	13 ft 9 in
J Height - transport	7 ft 3 in	8 ft 6 in
Tailswing	0 in	0 in
Horizontal jib rotation	N/A	180° (-90/+90)
Vertical jib rotation	132.2° (+63.5/-68.7)	132.2° (+63.5/-68.7)
Platform rotation	180° (+90/-90)	180° (-90/+90)
Turntable rotation	355 °	355 °
D Wheelbase	5 ft 5 in	5 ft 5 in
E Ground clearance	5 in	5 in
Tilt alarm	3°	3°
Drive speed	0.4 - 3.7 mph	0.4 - 3.7 mph
Gradeability	25 %	25 %
Turning radius - outside	12 ft 0 in	12 ft 0 in
Tires	23.5x7.5	23.5x7.5
Batteries	48V - 320 Ah (C5)	48V - 320 Ah (C5)
Weight	15,578 lb	15,678 lb

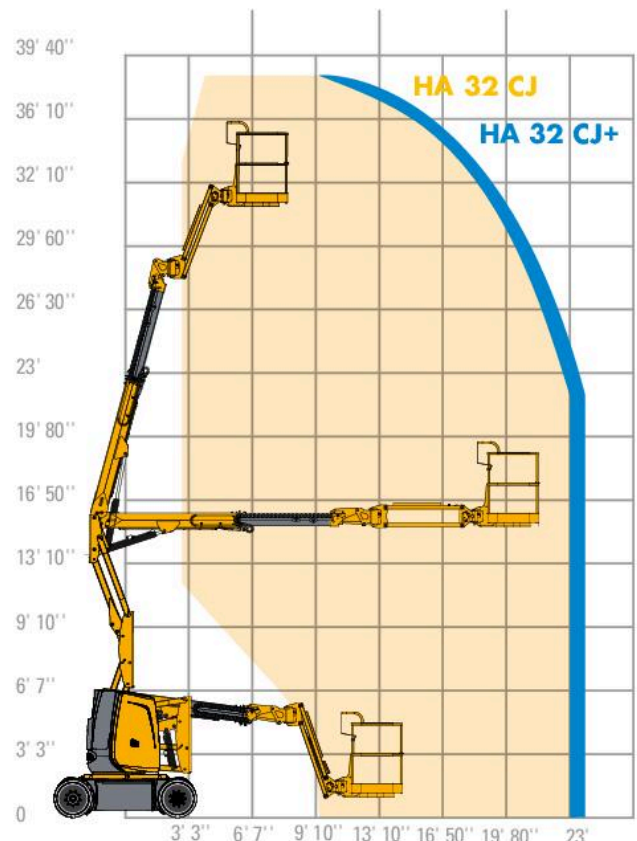


STANDARD EQUIPMENT

- > 2 wheel drive
- > 48 V DC drive system
- > Solid state battery charger
- > Solid non-marking tires
- > Towing hooks and lifting points
- > Descent alarm
- > Hour meter
- > Low voltage interrupt
- > Tilt alarm
- > AC Power to the platform
- > Automatic platform leveling
- > Electronic horn
- > Fully proportional controls
- > Self-closing swing gate
- > Auxiliary power in the platform for emergency down

OPTIONS AND ACCESSORIES

- > Centralized battery filling
- > Motion alarm (travel and elevate)
- > Fluorescent tube caddy
- > Orange safety cone holder
- > 70 W platform working light
- > Air line to platform
- > Working light
- > Power to the platform
- > Circuit breaker
- > Fluorescent tube caddy
- > Fluorescent tube caddy



24/2024/1950 - We reserve the right to modify the technical characteristics of this document without notice - 07/2020