

HA46 RTJ PRO



PERFORMANCE & EASE OF USE

- > Industry leading working envelope with an outreach of 27 ft 3 in
- > Rapid lifting speed of 40 sec
- > Fully proportional and simultaneous movements
- > 4-wheel steer and 360° continuous rotation for greater productivity

COMFORT AND SAFETY

- > Haulotte Activ'Shield Bar 2.0
- > Haulotte Activ'Lighting System for safe loading/unloading in low visibility conditions

MINIMIZED TOTAL COST OF OWNERSHIP

- > Haulotte Activ'Screen (on board diagnostics)
- > Haulotte Stop Emission System: automatically turns the engine on & off
- > Easy access to all components

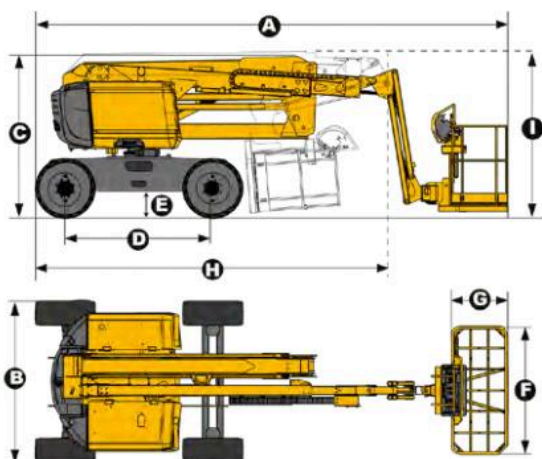
HA46 RTJ PRO

ROUGH TERRAIN ARTICULATING BOOMS

TECHNICAL DATA

HA46 RTJ PRO

Working height	51 ft 11 in
Platform height	45 ft 11 in
Horizontal outreach	27 ft 3 in
Up and over height	25 ft 1 in
Lift capacity	500 lb (2 pers.)
F x G Platform size	95 in x 34.5 in
A Length	22 ft 2 in
B Width	7 ft 7 in
C Height - stowed	7 ft 7 in
H Length - transport	16 ft 7 in
I Height - transport	7 ft 10 in
Vertical jib rotation	140° (- 80° / + 60°)
Platform rotation	165° (- 75° / + 90°)
Turntable rotation	360° continuous
Tailswing	4 in
D Wheelbase	6 ft 11 in
E Ground clearance	15 in
Tilt alarm	5°
Drive speed	3.2 mph
Maximum wind speed rating	28 mph
Gradeability	40 %
Turning radius - outside	12 ft 4 in
Tires - solid rough terrain	32.7 x 11.2 in
Engine	Kohler, TIER 4 final : Stage V, KSD 1403 NA / 18,4 kW
Weight	14,420 lb



STANDARD EQUIPMENT

- > Haulotte Activ'Shield Bar 2.0
- > Haulotte Stop Emission System
- > Haulotte Activ'Lighting System
- > Onboard Haulotte Activ'Screen diagnostics on lower control box, with color screen
- > Universal telematics plug
- > 4 wheel drive
- > 4 wheel steer
- > Front oscillating axle increases stability on rough terrain
- > 4 simultaneous movements for maximum productivity
- > Permanent limited slip differential
- > Upper control box cover
- > Tool tray
- > 500 lb (2 persons) load capacity
- > Modular large basket 8 ft x 3 ft, quick and easy to repair
- > Lateral swing door entry gate
- > AC power to platform (110 / 230 V)
- > Swing out engine tray for ease of maintenance
- > Sound and light alarm for tilt and load
- > Rotating beacon
- > Travel alarm
- > Hour meter
- > 12 V battery / electrical control system
- > Engine pre-heater with light indicator
- > Low fuel level indicator (upper & lower control boxes)
- > Electric emergency descent pump system

OPTIONS AND ACCESSORIES

- > Large cured on solid rough terrain tires 41.9 x 14.4 in
- > Non-marking tyres
- > Modular large basket 8 ft x 3 ft, quick and easy to repair (Standard in US & Canada)
- > Power to platform (female plug in the basket with or without circuit-breaker 30 mA)(Standard in US & Canada)
- > Air-line to platform 0.25 in inside diameter
- > Lateral swing door entry gate (Standard in US & Canada)
- > Hydraulic generator
- > Biodegradable hydraulic oil
- > Warm weather kit: hydraulic oil cooler + hydraulic oil
- > Cold weather kit: 14°F / - 13°F
- > Platform work lights
- > Battery cut-off

