

HA61 RTJ PRO



MAXIMUM PRODUCTIVITY

- > 360° continuous rotation
- > 4 wheel steering for more agility

EXCELLENT ROUGH-TERRAIN CAPABILITIES

- > Climb ramps up to 45%
- > Oscillating axle for a very good ground grip
- > Differential lock (hydraulic) to optimize crossing capacity

OPTIMIZED COST OF OWNERSHIP

- > Simplified hydraulic architecture thanks to mechanical axles
- > Simple and reliable engine (>19kW, does not require a particulate filter)
- > Sherpal ready for maximized usage and to generate additional revenue (optional)

OPTIMAL SAFETY

- > Haulotte Activ'Shield Bar: anti-crush system
- > Haulotte Activ'Lighting System: load and unload the machine in low visibility conditions

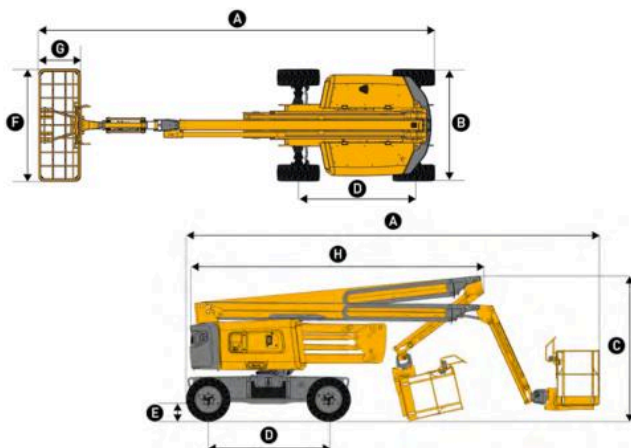


HA61 RTJ PRO

ROUGH TERRAIN ARTICULATING BOOMS

TECHNICAL DATA

HA61 RTJ PRO	
Working height	66 ft 8 in
Platform height	60 ft 8 in
Horizontal outreach	39 ft
Tailswing	1 ft 4 in
A Length	28 ft 2 in
B Width	8 ft
C Storage / transport height	9 ft 9 in
D Wheelbase	8 ft 2 in
E Ground clearance - mini	11 in
F x G Platform size	8 ft x 3 ft
H Storage / transport length	20 ft 3 in
Tilt	4° - option 6°
Platform rotation	180° (+90° / -90°)
Turntable rotation	360° continuous
Up and over clearance	27 ft 11 in
Height - stowed	8 ft 1 in
Lift capacity	550 lbs (2 pers.) - option 770 lbs
Drive speed	0.3 - 3 mph
Maximum wind speed rating	28 mph
Gradeability	45 %
Tires - solid rough terrain	3 ft x 1 ft 2 in
Turning radius - outside	17 ft 1 in
Power source	KUBOTA, TIER 4 final : Stage V, China IV, Diesel: 18.5 kW
Weight	20,790 lbs



STANDARD EQUIPMENT

- > Haulotte Activ'Shield Bar
- > Haulotte Activ'Lighting System
- > Haulotte Stop Emission System
- > Haulotte Activ'Screen
- > 4 wheel drive and 4 wheel steering
- > Permanent limited slip differential
- > Oscillating axle
- > 360° continuous rotation
- > Simultaneous and proportional movements
- > Swing out engine tray for ease of maintenance
- > Access to the MyHaulotte multi-service portal
- > Telematics solutions
- > 12 V battery / electrical control system
- > Rotating beacon
- > Upper control box protection cover

OPTIONS AND ACCESSORIES

- > Hydraulic generator in 3.7kw or 12kw
- > USB port
- > Air line to platform
- > Cold weather kit
- > Glazier kit
- > Flashing light
- > Sherpal telematics subscription
- > Non-marking tires

