

HA80 RTJ PRO



PERFORMANCE & PRODUCTIVITY

- > Dynamic & comprehensive working envelope
- > Automatic vertical platform rise
- > Outstanding rough terrain capabilities
- > Unrestricted platform capacity 550 lbs
- > Dual load capacity 550 - 770 lbs (optional)

SAFETY AND COMFORT

- > Fully proportional and simultaneous movements
- > Haulotte Activ'Lighting System for safe loading/unloading in low visibility conditions
- > Haulotte Activ'Shield Bar 2.0

MAXIMIZED TOTAL COST OF OWNERSHIP

- > Haulotte Activ'Screen diagnostic display for on board fault & service alerts
- > Haulotte Stop Emission System automatically turns the engine off & on
- > Easy access to all maintenance components
- > Exclusive modular platform, quick and easy to repair

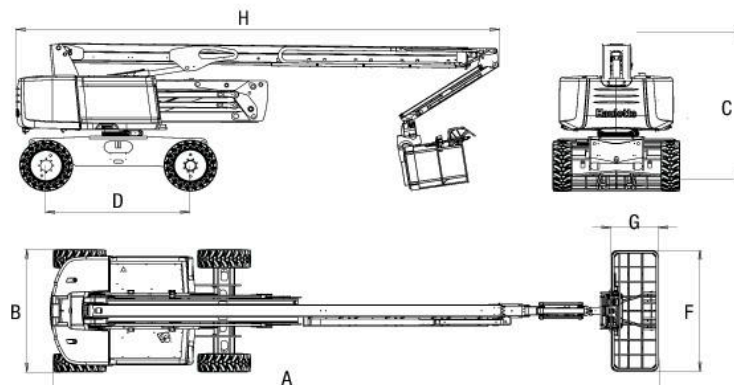
HA80 RTJ PRO

ROUGH TERRAIN ARTICULATING BOOMS

TECHNICAL DATA

HA80 RTJ PRO

Working height	86 ft 1 in
Platform height	80 ft 1 in
Horizontal outreach	57 ft 5 in
Up and over height	30 ft 6 in
Lift capacity	550 lb (2 pers.) - option 770 lb
F x G Platform size	8 ft x 3 ft
A Length	38 ft 8 in
B Width	8 ft 2 in
C Height - stowed	9 ft 9 in
H Length - transport	30 ft 10 in
Height - transport	9ft 9in
Platform rotation	180°
Vertical jib rotation	133° [- 65° / + 68°]
Turntable rotation	360° continuous
Tailswing	30 in
D Wheelbase	9 ft 2 in
Ground clearance	19 in
Tilt alarm	4°
Drive speed	3.1 mph
Maximum wind speed rating	28 mph
Gradeability	45 %
Turning radius - outside	14 ft 3 in
Tires - solid rough terrain	Cured on 40.4 x 14.4 in
Engine	Kubota 48.6 kW (66 hp), T4f
Weight	34,100 lb



STANDARD EQUIPMENT

- > Embedded diagnostic system Haulotte Activ'Screen on lower control box, with color screen
- > Haulotte Activ'Shield Bar 2.0 secondary guarding system
- > Haulotte Activ'Lighting System
- > Haulotte Stop Emission System: automatic engine stop system
- > Universal telematics plug
- > 4 wheel drive, 4 wheel steer
- > Front oscillating axle
- > 4 simultaneous & proportional movements
- > Automatic differential wheel lock
- > Upper control box cover
- > Ruggedized tool tray
- > Large modular platform 8 ft x 3 ft
- > Swing door entry gate
- > AC power to platform (110 / 230V)
- > Swing out engine tray
- > Sound and light alarm for tilt and load
- > Rotating beacon
- > Travel alarm
- > Electric pump system and emergency descent
- > 12 V battery / electrical control system
- > Engine pre-heater with light indicator
- > Low fuel level indicator (upper & lower control box)

OPTIONS AND ACCESSORIES

- > Non-marking tires
- > Dual load capacity 550 / 770 lbs
- > 37 mph wind speed
- > Power to platform (Standard in North America)
- > Air line to platform
- > Lateral swing door entry gate (Standard in North America)
- > Hydraulic generator 3.5 kW
- > Biodegradable hydraulic oil
- > Hydraulic oil cooler
- > Cold weather kit / arctic weather kit
- > Pipe cradle pack
- > Glazier pack
- > Work light pack
- > Battery circuit breaker

