

HT85 RTJ PRO



PERFORMANCE & PRODUCTIVITY

- > Industry leading horizontal outreach of 78 ft 3 in
- > Smooth and precise movements
- > Outstanding rough terrain capabilities
- > Dual load capacity 550 - 770 lb (optional)

SAFETY & COMFORT

- > Haulotte Activ'Shield Bar 2.0
- > Haulotte Activ'Lighting System for safe loading / unloading in low visibility conditions
- > Ultimate control & comfort is engineered to provide superior working-envelope efficiency
- > Robust boom design

MINIMIZED TOTAL COST OF OWNERSHIP

- > Haulotte Activ'Screen on-board diagnostic system
- > Haulotte Stop Emission System regulates engine run time, reducing fuel consumption, pollution, and noise
- > Modular platform, quick and easy to repair
- > Easy access to all components



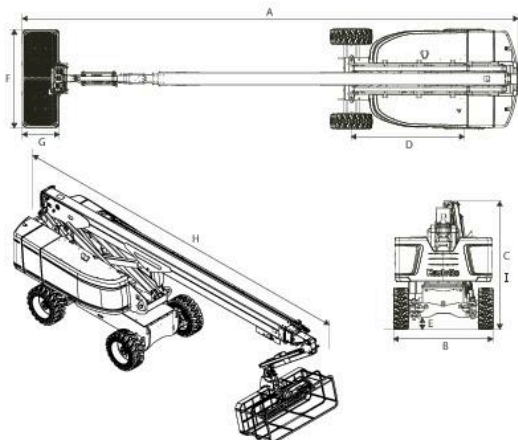
HT85 RTJ PRO

ROUGH TERRAIN TELESCOPIC BOOMS

TECHNICAL DATA

HT85 RTJ PRO

Working height	91 ft
Platform height	85 ft
Horizontal outreach	78 ft 3 in
Below grade reach	9 ft 8 in
Lift capacity	500 lb (2 pers.) - option: 770 lb
F x G Platform size	8 ft x 3 ft
A Length - stowed	42 ft 1 in
H Length - transport	32 ft 2 in
B Width	8 ft 2 in
C Height - stowed	9 ft 4 in
I Height - transport	9 ft 9 in
Vertical jib rotation	133° (- 66° / + 67°)
Jib length	6 ft
Turret swing	360° continuous
Tailswing	60 in
D Wheelbase	9 ft 2 in
E Ground clearance	19 in
Tilt alarm	4 °
Drive speed	0.3 - 3.1 mph
Gradeability	45 %
Turning radius - outside	14 ft 3 in
Tires - solid rough terrain	40.4 x 14.4 in
Engine	Deutz 55.5 kW, 74 hp (t4f)
Weight	39,900 lb



STANDARD EQUIPMENT

- > Haulotte Stop Emission System
- > Haulotte Activ'Screen: on-board diagnostic
- > Haulotte Activ'Shield Bar 2.0
- > Haulotte Activ'Lighting System
- > Universal telematics plug
- > 4 wheel drive / 4 wheel steer
- > Oscillating axle
- > Smooth & proportional movements
- > Automatic wheel differential lock
- > Upper control box protection cover and tool tray in ultra-rugged composite
- > Large modular platform 8 ft x 3 ft
- > Drop bar entry gate
- > Basket rotation 180° (± 90°)
- > Swing-out engine tray for easy maintenance access
- > Sound and light alarm for tilt and load
- > Movement alarm and rotating beacon light

OPTIONS AND ACCESSORIES

- > Non-marking tires
- > Dual load capacity 550 - 770 lb (2 persons)
- > 37 mph wind speed
- > 110 / 220 V power to platform
- > Air line to platform 1/2 in inside diameter
- > Lateral swing door entry gate
- > Hydraulic generator 3.5 kW or 6.5 kW
- > Work light package
- > Hydraulic oil cooler
- > Cold weather package / arctic weather kit
- > Pipe cradle kit
- > Glazier kit
- > Motion flashing warning light
- > Battery circuit breaker

