



SIGMA 16 SIGMA 16 PRO



BOOST YOUR PRODUCTIVITY

- > Best working envelope in the market with the longest outreach and highest up & over clearance
- > Simultaneous movements
- > Versatility indoor & outdoor on firm ground
- > Load capacity of 230 kg & two operators

MOVE WITH AGILITY

- > Jib with horizontal rotation provides access to the most inaccessible places (PRO model)
- > Zero tailswing and tight turning radius
- > Proportional, precise & smooth movements

RELIABLE SERVICEABILITY

- > Haulotte Activ'Energy Management takes care of your battery
- > Haulotte Activ'Screen: on-board configuration & diagnostic interface

WORK SAFELY

- > Haulotte Activ'Shield Bar *
- > Haulotte Activ'Lighting System *

* Optional on SIGMA 16 model

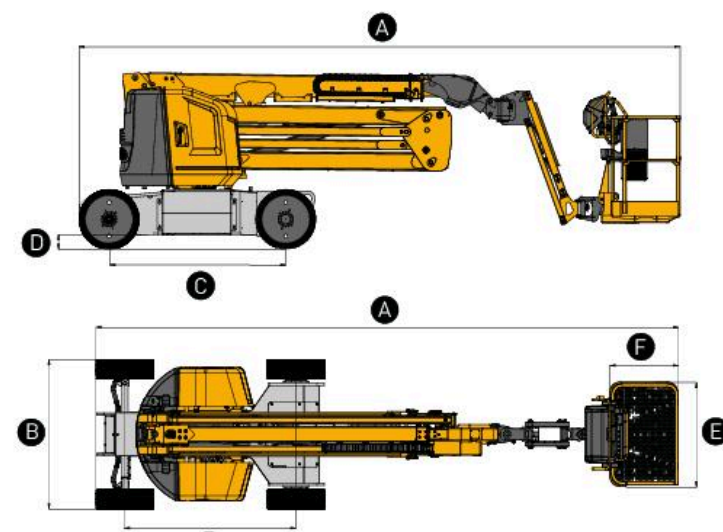
SIGMA 16

SIGMA 16 PRO

ELECTRIC ARTICULATING BOOMS

TECHNICAL DATA

	SIGMA 16	SIGMA 16 PRO
Working height	16.1 m	15.7 m
Platform height	14.1 m	13.7 m
Horizontal outreach	8.35 m	8.05 m
Up and over clearance	7.4 m	
Lift capacity	230 kg (2 pers.)	
A Length	6.6 m	6.65 m
B Width	1.75 m	
C Wheelbase	2 m	
D Ground clearance	17 cm	
E x F Platform size	1.2 x 0.8 m	
Height - stowed	2 m	
A Storage / transport length	6.6 m	6.65 m
Tailswing	0 cm	
Vertical jib rotation	-65° / +65°	
Horizontal jib rotation	N/A	-55° / +55°
Platform rotation	-85° / +85°	
Turntable rotation	355 °	
Tilt	4°/4°	
Proportional drive speed	5 km/h	
Maximum wind speed rating	45 km/h	
Gradeability	25 %	
Turning radius - outside	3.9 m	
Tyres - non marking	676 x 231 mm	
Weight	6 900 kg	6 950 kg
Batteries	8 x 6 V - 435 Ah (C20)	



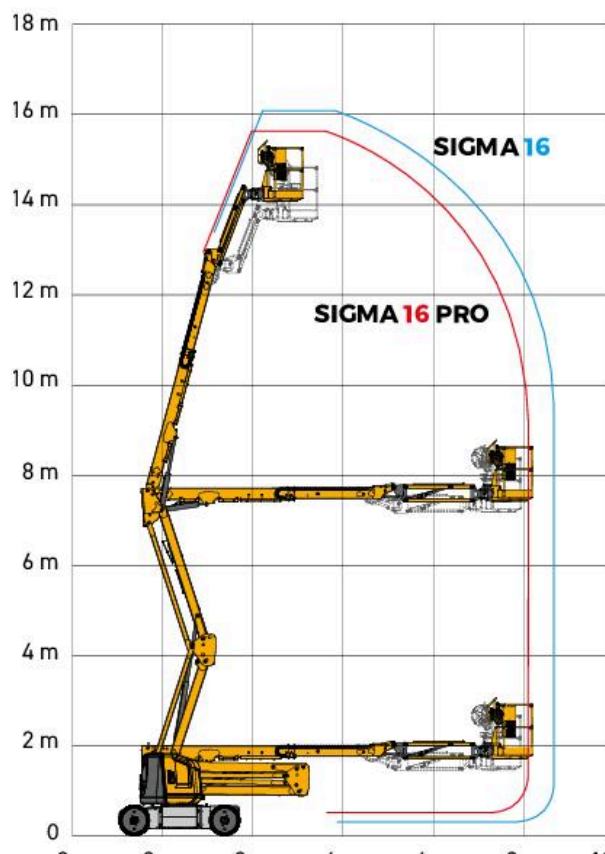
STANDARD EQUIPMENTS

- > Jib with horizontal rotation (PRO model)
- > 2 wheel drive / 2 wheel steer
- > AC motors
- > 48V battery pack
- > Haulotte Activ'Energy Management: smart battery management system
- > Haulotte Activ'Shield Bar 2.0*
- > Haulotte Activ'Lighting System for safe loading in low visibility conditions*
- > Haulotte Activ'Screen: embedded diagnostic system, with color screen
- > Upper control box cover*
- > Tool tray*
- > 1.2 m wide basket
- > Drop bar entry
- > Large solid, non-marking industrial tires
- > AC power to basket
- > Lockable battery circuit breaker
- > Motion alarm

OPTIONS AND ACCESSORIES

- > Side swing door + front drop bar
- > 1.5 m basket
- > Cones holder
- > Fluorescent tube holder
- > Basket plug (110 / 230 V)
- > Cold countries hydraulic oil
- > Haulotte Activ'Energy Management: manual or automatic battery water-filling system
- > USB plug
- > Telematics solutions

* Optional on SIGMA 16 model





-2 m 0 m 2 m 4 m 6 m 8 m 10 m

Rue Emile Zola - 42420 Lorette - France · Tel: +33 (0)4 77 29 24 24 · Fax: +33 (0)4 77 29 43 95 ·
haulotte@haulotte.com · www.haulotte.com

