

SIGMA 46 SIGMA 46 PRO



BOOST YOUR PRODUCTIVITY

- > Best working envelope with the longest outreach and highest up & over clearance
- > Simultaneous movements provide quick access to the work area
- > Versatility indoor & outdoor on firm surfaces
- > High load capacity of 500 lb

MOVE WITH AGILITY

- > Jib with horizontal rotation provides access to the most inaccessible places (PRO model)
- > Zero tailswing and tight turning radius makes it easy to move in confined spaces
- > Precise & smooth movements

RELIABLE SERVICEABILITY

- > Haulotte Activ'Energy Management takes care of your battery
- > Haulotte Activ'Screen: on-board configuration & diagnostic interface

WORK SAFELY

- > Haulotte Activ'Shield Bar*
- > Haulotte Activ'Lighting System*

* Optional on Sigma 46 model

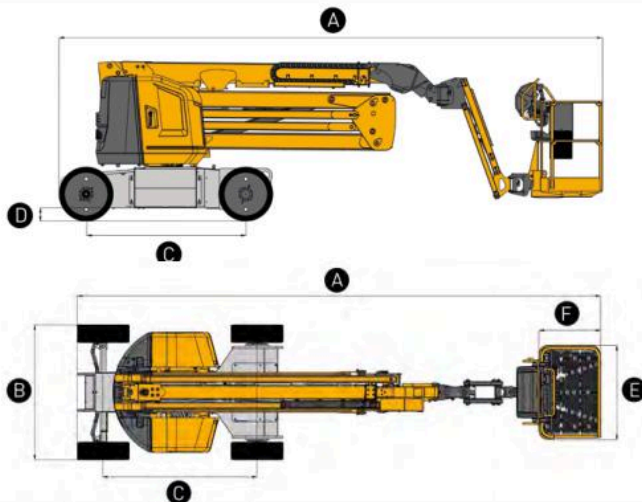


SIGMA 46 SIGMA 46 PRO

ELECTRIC ARTICULATING BOOMS

TECHNICAL DATA

	SIGMA 46	SIGMA 46 PRO
Working height	52 ft 9 in	51 ft 6 in
Platform height	46 ft 3 in	44 ft 11 in
Horizontal outreach	27 ft 5 in	26 ft 5 in
Up and over clearance	24 ft 3 in	
Lift capacity	500 lb (2 pers.)	
A Length	21 ft 8 in	21 ft 10 in
B Width	5 ft 9 in	
C Wheelbase	6 ft 7 in	
D Ground clearance	7 in	
E x F Platform size	3 ft 11 in x 2 ft 7 in	
Height - stowed	6 ft 7 in	
A Length - transport	21 ft 8 in	21 ft 10 in
Tailswing	0 in	
Vertical jib rotation	-65° /+65°	
Horizontal jib rotation	N/A	-55° /+55°
Platform rotation	-85° /+85°	
Turntable rotation	355 °	
Tilt alarm	4°/4	
Drive speed	3.1 mph	
Maximum wind speed rating	28 mph	
Gradeability	25 %	
Turning radius - outside	12 ft 10 in	
Tires	27 x 10 in	
Weight	15,215 lb	15,325 lb
Batteries	8 x 6 V - 435 Ah (C20)	



STANDARD EQUIPMENT

- > 3D horizontal jib (PRO model)
- > 2 wheel drive / 2 wheel steer
- > AC motors
- > 48V battery pack
- > Haulotte Activ'Energy Management: smart battery management system
- > Haulotte Activ'Shield Bar 2.0 *
- > Haulotte Activ'Lighting System for safe loading in low visibility conditions *
- > Haulotte Activ'Screen, embedded diagnostic system, with color screen
- > Upper control box cover *
- > Tool tray *
- > 3 ft 11 in width basket
- > Drop bar entry
- > Large solid, non-marking industrial tires
- > AC power to basket
- > Lockable battery circuit breaker
- > Motion alarm

OPTIONS AND ACCESSORIES

- > Side swing door + front drop bar
- > 4 ft 9 in basket
- > Cones holder
- > Fluorescent tube holder
- > Basket plug (110 / 230 V)
- > Cold weather hydraulic oil
- > Haulotte Activ'Energy Management : manual or automatic battery water-filling system
- > USB plug
- > Telematics solutions

* Optional on Sigma 46 model

