



# Illustrated Parts Manual

## **Models**

**CM2033**

**CM2046**

**CM2546**

**CM2558**

*P/N - 3120573*

*October, 1995*

**ANSI**



An Oshkosh Corporation Company



# TABLE OF CONTENTS

SECTION 1 - 1 FRAME.....	5
FIGURE 1-1. FRAME, STEERING AND DRIVE INSTALLATION .....	6
FIGURE 1-2. DRIVE MOTOR ASSEMBLIES .....	12
FIGURE 1-3. REAR AXLE AND BRAKE INSTALLATIONS (PRIOR TO MARCH 1992).....	14
FIGURE 1-4. REAR AXLE AND BRAKE INSTALLATIONS (MARCH 1992 TO PRESENT) .....	18
FIGURE 1-5. FRAME MOUNTED COMPONENTS INSTALLATION .....	20
SECTION 2 - 2 GROUND COMPONENTS.....	23
FIGURE 2-1. COVERS, CONTROLS, TANK AND VALVES INSTALLATION.....	24
FIGURE 2-2. CONTROL VALVE ASSEMBLY - HYDRO-AIR (MACHINES WITH BANG-BANG DRIVE BUILT PRIOR TO JUNE 1992) .....	30
FIGURE 2-3. CONTROL VALVE ASSEMBLY - HYDRO-AIR (MACHINES WITH BANG-BANG DRIVE BUILT JUNE 1992 TO PRESENT) .....	34
FIGURE 2-4. CONTROL VALVE ASSEMBLY - HYDRO-AIR (MACHINES WITH PROPORTIONAL DRIVE).....	36
FIGURE 2-5. CONTROL VALVE ASSEMBLY - HYDRO AIR (HYDRAULICALLY EXTENDED DECK OPTION).....	40
FIGURE 2-6. BATTERIES AND CHARGES INSTALLATION .....	42
FIGURE 2-7. BATTERY CHARGER ASSEMBLY .....	46
FIGURE 2-8. UL LISTED COMPONENTS INSTALLATION - GROUND COMPONENTS .....	48
SECTION 3 - 3 SCIZZOR ARMS .....	53
FIGURE 3-1. SIZZOR ARMS INSTALLATION (CM2033,CM2046).....	54
FIGURE 3-2. SIZZOR ARMS INSTALLATION (CM2546,CM2558).....	58
SECTION 4 - 4 PLATFORM.....	61
FIGURE 4-1. STANDARD HANDRAILS AND ACCESSORIES INSTALLATIONS.....	62
FIGURE 4-2. OPTIONAL FOLD-DOWN HANDRAIL INSTALLATIONS .....	68
FIGURE 4-3. OPTIONAL EXTENDABLE DECK INSTALLATION WITH STANDARD HANDRAILS.....	72
FIGURE 4-4. OPTIONAL EXTENDABLE DECK INSTALLATION WITH FOLD-DOWN HANDRAILS .....	74
FIGURE 4-5. OPTIONAL HYDRAULICALLY EXTENDED DECK INSTALLATION, WITH STANDARD HANDRAILS .....	76
FIGURE 4-6. OPTIONAL HYDRAULICALLY EXTENDED DECK INSTALLATION, WITH FOLD-DOWN HANDRAILS .....	80
FIGURE 4-7. STEEL PLATFORM CONSOLE BOX ASSEMBLY .....	84
FIGURE 4-8. MOLDED PLATFORM CONSOLE BOX ASSEMBLY .....	88
SECTION 5 - 5 CYLINDERS.....	91
FIGURE 5-1. BRAKE CYLINDER ASSEMBLY (PRIOR TO MARCH 1992).....	92
FIGURE 5-2. BRAKE CYLINDER ASSEMBLY (MARCH 1992 TO PRESENT) .....	94
FIGURE 5-3. LIFT CYLINDER SUB-ASSEMBLY.....	96
FIGURE 5-4. PLATFORM EXTENSION C YLINDER ASSEMBLY (HYDRAULICALLY EXTENDED DECK OPTION) (STANDARD PARTS) .....	100
FIGURE 5-5. STEER CYLINDER ASSEMBLY.....	102
SECTION 6 - 6 HYDRAULICS .....	105
FIGURE 6-1. HYDRAULIC DIAGRAM - BANG-BANG DRIVE .....	106
FIGURE 6-2. HYDRAULIC DIAGRAM - PROPORTIONAL DRIVE .....	110
SECTION 7 - 7 ELECTRICAL .....	113
FIGURE 7-1. ELECTRICAL DIAGRAMS AND COMPONENTS CHART .....	114

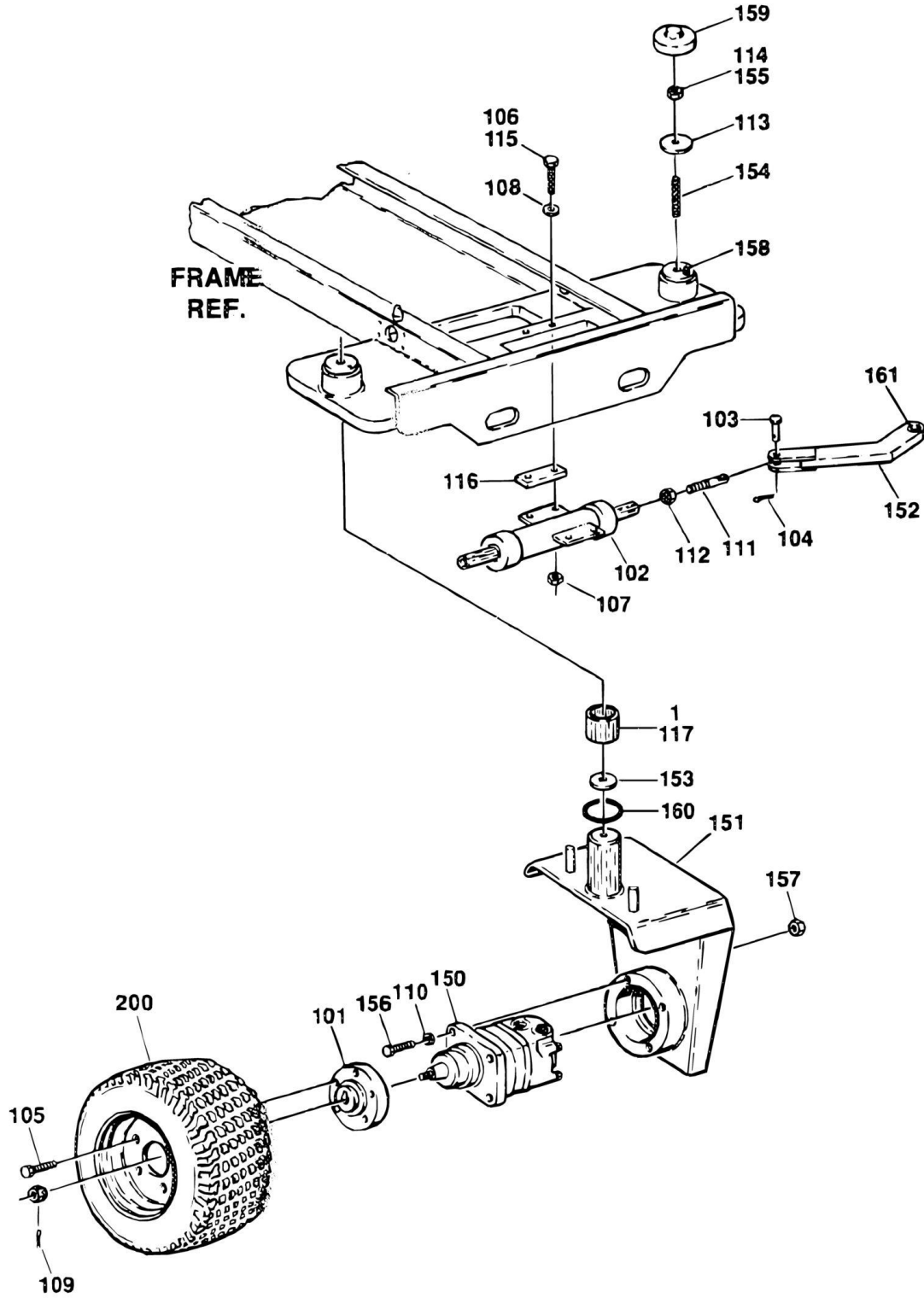
# TABLE OF CONTENTS

FIGURE 7-2. ELECTRICAL DIAGRAM - TOGGLE SWITCH DRIVE.....	120
FIGURE 7-3. ELECTRICAL DIAGRAM - PQ CONTROLLER BANG-BANG DRIVE.....	122
FIGURE 7-4. ELECTRICAL DIAGRAM - PQ CONTROLLER PROPORTIONAL DRIVE.....	124
FIGURE 7-5. ELECTRICAL DIAGRAM - CIRCUIT CARDS.....	126
FIGURE 7-6. MAIN ELECTRICAL CONNECTOR AND TOOLS.....	128
SECTION 8 - 8 DECALS .....	131
FIGURE 8-1. DECALS INSTALLATION - DOMESTIC.....	132
FIGURE 8-2. DECALS INSTALLATION - LATIN AMERICAN.....	136
SECTION 9 - RECOMMENDED SERVICE PARTS STOCK.....	139
FIGURE 9-1. STANDARD PARTS.....	140
FIGURE 9-2. VARIABLE PARTS .....	142
PART NUMBER INDEX.....	143

**SECTION 1 - 1 FRAME**

# SECTION 1 - 1 FRAME

## FIGURE 1-1. FRAME, STEERING AND DRIVE INSTALLATION



# SECTION 1 - 1 FRAME

## FIGURE 1-1. FRAME, STEERING AND DRIVE INSTALLATION

ITEM	PART NUMBER	QTY	DESCRIPTION	REV
		Ref	<b>FRAME, STEERING AND DRIVE INSTALLATION</b>	
		Ref	<b>FRAME WELDMENTS (PRIOR TO MARCH 1992)</b>	
	2360323	1	Frame - Standard (CM2033)	
	2360342	1	Frame - Optional with Lifting Lugs (CM2033)	
	2360327	1	Frame - Standard (CM2033,CM2546)	
	2360354	1	Frame - Optional with Lifting Lugs (CM2046,CM2546)	
	2360328	1	Frame - Standard (CM2558)	
		Ref	All Frames Include:	
1	0961482	2	Bushing, Bronze	
		Ref	<b>FRAME WELDMENTS (MARCH 1992 TO PRESENT)</b>	
	2360343	1	Frame - Standard (CM2033)	
	2360346	1	Frame - Optional with Lifting Lugs (CM2033)	
	2360355	1	Frame - Standard (CM2046,CM2546)	
	2360359	1	Frame - Optional with Lifting Lugs (CM2046,CM2546)	
	2360356	1	Frame - Standard (CM2558)	
	2360362	1	Frame - Optional with Lifting Lugs (CM2558)	
		Ref	All Frames Include	
1	0961615	1	Bushing, Bronze (CM2046,CM2546,CM2558)	
1	0961626	4	Bushing, Bronze (CM2033)	
		Ref	<b>STEERING AND DRIVE INSTALLATION (STANDARD PARTS)</b>	
101	2780165	2	Hub	
102	1682996	1	Steer Cylinder Assembly - Prior to August 1995 (See CYLINDERS SECTION for Breakdown) (CM2033)	
102	1682997	1	Steer Cylinder Assembly - Prior to August 1995 ( See Cylinder Section for Breakdown) (CM2046,CM2546,CM2558)	
102	1683408	1	Steer Cylinder Assembly - All Machines August 1995 to Present (See CYLINDERS SECTION for Breakdown)	
103	3430612	2	Pin, Clevis 3/8in (.8cm) x 1 1/2in (3.8cm)	
104	3450404	2	Pin, Cotter 1/8in (.3cm) x 1in (2.5cm)	
105	0630305	10	Bolt, Wheel	
106	0641618	2	Bolt 3/8in - 16NC x 2 1/4in (Front Location)	
107	3311605	4	Locknut 3/8in - 16NC	
108	4711600	4	Flatwasher 3/8in Narrow	
109	3450406	2	Pin, Cotter 1/8in (.3cm) x 1 1/2in (3.8cm)	
110	4761800	8	Lockwasher 1/2in	
111	0361928	2	Rod, Adjusting	
112	3322202	2	Nut, Jam 3/4in - 16NF	
113	4752000	2	Flatwasher 5/8in	
114	0100011	AR	Loctite	
115	0641612	2	Bolt 3/8in - 16NC x 1 1/2in (Rear Location)	
116	4070769	1	Shim, Cylinder Mounting	
117	3020010	AR	Lubricant, "Neverseez"	
	0251102	Ref	<b>STEERING AND DRIVE INSTALLATION (PRIOR TO MARCH 1992) (VARIABLE PARTS) (CM2033)</b>	G
150	3160173	2	Drive Motor Assembly (See DRIVE MOTOR ASSEMBLY for Breakdown) (CM2033)	
151	4130238	2	Spindle Weldment (CM2033)	
152	1360227	2	Clevis Weldment (CM2033)	
153	4740375	2	Washer, Thrust (CM2033)	
154	4300095	2	Stud 5/8in - 11NC x 2 1/4in (CM2033)	
155	3312005	2	Locknut 5/8in - 11NC (CM2033)	

# SECTION 1 - 1 FRAME

ITEM	PART NUMBER	QTY	DESCRIPTION	REV
156	0641816	8	Bolt 1/2in - 13NC x 2in (CM2033)	
157	3311801	8	Nut 1/2in - 13NC (CM2033)	
158	2160006	2	Fitting, Grease (CM2033)	
159 to 161	Not Required	0	Not Required (CM2033)	
	0252219	Ref	<b>STEERING AND DRIVE INSTALLATIOIN (MARCH 1992 TO AUGUST 1994) (VARIABLE PARTS) (CM2033)</b>	C
	Note	1	<b>Note: SN 12544, 12544-12557, 12574-12586, 12722-12748 machines built May-July use 1360261 celvis, 0961931 bushing &amp; 4130269 spindle. (CM2033)</b>	
151	3160173	1	Drive Motor Assembly (See DRIVE MOTOR ASSEMBLIES for Breakdown) (CM2033)	
151	4130269	2	Spindle Weldment (CM2033)	
152	1360227	2	Clevis Weldment (Use 1360261 Clevis & 0961931 Bushing as Replacement) (CM2033)	
153	4740419	2	Washer, Thrust (CM2033)	
154	4300093	2	Stud 3/8in - 16NC x 2in (CM2033)	
155	3311605	2	Locknut 3/8in - 16NC (CM2033)	
156	0641816	8	Bolt 1/2in-13NC x 2in (CM2033)	
157	3311801	8	Nut 1/2in – 13NC (CM2033)	
158	Not Required	0	Not Required (CM2033)	
159	1120417	2	Cap, Plastic (CM2033)	
160	Not Required	0	Not Required (CM2033)	
161	Not Required	0	Not Required (CM2033)	
	0255021	Ref	<b>STEERING AND DRIVE INSTALLATIOIN AUGUST 1994 TO PRESENT (VARIABLE PARTS) (CM2033)</b>	A
150	3160173	2	Drive Motor Assembly (See DRIVE MOTOR ASSEMBLIES for Breakdown) (CM2033)	
151	4130321	2	Spindle Weldment (CM2033)	
152	1360261	2	Clevis Weldment (CM2033)	
153	4740419	2	Washer, Thrust (CM2033)	
154	4300093	2	Stud 3/8in – 16NC x 2in (CM2033)	
155	3311605	2	Locknut 3/8in – 16NC (CM2033)	
156	0641816	8	Bolt 1/2in-13NC x 2in (CM2033)	
157	3311801	8	Nut 1/2in – 13NC (CM2033)	
158	2160006	2	Fitting, Grease (CM2033)	
159	1120417	2	Cap, Plastic (CM2033)	
160	3780166	2	O-Ring (CM2033)	
161	0961931	2	Bushing, Fiberglide (CM2033)	
	0251383	Ref	<b>STEERING AND DRIVE INSTALLATION (PRIOR TO MARCH 1992) (VARIABLE PARTS) (CM2046)</b>	G
150	3160173	2	Drive Motor Assembly (See DRIVE MOTOR ASSEMBLY for Breakdown) (CM2046)	
151	4130241	2	Spindle Weldment (CM2046)	
152	1360229	2	Clevis Weldment (CM2046)	
153	4740375	2	Washer , Thrust (CM2046)	
154	4300095	2	Stud 5/8in – 11NC x 2 1/4in (CM2046)	
155	3312005	2	Locknut 5/8in – 11NC (CM2046)	
156	0641814	8	Bolt 1/2in - 13NC x 1 3/4in (CM2046)	
157	Not Required	0	Not Required (CM2046)	
158	2160006	2	Fitting, Grease (CM2046)	
159 to 161	Not Required	0	Not Required (CM2046)	
	0252701	Ref	<b>STEERING AND DRIVE INSTALLATIOIN (MARCH 1992 TO AUGUST 1994) (VARIABLE PARTS) (CM2046)</b>	C

## SECTION 1 - 1 FRAME

ITEM	PART NUMBER	QTY	DESCRIPTION	REV
150	3160173	2	Drive Motor Assembly (See DRIVE MOTOR ASSEMBLIES for Breakdown) (CM2046)	
151	4130285	2	Spindle Weldment (CM2046)	
152	1360229	2	Clevis Weldment (Use 1360262 Clevis & 0961931 Bushing as replacement) (CM2046)	
153	4740418	2	Washer, Thrust (CM2046)	
154	4300095	2	Stud 5/8in – 11NC x 2 1/4in (CM2046)	
155	3312005	2	Locknut 5/8in – 11NC (CM2046)	
156	0641814	8	Bolt 1/2in-13NC x 1 3/4in (CM2046)	
157	Not Required	0	Not Required (CM2046)	
158	Not Required	0	Not Required (CM2046)	
159	1120418	2	Cap, Plastic (CM2046)	
160	Not Required	0	Not Required (CM2046)	
161	Not Required	0	Not Required (CM2046)	
	0255022	Ref	<b>STEERING AND DRIVE INSTALLATION (AUGUST 1994 TO PRESENT) (VARIABLE PARTS) (CM2046)</b>	B
150	3160173	2	Drive Motor Assembly (See DRIVE MOTOR ASSEMBLIES for Breakdown) (CM2046)	
151	4130323	2	Spindle Weldment (CM2046)	
152	1360262	2	Clevis Weldment (CM2046)	
153	4740418	2	Washer, Thrust (CM2046)	
154	4300095	2	Stud 5/8in – 11NC x 2 1/4in (CM2046)	
155	3312005	2	Locknut 5/8in – 11NC (CM2046)	
156	0641814	8	Bolt 1/2in-13NC x 1 3/4in (CM2046)	
157	Not Required	0	Not Required (CM2046)	
158	2160006	2	Fitting, Grease (CM2046)	
159	1120418	2	Cap, Plastic (CM2046)	
160	3760379	2	O-Ring (CM2046)	
161	0961931	2	Bushing, Fiberglide (CM2046)	
	0251384	Ref	<b>STEERING AND DRIVE INSTALLATION (PRIOR TO MARCH 1992) (VARIABLE PARTS) (CM2546)</b>	F
150	3160155	2	Drive Motor Assembly (See DRIVE MOTOR ASSEMBLY for Breakdown) (CM2546)	
151	4130241	2	Spindle Weldment (CM2546)	
152	1360229	2	Clevis Weldment (CM2546)	
153	4740375	2	Washer, Thrust (CM2546)	
154	4300095	2	Stud 5/8in – 11NC x 2 1/4in (CM2546)	
155	3312005	2	Locknut 5/8in – 11NC (CM2546)	
156	0641814	8	Bolt 1/2in-13NC x 1 3/4in (CM2546)	
157	Not Required	0	Not Required (CM2546)	
158	2160006	2	Fitting, Grease (CM2546)	
159 to 161	Not Required	0	Not Required (CM2546)	
	0253094	Ref	<b>STEERING AND DRIVE INSTALLATION (MARCH 1992 TO AUGUST 1994) (VARIABLE PARTS) (Note: SN 12712-12721 machines built May-July 1994 use 1360262 celvis, 0961931 bushing &amp; 4130285 spindle.) (CM2546)</b>	B
150	3160155	2	Drive Motor Assembly (See DRIVE MOTOR ASSEMBLIES for Breakdown) (CM2546)	
151	4130285	2	Spindle Weldment (CM2546)	
152	1360229	2	Clevis Weldment (Use 1360262 clevis & 0961931 bushing as replacement) (CM2546)	
153	4740418	2	Washer, Thrust (CM2546)	
154	4300095	2	Stud, 5/8in- 11NC x 2 1/4in (CM2546)	
155	3312005	2	Locknut 5/8in-11NC (CM2546)	

# SECTION 1 - 1 FRAME

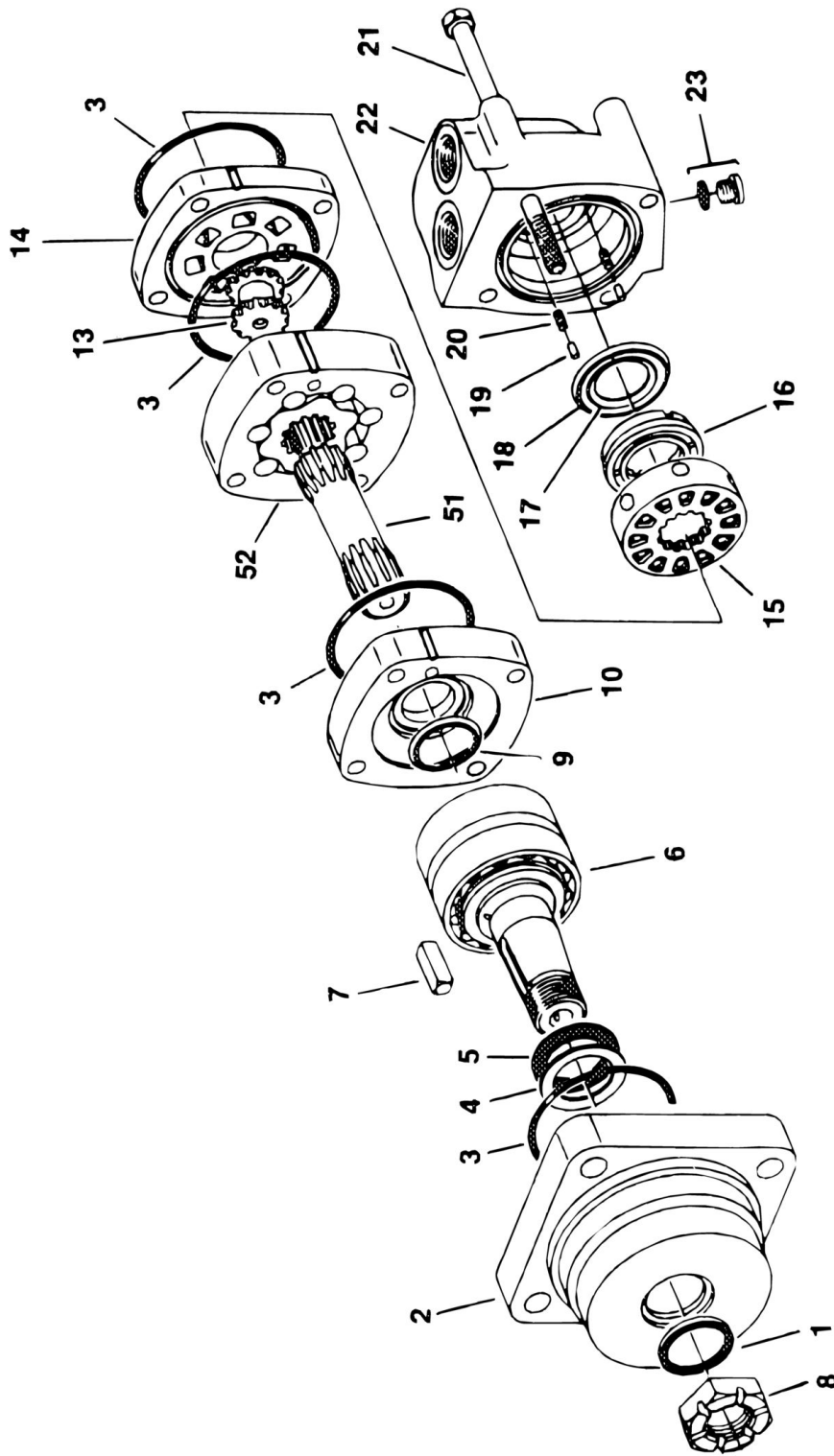
ITEM	PART NUMBER	QTY	DESCRIPTION	REV
156	0641814	8	Bolt 1/2in-13NC x 1 3/4in (CM2546)	
157	Not Required	0	Not Required (CM2546)	
158	Not Required	0	Not Required (CM2546)	
159	1120418	2	Cap, Plastic (CM2546)	
160	Not Required	0	Not Required (CM2546)	
161	Not Required	0	Not Required (CM2546)	
	0255023	Ref	<b>STEERING AND DRIVE INSTALLATION (AUGUST 1994 TO PRESENT) (VARIABLE PARTS) (CM2546)</b>	C
150	3160155	2	Drive Motor Assembly (See DRIVE MOTOR ASSEMBLIES for Breakdown) (CM2546)	
151	4130323	2	Spindle Weldment (CM2546)	
152	1360262	2	Clevis Weldment (CM2546)	
153	4740418	2	Washer, Thrust (CM2546)	
154	4300095	2	Stud 5/8in-11NC (CM2546)	
155	3312005	8	Locknut 5/8in – 11NC (CM2546)	
156	0641814	8	Bolt 1/2in- 13NC x 1 3/4in (CM2546)	
157	Not Required	0	Not Required (CM2546)	
158	2160006	2	Fitting, Grease (CM2546)	
159	1120418	2	Cap, Plastic (CM2546)	
160	3760379	2	O-Ring (CM2546)	
161	0961931	2	Bushing, Fiberglide (CM2546)	
	0251389	Ref	<b>STEERING AND DRIVE INSTALLATION (PRIOR TO MARCH 1992) (VARIABLE PARTS) (CM2558)</b>	G
150	3160155	2	Drive Motor Assembly (See DRIVE MOTOR ASSEMBLIES for Breakdown) (CM2558)	
151	4130242	2	Spindle Weldment (CM2558)	
152	1360230	2	Clevis Weldment (CM2558)	
153	4740375	2	Washer, Thrust (CM2558)	
154	4300095	2	Stud, 5/8in-11NC x 2 1/4in (CM2558)	
155	3312005	2	Locknut 5/8in – 11NC (CM2558)	
156	0641814	8	Bolt 1/2in-13NC x 1 3/4in (CM2558)	
157	Not Required	0	Not Required (CM2558)	
158	2160006	1	Fitting, Grease (CM2558)	
159 to 161	Not Required	0	Not Required (CM2558)	
	0252702	Ref	<b>STEERING AND DRIVE INSTALLATION (MARCH 1992 TO AUGUST 1994) (VARIABLE PARTS) (CM2558)</b>	C
150	3160155	2	Drive Motor Assembly (See DRIVE MOTOR ASSEMBLIES for Breakdown) (CM2558)	
151	4130284	2	Spindle Weldment (CM2558)	
152	1360230	2	Clevis Weldment (Use 1360263 clevis & 0961931 bushing as replacement) (CM2558)	
153	4740418	2	Washer, Thrust (CM2558)	
154	4300095	2	Stud 5/8in-11NC x 2 1/4in (CM2558)	
155	3312005	2	Locknut 5/8in – 11NC (CM2558)	
156	0641814	8	Bolt 1/2in-13NC x 1 3/4in (CM2558)	
157	Not Required	0	Not Required (CM2558)	
158	Not Required	0	Not Required (CM2558)	
159	1120418	2	Cap, Plastic (CM2558)	
160	Not Required	0	Not Required (CM2558)	
161	Not Required	0	Not Required (CM2558)	
	0255024	Ref	<b>STEERING AND DRIVE INSTALLATION (AUGUST 1994 TO PRESENT) (VARIABLE PARTS) (CM2558)</b>	B

## SECTION 1 - 1 FRAME

ITEM	PART NUMBER	QTY	DESCRIPTION	REV
150	3160155	2	Drive Motor Assembly (See DRIVE MOTOR ASSEMBLIES for Breakdown) (CM2558)	
151	4130322	2	Spindle Weldment (CM2558)	
152	1360263	2	Clevis Weldment (Use 1360263 clevis & 0961931 bushing as replacement) (CM2558)	
153	4740418	2	Washer, Thrust (CM2558)	
154	4300095	2	Stud 5/8in – 11NC x 2 1/4in (CM2558)	
155	3312005	2	Locknut 5/8in – 11NC (CM2558)	
156	0641814	8	Bolt 1/2in-13NC x 1 3/4in (CM2558)	
157	Not Required	0	Not Required (CM2558)	
158	2160006	2	Fitting, Grease (CM2558)	
159	1120418	2	Cap, Plastic (CM2558)	
160	3760379	2	O-Ring (CM2558)	
161	0961931	2	Bushing, Fiberglide (CM2558)	
		Ref	<b>TIRE ASSEMBLY OPTIONS (CM2558)</b>	
200	4520128	4	Tire - Solid (Standard) (CM2558)	
200	4520165	4	Tire - Non-Marketing (Optional) (CM2558)	
200	4520167	4	Tire - Foam-Filled (Optional) (CM2558)	

# SECTION 1 - 1 FRAME

## FIGURE 1-2. DRIVE MOTOR ASSEMBLIES



# SECTION 1 - 1 FRAME

## FIGURE 1-2. DRIVE MOTOR ASSEMBLIES

ITEM	PART NUMBER	QTY	DESCRIPTION	REV
		Ref	<b>DRIVE MOTOR ASSEMBLIES</b>	
		Ref	<b>DRIVE MOTOR ASSEMBLIES (STANDARD PARTS)</b>	
1	Kit	1	Seal, Dust	
2	7009931	1	Housing, Bearing	
3	Kit	4	Seal	
4	Kit	1	Ring, Back-up	
5	Kit	1	Seal, Shaft	
6	7009932	1	Shaft and Bearing	
7	7009933	1	Key	
8	7009934	1	Nut, Castle	
9	Kit	1	Seal, Shaft Face	
10	7009982	1	Plate, Wear	
13	7009905	1	Drive, Valve	
14	7009983	1	Plate, Valve	
15	7009927	1	Valve	
16	7009909	1	Ring, Balance	
17	Kit	1	Seal, Face - Inner	
18	Kit	1	Seal, Face - Outer	
19	7009912	2	Pin	
20	7009913	2	Spring	
21	7009929	4	Bolt	
22	7009930	1	Housing, Valve	
23	7002157	1	Plug Assembly	
	3160155	Ref	<b>DRIVE MOTOR ASSEMBLIES (VARIABLE PARTS) (CM2546,CM2558)</b>	
51	7009922	1	Drive (CM2546,CM2558)	
52	7009925	1	Geroler (CM2546,CM2558)	
	3160173	Ref	<b>DRIVE MOTOR ASSEMBLIES (VARIABLE PARTS) (CM2033,CM2046)</b>	
51	7009979	1	Drive (CM2033,CM2046)	
52	7009980	1	Geroler (CM2033,CM2046)	
	2900699	1	Seal Kit (Includes Items 1,3,4,5,9,17 & 18)	



## SECTION 1 - 1 FRAME

**FIGURE 1-3. REAR AXLE AND BRAKE INSTALLATIONS (PRIOR TO MARCH 1992)**

ITEM	PART NUMBER	QTY	DESCRIPTION	REV
		Ref	<b>REAR AXLE AND BRAKE INSTALLATIONS (PRIOR TO MARCH 1992)</b>	
	0280120	Ref	<b>AXLE ASSEMBLY (CM2033)</b>	A
	0280121	Ref	<b>AXLE ASSEMBLY (CM2046,CM2546)</b>	A
	0280122	Ref	<b>AXLE ASSEMBLY (CM2558)</b>	A
1	Not Serviced	1	Tube, Axle	
2	Not Serviced	2	Spindle	
3	7010641	2	Nut, Spindle	
4	7010642	2	Pin, Cotter	
5	7010643	2	Washer	
6	7010644	2	Hub Assembly	
7	Kit	2	Cup, Bearing (Outer) (1 Per Hub)	
8	Kit	2	Cup, Bearing (Inner) (1 Per Hub)	
9	7012613	10	Stud, Wheel 1/2in-20NF	
10	7010645	10	Lugnut 1/2in-20NF	
11	Kit	2	Cone, Bearing (Outer)	
12	Kit	2	Cone, Bearing (Inner)	
13	7010648	2	Cap, Dust	
14	Kit	2	Seal, Hub	
	2900778	2	Bearing Kit (Includes Qty 1 of Items 7, 8, 11, 12 & 14)	
		Ref	<b>BRAKE INSTALLATIONS (STANDARD PARTS)</b>	
101	1682445	1	Brake Cylinder Assembly (See CYLINDER SECTION for Breakdown)	
102	0641620	1	Bolt 3/8in-16NC x 2 1/2in	
103	4751600	2	Flatwasher 3/8in	
104	3311605	1	Locknut 3/8in-16NC	
105	3322202	1	Nut, Jam 3/4in-16NF	
106	1360231	1	Clevis	
107	0641624	1	Bolt 3/8in-16NC x 3in	
108	4751600	4	Flatwasher 3/8in	
109	3311601	1	Nut, 3/8in - 16NC	
110	3311602	1	Nut, Jam 3/8in-16NC	
111	3534818	1	Lever, Release	
112	0641614	1	Bolt 3/8in - 16NC x 1 3/4in	
113	4751600	2	Flatwasher 3/8in	
114	3311601	2	Nut 3/8in-16NC	
115	3010099	2	Link, Brake	
116	0641612	1	Bolt 3/8in-16NC x 1 1/2in	
117	4751600	2	Flatwasher 3/8in	
118	3311605	1	Locknut 3/8in-16NC	
119	4600004	1	Turnbuckle	
120	3311401	1	Nut 1/4in-20NC	
121	4160096	1	Spring	
122	0630440	1	Eyebolt (Includes Nut Item 123)	
123	3311401	1	Nut 1/4in-20NC	
124	3440824	AR	Rollpin	
	0251118	Ref	<b>BRAKE INSTALLATION (VARIABLE PARTS) (CM2033)</b>	E
151	3841079	2	Rod, Brake (CM2033)	
	0251380	Ref	<b>BRAKE INSTALLATION (VARIABLE PARTS) (CM2046,CM2546)</b>	E

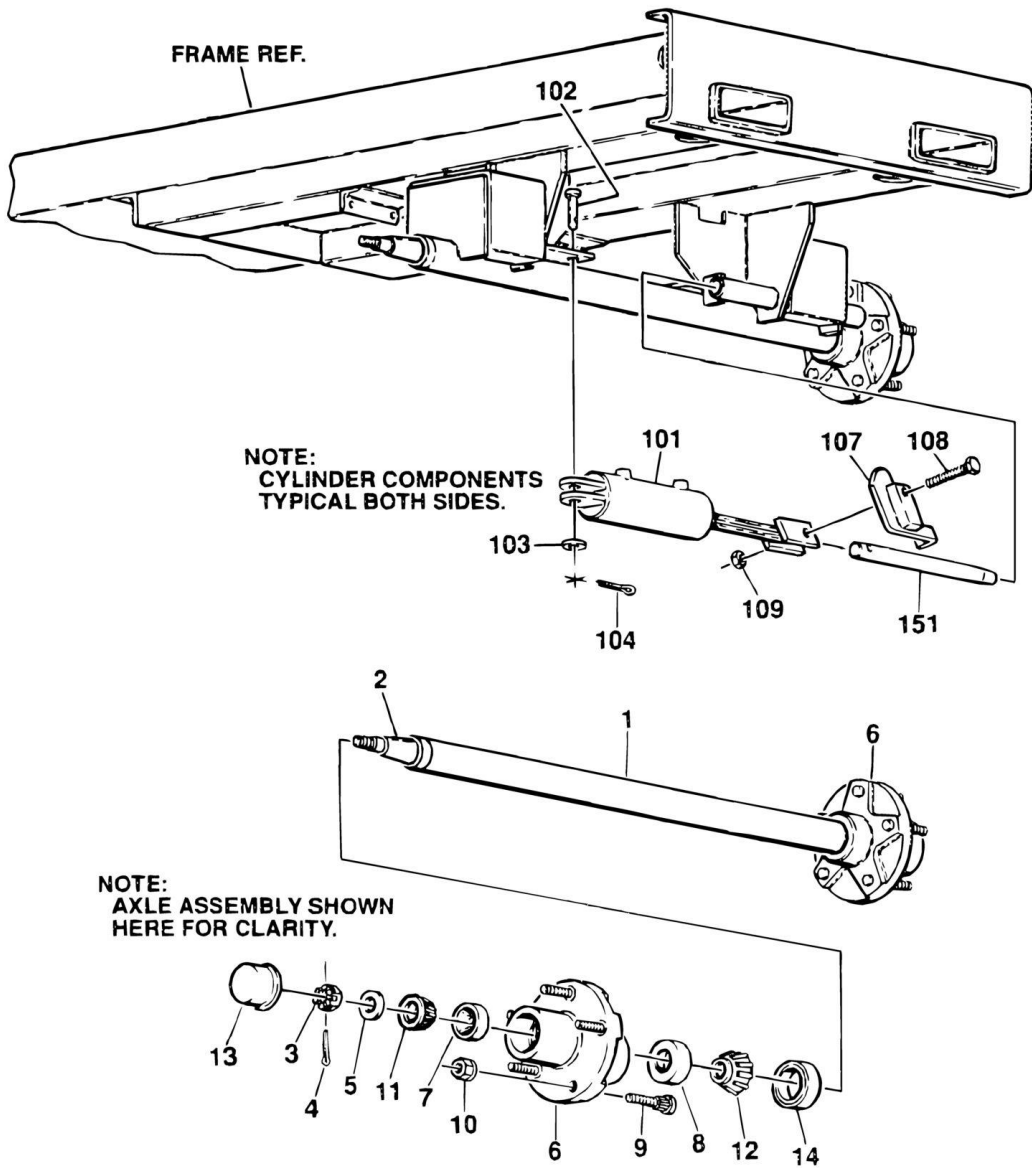
## SECTION 1 - 1 FRAME

ITEM	PART NUMBER	QTY	DESCRIPTION	REV
151	4843785	2	Rod, Brake (CM2046,CM2546)	E
	0251381	Ref	<b>BRAKE INSTALLATION (VARIABLE PARTS) (CM2558)</b>	
151	4843786	2	Rod, Brake (CM2033)	



# SECTION 1 - 1 FRAME

## FIGURE 1-4. REAR AXLE AND BRAKE INSTALLATIONS (MARCH 1992 TO PRESENT)



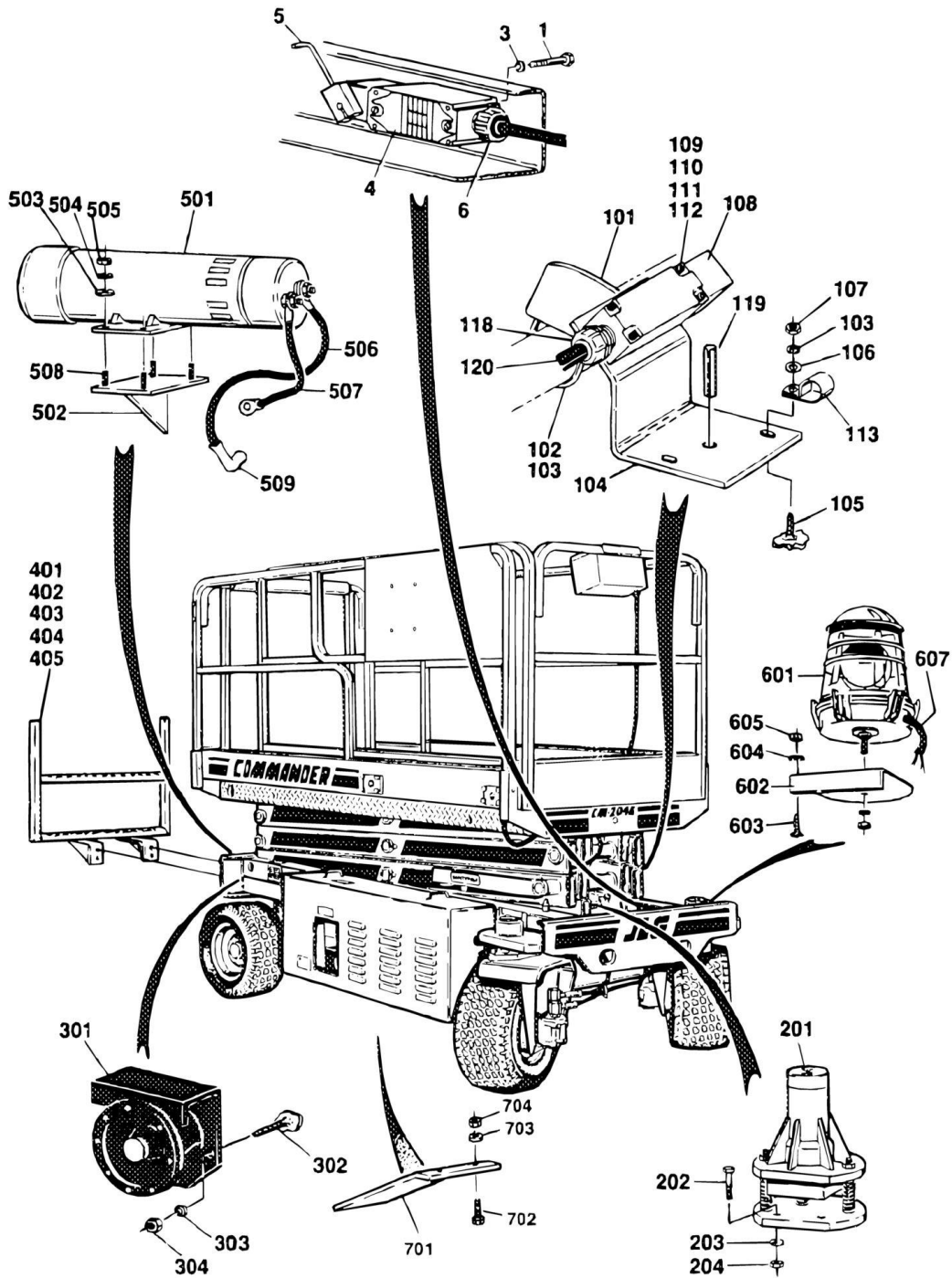
## SECTION 1 - 1 FRAME

**FIGURE 1-4. REAR AXLE AND BRAKE INSTALLATIONS (MARCH 1992 TO PRESENT)**

ITEM	PART NUMBER	QTY	DESCRIPTION	REV
		Ref	<b>REAR AXLE AND BRAKE INSTALLATIONS (MARCH 1992 TO PRESENT)</b>	
	0280120	Ref	<b>AXLE ASSEMBLY (CM2033)</b>	A
	0280121	Ref	<b>AXLE ASSEMBLY (CM2046,CM2546)</b>	A
	0280122	Ref	<b>AXLE ASSEMBLY (CM2558)</b>	A
1	Not Serviced	1	Tube, Axle	
2	Not Serviced	2	Spindle	
3	7010641	2	Nut, Spindle	
4	7010642	2	Pin, Cotter	
5	7010643	2	Washer	
6	7010644	2	Hub Assembly	
7	Kit	2	Cup, Bearing (Outer) (1 Per Hub)	
8	Kit	2	Cup, Bearing (Inner) (1 Per Hub)	
9	7012613	10	Stud, Wheel 1/2in-20NF	
10	7010645	10	Lugnut 1/2in-20NF	
11	Kit	2	Cone, Bearing (Outer)	
12	Kit	2	Cone, Bearing (Inner)	
13	7010648	2	Cap, Dust	
14	Kit	2	Seal, Hub	
	2900778	2	Bearing Kit (Includes Qty 1 of Items 7, 8, 11, 12 & 14)	
		Ref	<b>BRAKE INSTALLATIONS (STANDARD PARTS)</b>	
101	1683098	2	Brake Cylinder Assembly (See CYLINDER SECTION for Breakdown)	
102	3430616	2	Pin, Clevis	
103	4711600	2	Flatwasher 3/8in Narrow	
104	3450304	2	Pin, Cotter 3/32in (.2cm) x 1in (2.5cm)	
107	4844188	2	Cam Weldment	
108	0641624	2	Bolt 3/8in-16NC x 3in	
109	3311605	2	Locknut 3/8in-16NC	
	0252111	Ref	<b>BRAKE INSTALLATION (VARIABLE PARTS) (CM2033)</b>	C
151	3841129	2	Rod, Brake (CM2033)	
	0252700	Ref	<b>BRAKE INSTALLATION (VARIABLE PARTS) (CM2046,CM2546)</b>	B
151	3841169	2	Rod, Brake (CM2046,CM2546)	
	0252700	Ref	<b>BRAKE INSTALLATION (VARIABLE PARTS) (CM2558)</b>	B
151	3841170	2	Rod, Brake (CM2558)	

# SECTION 1 - 1 FRAME

## FIGURE 1-5. FRAME MOUNTED COMPONENTS INSTALLATION



# SECTION 1 - 1 FRAME

## FIGURE 1-5. FRAME MOUNTED COMPONENTS INSTALLATION

ITEM	PART NUMBER	QTY	DESCRIPTION	REV
		Ref	<b>FRAME MOUNTED COMPONENTS INSTALLATION</b>	
	0251338	Ref	<b>LIMIT SWITCH INSTALLATION - STANDARD</b>	
1	3900158	2	Screw, Machine #10-32NF x 5/8in	
3	4761000	2	Lockwasher #10	
4	4360057	1	Swith, Limit	
5	4360056	1	Lever, Switch	
6	4460052	1	Connector, Strain Relief	
	0252097	Ref	<b>DRIVE CUTOUT SWITCH (PRIOR TO AUGUST 1992)</b>	-
	0253491	Ref	<b>DRIVE CUTOUT SWITCH (AUGUST 1992 TO PRESENT)</b>	A
		Ref	<b>Standard (CM2046,CM2558)</b>	
		Ref	<b>Required with Non-Marketing Tires (CM2033)</b>	
		Ref	<b>Required with Foam-Filled Tires. (CM2546)</b>	
		Ref	<b>Required on Machines with Hydraulic Extendable Deck</b>	
101	4843962	1	Cam Weldment	
102	1320021	1	Clamp	
103	4761500	4	Lockwasher 5/16in	
104	0901786	1	Bracket, Switch Mounting	
105	4300038	2	Stud (Welded on Part)	
106	4751500	2	Flatwasher 5/16in	
107	3311501	2	Nut 5/16in-18NC	
108	4360300	1	Switch, Limit	
109	3930832	4	Screw, Machine #8-32NC x 2in	
110	4750800	4	Flatwasher #8	
111	4760800	4	Lockwasher #8	
112	3310801	4	Nut #8-32NC	
113	1320061	2	Clamp	
118	4460049	1	Connector, Strain Relief	
119	3440616	2	Rollpin 3/16in x 1in	
120	1060341	15 ft/4.6m	Cable, Electrical - 16/2	
		Ref	<b>TILT INDICATOR INSTALLATION (OPTIONAL)(STANDARD PARTS WHEN EQUIPPED)</b>	
201	4360303	1	Switch/Harness Assembly	
201	4360171	1	Sensor, Level - 5	
201	1060300	9 ft/2.7m	Cable, Electrical - 16/3	
202	0641407	2	Bolt 1/4in-20NC x 7/8in	
203	4761400	2	Lockwasher 1/4in	
204	3311401	2	Nut 1/4in-20NC	
	0252311	Ref	<b>TILT INDICATOR INSTALLATION (OPTIONAL PARTS WITH UL RATING "EE") (NOT SHOWN)</b>	A
	0670547	1	Cover, Tilt Switch	
	3535594	1	Plate, End Cover	
	2540015	1	Grommet	
	0251762	Ref	<b>DESCENT ALARM INSTALLATION</b>	B
	0254287	Ref	<b>DESCENT ALARM INSTALLATION (U/L)</b>	A
	0251761	Ref	<b>MOTION ALARM INSTALLATION - TOGGLE SWITCH DRIVE</b>	B
	0254285	Ref	<b>MOTION ALARM INSTALLATION -TOGGLE SWITCH DRIVE (U/L)</b>	B
	0254268	Ref	<b>MOTION ALARM INSTALLATION - PQ CONTROLLER DRIVE</b>	-
	0254288	Ref	<b>MOTION ALARM INSTALLATION - PQ CONTROLLER DRIVE (U/L)</b>	-

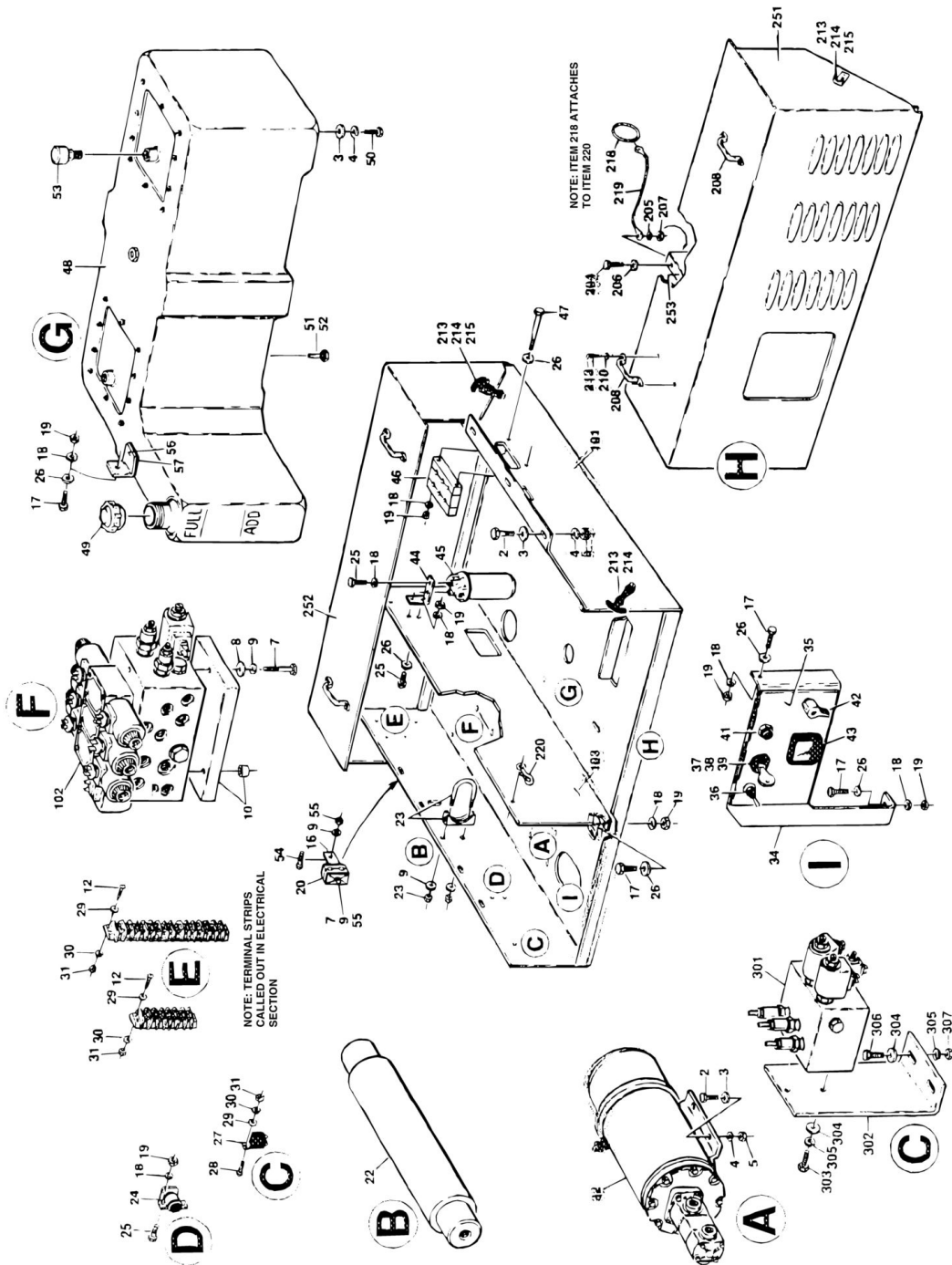
# SECTION 1 - 1 FRAME

ITEM	PART NUMBER	QTY	DESCRIPTION	REV
	0251760	Ref	<b>TRAVEL ALARM INSTALLATION - TOGGLE SWITCH DRIVE</b>	B
	0254286	Ref	<b>TRAVEL ALARM INSTALLATION - TOGGLE SWITCH DRIVE (U/L)</b>	A
	0254267	Ref	<b>TRAVEL ALARM INSTALLATION - PQ CONTROLLER DRIVE</b>	-
	0254289	Ref	<b>TRAVEL ALARM INSTALLATION - PQ CONTROLLER DRIVE (U/L)</b>	-
301		Ref	Alarm	
301	0140025	NLA	Alarm (No Longer Available - Use 0140033)	
301	0140033	1	Alarm (August 1993 to Present)	
302	4300038	2	Stud (Welded on Part)	
303	4761500	2	Lockwasher 5/16in	
304	3311501	2	Nut 5/16in-18NC	
		Ref	<b>LADDER INSTALLATION (OPTIONAL)(STANDARD PARTS WHEN EQUIPPED)</b>	
402	0641610	4	Bolt 3/8in-16NC x 1 1/4in	
403	4761600	4	Lockwasher 3/8in	
404	4751600	4	Flatwasher 3/8in	
405	3311601	4	Nut 3/8in-16NC	
	0252853	Ref	<b>LADDER INSTALLATION - WITHOUT GRAB RAILS (OPTIONAL) (VARIABLE PARTS)</b>	A
451	4844049	1	Ladder Weldment	
451	3520071	2	Cap, Plastic	
	0233546	Ref	<b>LADDER INSTALLATION - WITH GRAB RAILS (OPTIONAL) (VARIABLE PARTS)</b>	-
451	4844326	1	Ladder Weldment	-
	3520071	2	Cap, Plastic	
451	4565995	2	Tube, Grab Rail (Welded to Rear of Handrails - Not Shown)	
	0250464	Ref	<b>110V GENERATOR INSTALLATION (OPTIONAL)</b>	B
501	2460022	1	Generator	
502	4843509	1	Bracket, Generator Mounting	
503	4751500	5	Flatwasher 5/16in	
504	4761500	5	Lockwasher 5/16in	
505	3311501	5	Nut 5/16in-18NC	
506	1060560	1	Cable	
507	1060045	1	Cable	
508	4300038	1	Stud (Welded on Part)	
509	0840027	1	Boot, Terminal	
	0252274	Ref	<b>BEACON LIGHT INSTALLATION</b>	A
601	2920087	1	Light, Beacon	
602	0901546	1	Bracket, Mounted	
603	4300041	2	Stud (Welded on Part)	
604	4761400	2	Lockwasher 1/4in	
605	3311401	2	Nut 1/4in-20NC	
607	1060341	6 ft/1.8m	Cable, Electrical - 16/2	
	0254128	Ref	<b>TRAY COVER INSTRALLATION</b>	-
701	4060856	1	Cover	
702	0641407	2	Bolt 1/4in-20NC x 7/8in	
703	4751400	4	Flatwasher 1/4in	
704	3311405	2	Locknut 1/4in-20NC	

**SECTION 2 - 2 GROUND COMPONENTS**

# SECTION 2 - 2 GROUND COMPONENTS

## FIGURE 2-1. COVERS, CONTROLS, TANK AND VALVES INSTALLATION



## SECTION 2 - 2 GROUND COMPONENTS

### FIGURE 2-1. COVERS, CONTROLS, TANK AND VALVES INSTALLATION

ITEM	PART NUMBER	QTY	DESCRIPTION	REV
		Ref	<b>COVER, CONTROLS, TANK AND VALVES INSTALLATION</b>	
		Ref	<b>GROUND CONTROLS, TANKS AND VALVES INSTALLATION</b>	
2	0641609	AR	Bolt 3/8in-16NC x 1 1x/8in	
3	4751600	AR	Flatwasher 3/8in	
4	4761600	AR	Lockwasher 3/8in	
5	3311601	AR	Nut 3/8in-16NC	
7	0641516	4	Bolt 5/16in-18NC x 2in	
8	4751500	4	Flatwasher 5/16in	
9	4761500	8	Lockwasher 5/16in	
10		Ref	Spacer Options:	
10	3534699	1	Plate (Machines Built Prior to September 1991)	
10	0961378	3	Bushing (Machines Built September 1991 to Present)	
12	3911016	2	Screw, Machine #10-24NC x 1in	
16	0181593	1	Angle, Mounting	
17	0641407	5	Bolt 1/4in-20NC x 7/8in	
18	4761400	AR	Lockwasher 1/4in	
19	3311401	AR	Nut 1/4in-20NC	
20	1320159	1	Clamp, Hose	
22	1682664	1	Cylinder, Cushion (Bang-Bang Drive Units Only)	
	Note	1	<b>Note: Machines built prior to March 1992 require large size clamp P/N 1320185 for Installation</b>	
22	3480163	1	Piston	
22	2901209	1	Seal Kit	
22	2180699	2	Fitting, 90	
22	2180422	2	Fitting	
23	1320185	1	Clamp, Muffler	
24	3740068	1	Relay - 200 Amp/24VDC	
25	0641406	7	Bolt 1/4in-20NC x 3/4in	
26	4751400	AR	Flatwasher 1/4in	
27	3740069	1	Relay (When Equipped)	
28	3911012	1	Screw, Machine #10-24NC x 3/4in	
29	4751000	3	Flatwasher #10	
30	4761000	3	Lockwasher #10	
31	3311001	3	Nut #10-24NC	
32		Ref	Pump/Motor Assembly - Flex Drive	
32	3600184	1	Barnes Pump/Prestolite Motor Assembly - Tang Drive (Machines Built Prior to June 1990)	
	Note	1	<b>Note: When replacing complete pump/motor assembly use 3600184.</b>	
32		Ref	Prestolite Motor Assembly (Purchase 7010924 as Replacement)	
32	7012565	1	Brush Kit for 7004338 (Brushes Only)	
32	7004336	1	Barnes Pump Assembly	
32	7004337	1	Drive Shaft	
32	3600148	1	Barnes Pump/Ohio Motor Assembly - Tang Drive (Machines Built June 1990 to August 1991)	
	Note	1	<b>Note: When replacing complete pump/motor assembly use 3600184.</b>	
32	7010924	1	Ohio Motor Assembly	
32	7010639	2	Brush for 7010924 Motor	
32	7010640	8	Spring for 7010924 Motor	

## SECTION 2 - 2 GROUND COMPONENTS

ITEM	PART NUMBER	QTY	DESCRIPTION	REV
32	7010952	1	Barnes Pump Assembly	
32	3600184	1	Barnes Pump/Ohio Motor Assembly - Flex Drive (Machines built August 1991 to Present)	
32	7010943	1	Ohio Motor Assembly	
32	7010639	2	Brush for 7010943 Motor	
32	7010640	8	Spring for 7010943 Motor	
32	7010951	1	Barnes Pump Assembly	
32	7010944	1	Coupling, Flex	
34	3534561	1	Plate, Ground Control	
35	3252054	1	Nameplate - Ground Control (Prior to September 1992)	
35	3252091	1	Nameplate - Ground Control (September 1992 to Present)	
36	4360202	1	Switch, Toggle	
37	4360290	1	Switch, Keyed	
37	7010698	1 st	Key Replacement	
38	4360267	1	Block, Contact	
39	4360281	1	Block, Contact	
41	4360070	1	Breaker, Circuit	
42	4360155	1	Switch, Master	
43	2420116	1	Ammeter	
44	0901728	1	Bracket, Filter Mounting	
45	2120105	1	Filter, Return	
45	2120072	1	Element - 20 Micron (Standard)	
45	2120148	1	Element - 10 Micron (Optional)	
46	1320178	1	Clamp, Tube	
47	0641432	2	Bolt 1/4in-20NC x 4in	
48	4400324	1	Tank, Hydraulic (Includes Item 49)	
49	1120361	1	Cap, Tank	
50	0641608	2	Bolt 3/8in-16NC x 1in	
51	3520076	1	Plug, Magnetic	
52	0100020	AR	Sealant, Pipe	
53	1340052	1	Breather	
54	0641508	2	Bolt 5/16in-18NC x 1in	
55	3311501	3	Nut 5/16in-18NC	
56	0181636	1	Angle, Mounting	
57	4420038	2 in/5cm	Tape, Insulation	
58	0100048	AR	Compound, Silicone (Not Shown)	
	0251320	Ref	<b>GROUND CONTROLS, TANK AND VALVES INSTALLATION - WITH BANG-BANG DRIVE (VARIABLE PARTS) (CM2033)</b>	O
101		Ref	Hydraulic Tray Options (CM2033)	
101	3534467	1	Tray, Hydraulic (Prior to January 1994) (CM2033)	
101	3537285	1	Tray, Hydraulic (January 1994 to Present) (CM2033)	
102	4640657	1	Control Valve Assembly - Machines built prior to June 1992 (See CONTROL VALVE ASSEMBLY - HYDRO-AIR (MACHINES WITH BANG-BANG DRIVE BUILT PRIOR TO JUNE 1992) for Breakdown) (CM2033)	
102	4640733	1	Control Valve Assembly - Machines built June 1992 to Present (See CONTROL VALVE ASSEMBLY - HYDRO-AIR (MACHINES WITH BANG-BANG DRIVE BUILT JUNE 1992 TO PRESENT) for Breakdown) (CM2033)	
103	3534649	1	Plate, Divider (CM2033)	
	0252426	Ref	<b>GROUND CONTROLS, TANK AND VALVES INSTALLATION - WITH BANG-BANG DRIVE (VARIABLE PARTS) (CM2033)</b>	D
101		Ref	Hydraulic Tray Options: (CM2033)	

## SECTION 2 - 2 GROUND COMPONENTS

ITEM	PART NUMBER	QTY	DESCRIPTION	REV
102	3534467	1	Tray, Hydraulic (Prior to January 1994) (CM2033)	
	3537285	1	Tray, Hydraulic (January 1994 to Present) (CM2033)	
	0252689	1	Control Valve Assembly (See CONTROL VALVE ASSEMBLY - HYDRO-AIR (MACHINES WITH PROPORTIONAL DRIVE) for Breakdown) (CM2033)	
	3534649	1	Plate, Divider (CM2033)	
	0251371	Ref	<b>GROUND CONTROLS, TANK AND VALVES INSTALLATION - WITH BANG-BANG DRIVE (VARIABLE PARTS) (CM2046)</b>	
101		Ref	Hydraulic Tray Option: (CM2046)	P
	3534650	1	Tray, Hydraulic (Prior to January 1994) (CM2046)	
101	3537284	1	Tray, Hydraulic (January 1994 to Present) (CM2046)	
103	4640657	1	Control Valve Assembly - Machines built prior to June 1992 (See CONTROL VALVE ASSEMBLY - HYDRO-AIR (MACHINES WITH BANG-BANG DRIVE BUILT PRIOR TO JUNE 1992) for Breakdown) (CM2046)	
	4640733	1	Control Valve Assembly - Machines built June 1992 to present (See CONTROL VALVE ASSEMBLY - HYDRO-AIR (MACHINES WITH BANG-BANG DRIVE BUILT JUNE 1992 TO PRESENT) for Breakdown) (CM2046)	
	3534651	1	Plate, Divider (CM2046)	
	0252422	Ref	<b>GROUND CONTROLS, TANK AND VALVES INSTALLATION - WITH PROPORTIONAL DRIVE (VARIABLE PARTS) (CM2046)</b>	
		Ref	<b>Hydraulic Tray Option: (CM2046)</b>	
102	3534650	1	Tray, Hydraulic (Prior to January 1994) (CM2046)	C
	3537284	1	Tray, Hydraulic (January 1994 to Present) (CM2046)	
	0252689	1	Control Valve Assembly (See CONTROL VALVE ASSEMBLY - HYDRO-AIR (MACHINES WITH PROPORTIONAL DRIVE) for Breakdown) (CM2046)	
	3534651	1	Plate, Divider (CM2046)	
	0251500	Ref	<b>GROUND CONTROLS, TANK AND VALVES INSTALLATION - WITH BANG-BANG DRIVE (VARIABLE PARTS) (CM2546,CM2558)</b>	
101	4843805	1	Tray, Hydraulic (CM2546,CM2558)	L
	4640657	1	Control Valve Assembly - Machines built prior to June 1992 (See CONTROL VALVE ASSEMBLY - HYDRO-AIR (MACHINES WITH BANG-BANG DRIVE BUILT PRIOR TO JUNE 1992) for Breakdown) (CM2546,CM2558)	
	4640733	1	Control Valve Assembly - Machines built June 1992 to Present (See CONTROL VALVE ASSEMBLY - HYDRO-AIR (MACHINES WITH BANG-BANG DRIVE BUILT JUNE 1992 TO PRESENT) for Breakdown) (CM2546,CM2558)	
	3534651	1	Plate, Divider (CM2546,CM2558)	
	0252423	Ref	<b>GROUND CONTROLS, TANK AND VALVES INSTALLATION - WITH PROPORTIONAL DRIVE (VARIABLE PARTS) (CM2546,CM2558)</b>	
204	4843805	1	Tray, Hydraulic (CM2546,CM2558)	B
	0252689	1	Control Valve Assembly (See CONTROL VALVE ASSEMBLY - HYDRO-AIR (MACHINES WITH PROPORTIONAL DRIVE) for Breakdown) (CM2546,CM2558)	
	3534651	1	Plate, Divider (CM2546,CM2558)	
		Ref	<b>COVERS INSTALLATION (STANDARD PARTS)</b>	
		Ref		
205	0641406	4	Bolt 1/4in-20NC x 3/4in	
206	4761400	4	Lockwasher 1/4in	
207	4751400	4	Flatwasher 1/4in	
208	3311401	4	Nut 1/4in-20NC	
210	2560003	4	Handle	
	4751000	8	Flatwasher #10	

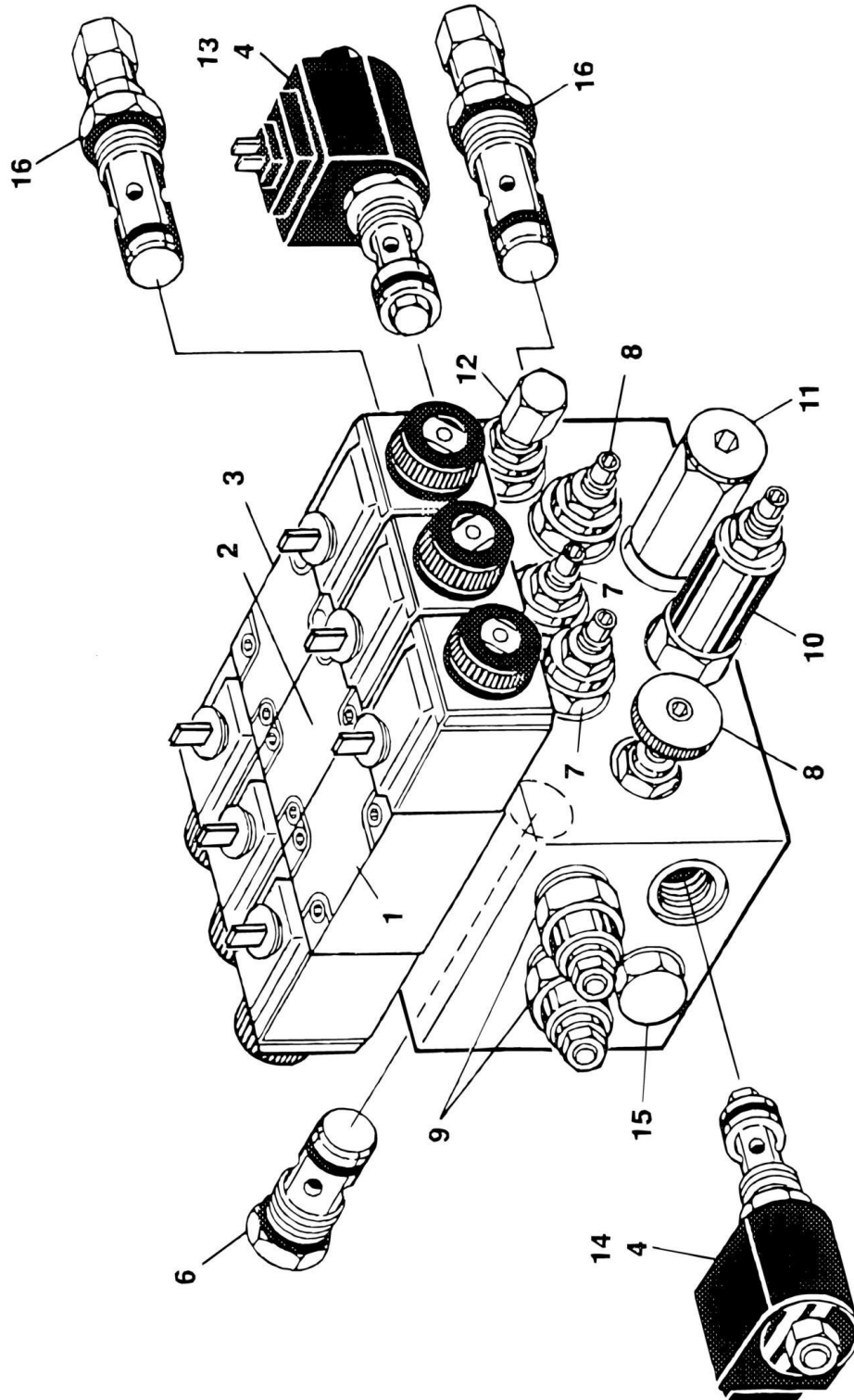
## SECTION 2 - 2 GROUND COMPONENTS

ITEM	PART NUMBER	QTY	DESCRIPTION	REV
213	3820020	16	Rivet, 3/16in	
214	2940062	4	Latch, Rubber	
215	3820019	8	Rivet, 31/16in	
218	3760170	2	Ring	
219	1060379	2	Cable, Lanyard	
220	2940065	2	Latch, Snap	
	0251212	Ref	<b>COVERS INSTALLATION (NOT SHOWN) (VARIABLE PARTS) (CM2033)</b>	B
251	4060762	1	Cover (RH) (CM2033)	
252	4060763	1	Cover (LH) (CM2033)	
253	4060764	2	Support, Shield (CM2033)	
	0251390	Ref	<b>COVERS INSTALLATION (VARIABLE PARTS) (CM2046,CM2546,CM2558)</b>	B
251	4060771	1	Cover (RH) (CM2046,CM2546,CM2558)	
252	4060772	1	Cover (LH) (CM2046,CM2546,CM2558)	
253	4060773	2	Support, Shield (CM2046,CM2546,CM2558)	
	0254811	Ref	<b>VALVE INSTALLATION - HYDRAULICALLY EXTENDED DECK OPTION</b>	-
301	4640870	1	Valve Assembly (See CONTROL VALVE ASSEMBLY - HYDRO AIR (HYDRAULICALLY EXTENDED DECK OPTION) for Breakdown)	
302	0902053	1	Bracket	
303	0641506	2	Bolt 5/16in-18NC x 3/4in	
304	4751500	6	Flatwasher 5/16in	
305	4761500	4	Lockwasher 5/16in	
306	0641508	2	Bolt 5/16in-18NC x 1in	
307	3311505	2	Locknut 5/16in-18NC	



## SECTION 2 - 2 GROUND COMPONENTS

FIGURE 2-2. CONTROL VALVE ASSEMBLY - HYDRO-AIR (MACHINES WITH BANG-BANG DRIVE BUILT PRIOR TO JUNE 1992)



## SECTION 2 - 2 GROUND COMPONENTS

**FIGURE 2-2. CONTROL VALVE ASSEMBLY - HYDRO-AIR (MACHINES WITH BANG-BANG DRIVE BUILT PRIOR TO JUNE 1992)**

ITEM	PART NUMBER	QTY	DESCRIPTION	REV
	4640657	Ref	<b>CONTROL VALVE ASSEMBLY - HYDRO-AIR (MACHINES WITH BANG-BANG DRIVE BUILT PRIOR TO JUNE 1992)</b>	A
		Ref	<b>NOTE: IDENTIFYBY P/N STAMPED ON THE FOLLOWING COMPONENTS BEFORE ORDERING REPLACEMENT PARTS. SHAPE OF COMPONENT MAY VARY</b>	
1	4640737	1	Rexroth Directional Valve Assembly (Drive)	
1	7012726	2	Coil (Rexroth)	
1	7012725	1	Seal Kit (Rexroth)	
1	Not Available	NLA	Vickers Directional Valve Assembly (Drive) (No Longer Available Replace with P/N 4640737)	
1	7010534	2	Coil (Vickers)	
2	4640737	1	Rexroth Directional Valve Assembly (Lift/Hi-Drive)	
2	7012726	2	Coil (Rexroth)	
2	7012725	1	Seal Kit (Rexroth)	
2	Not Available	NLA	Vickers Directional Valve Assembly (Lift/Hi-Drive) (No Longer Available, Replace with P/N 4640737)	
2	7010534	2	Coil (Vickers)	
3	4640740	1	Rexroth Directional Valve Assembly (Steer)	
3	7012727	2	Coil (Rexroth)	
3	7012725	1	Seal Kit (Rexroth)	
3	Not Available	NLA	Vickers Directional Valve Assembly (Steer) (No Longer Available. Replace with P/N 4640740)	
3	7010534	2	Coil (Vickers)	
4	7012900	2	Coil - 20 Volt (Hydraforce)	
4	7004370	2	Coil - 18 Volt (Vickers/Modular Controls)	
6	7010561	1	Valve, Check (Vickers/Modular Controls CV1-10-B-05)	
6	2900503	1	Seal Kit (Vickers/Modular Controls CV1-10-B-05)	
6	7012930	1	Valve, Check (Hydraforce CV10-20-0-N-5)	
6	2900756	1	Seal Kit (Hydraforce CV10-20-0-N-5)	
7	7010565	2	Valve, Flow Control (Vickers/Modular Controls FCV6-10-S-0-OFF) (Brake Speed and Lift/Lower Speed Adjustments)	
7	2900503	2	Seal Kit (Vickers/Modular Controls FCV6-10-S-0-OFF) (1 Per Cartridge)	
7	7010544	2	Valve, Flow Control (Hydraforce FC-10-20A-0-N) (Brake Speed and Lift/Lower Speed Adjustments)	
7	7012901	2	Seal Kit (Hydraforce FC10-20A-0-N) (1 Per Cartridge)	
8	7010567	2	Valve, Needle (Vickers/Modular Controls FCV6-10-S-0-NV) (Tow and Creep Adjustments)	
8	2900502	2	Seal Kit (Vickers/Modular Controls FCV6-10-S-0-NV) (1 Per Cartridge)	
8	7012933	2	Valve, Needle (Hydraforce NV10-20A-0-N) (Tow and Creep Adjustments)	
8	7012901	2	Seal Kit (Hydraforce NV10-20A-0-N) (1 Per Cartridge)	
	4640657	1	<b>CONTROL VALVE ASSEMBLY - HYDRO-AIR (MACHINES WITH BANG-BANG DRIVE BUILT PRIOR TO JUNE 1992)</b>	A
9	7004361	2	Valve, Load Control (Drive Motion Adjustments)	
9	2900706	2	Seal Kit (1 Per Cartridge)	
10	7010564	1	Valve, Sequence (Vickers/Modular Controls PSV2-10-S-0-12) (Hi-Drive Kickout Adjustment) (Cartridge must be adjusted to 1100 PSI when installed)	
10	2900698	1	Seal Kit (Vickers/Modular Controls PSV2-10-S-0-12)	

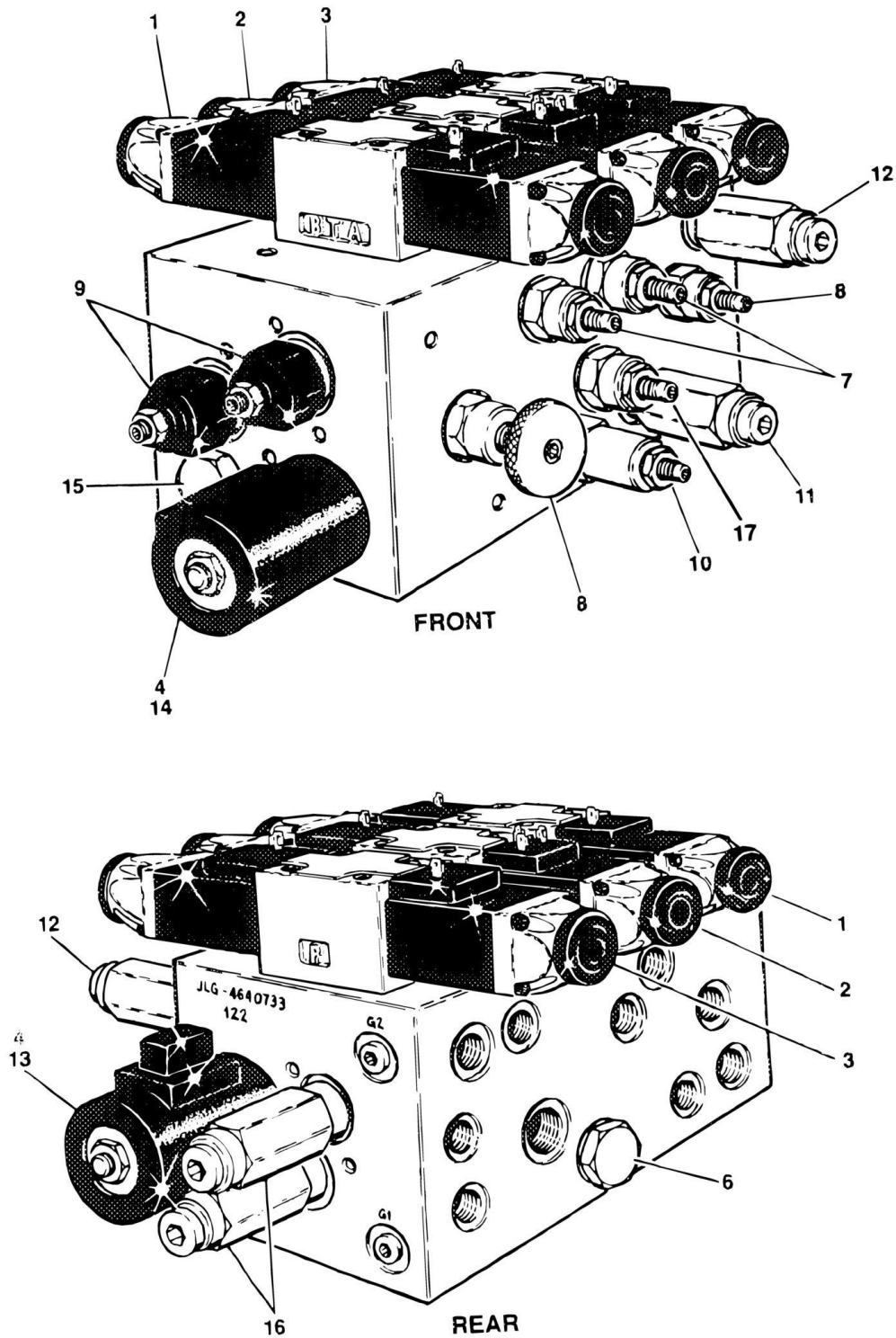
## SECTION 2 - 2 GROUND COMPONENTS

ITEM	PART NUMBER	QTY	DESCRIPTION	REV
10	7012934	1	Valve Sequence (Hydraforce PS10-32A-0-N-15/11) (HI-Drive Kickout Adjustment)	
10	2900707	1	Seal Kit (Hydraforce PS10-32A-0-N-15/11)	
11	4640642	1	Valve, Relief (Vickers/Modular Controls RV1-10-I-0-36/26) (P1 Relief Pressure Adjustment)	
11	2900503	1	Seal Kit (Vickers/Modular Controls RV1-10-I-0-36/26)	
11	7012932	1	Valve, Relief (Hydraforce RV10-20H-0-N-33/27) (Pin (P1 Relief Pressure Adjustment)	
11	2900708	1	Seal Kit (Hydraforce RV10-20H-0-N-33/27)	
12	7010562	1	Valve, Relief (Vickers/Modular Controls RV6-10-C-0-25) (P2 Relief Pressure Adjustment) (Cartridge must be adjusted to 2700 PSI when installed)	
12	2900503	1	Seal Kit (Vickers/Modular Controls RV6-10-C-0-25)	
12	7012932	1	Valve, Relief (Hydraforce RV10-20H-0-N-33/27) (P2 Relief Pressure Adjustment)	
12	2900708	1	Seal Kit (Hydraforce RV10-20H-0-N-33/27)	
13	7010536	1	Valve, Solenoid - Less Coil (Mid Drive) (Vickers/Modular Controls SV3-10-4-0-00) (Order Coil separately - Manufacturer of the cartridge and the coil must be the same)	
13	2900696	1	Seal Kit (Vickers/Modular Controls SV3-10-4-0-00)	
13	7012920	1	Valve, Solenoid - Less Coil (Mid-Drive) (Hydraforce SV10-25-0-N-00) (Order Coil separately - Manufacturer of the cartridge and coil must be the same)	
13	2900708	1	Seal Kit (Hydraforce SV10-25-0-N-00 and SV10-25-0-N-20DS)	
14	7009744	1	Valve, Solenoid - Less Coil (Positive Traction) (Vickers/Modular Controls SV4-10-0-00) (Order Coil separately - Manufacturer of the cartridge and the coil must be the same)	
14	2900502	1	Seal Kit (Vickers/Modular Controls SV4-10-0-0-00)	
14	7012919	1	Valve, Solenoid - Less Coil (Positive Traction) (Hydraforce SV10-42-0-N-00) (Order Coil separately - manufacturer of the cartridge and coil must be the same)	
14	7012903	1	Seal Kit (Hydraforce SV10-42-0-N-20DS and SV10-42-0-N-00)	
15	7010503	1	Valve, Flow Divider (Vickers/Modular Controls FDC1-10-0-44)	
15	2900696	1	Seal Kit (Vickers/Modular Controls FDC1-10-0-44)	
15	7012929	1	Valve, Flow Divider (Hydraforce FD10-40-0-N-44)	
15	7012904	1	Seal Kit (Hydraforce FD10-40-0-N-44)	
16	7010562	2	Valve, Relief (Vickers/Modular Controls RV6-10-C-025) (Steer Relief Adjustments) (Cartridge must be adjusted 1500 PSI when installed)	
16	2900503	2	Valve, Relief (Vickers/Modular Controls RV6-10-C-025) (Steer Relief Adjustments) (Cartridge must be adjusted 1500 PSI when installed)	
16	7012931	2	Valve, Relief (Hydraforce RV10-20H-0-N-33/15 and RV10-26H-0-N-30/15) (Steer Relief Adjustments)	
16	2900708	2	Seal Kit (Hydraforce RV10-20H-0-N-33/15 and RV10-26H-0-N-30/15) (1 PerCartridge)	



## SECTION 2 - 2 GROUND COMPONENTS

FIGURE 2-3. CONTROL VALVE ASSEMBLY - HYDRO-AIR (MACHINES WITH BANG-BANG DRIVE BUILT JUNE 1992 TO PRESENT)



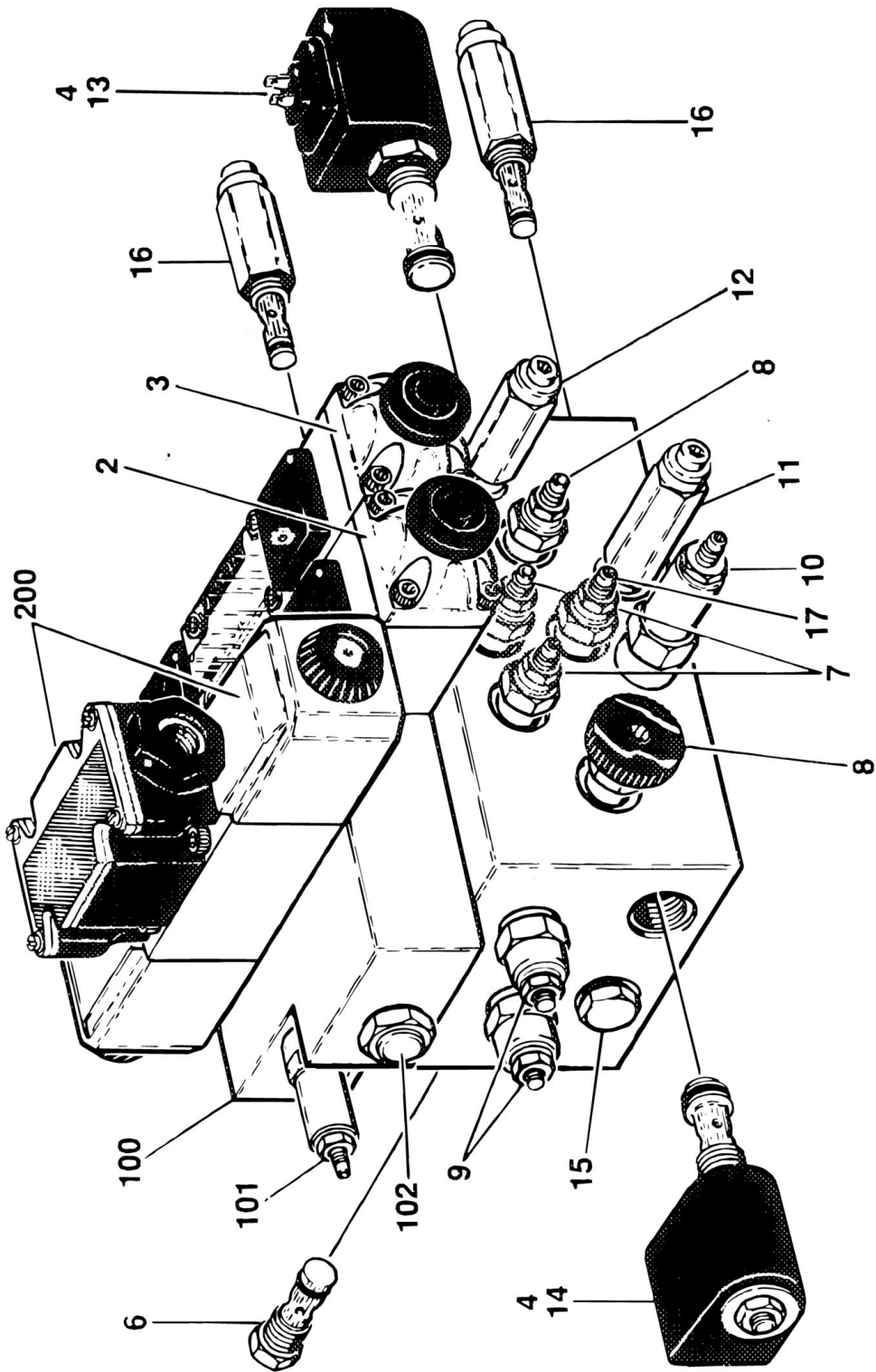
## SECTION 2 - 2 GROUND COMPONENTS

**FIGURE 2-3. CONTROL VALVE ASSEMBLY - HYDRO-AIR (MACHINES WITH BANG-BANG DRIVE BUILT JUNE 1992 TO PRESENT)**

ITEM	PART NUMBER	QTY	DESCRIPTION	REV
	4640733	Ref	<b>CONTROL VALVE ASSEMBLY - HYDRO-AIR (MACHINES WITH BANG-BANG DRIVE BUILT JUNE 1992 TO PRESENT)</b>	D
1	4640737	1	Rexroth Directional Valve Assembly (Drive)	
1	7012726	2	Coil (Rexroth)	
1	7012725	1	Seal Kit (Rexroth)	
2	4640745	1	Rexroth Directional Valve Assembly (Lift/Hi-Drive)	
2	7012726	1	Coil - 1 Prong (Rexroth)	
2	7012732	1	Coil - 3 Prong (Rexroth)	
2	7012725	1	Seal Kit (Rexroth)	
3	4640740	1	Rexroth Directional Valve Assembly (Steer)	
3	7012727	2	Coil (Rexroth)	
3	7012725	1	Seal Kit (Rexroth)	
4	7012900	2	Coil - 20 Volt (Hydraforce)	
6	7012930	1	Valve, Check	
6	2900756	1	Seal Kit (Hydraforce CV10-20-0-0N-5)	
7	7010544	2	Valve, Flow Control (Brake Speed and Lift/Lower Speed Adjustments)	
7	7012901	2	Seal Kit (Hydraforce FC10-20A-0-N) (1 Per Cartridge)	
8	7012933	2	Valve, Needle (Tow and Creep Adjustments)	
8	7012901	2	Seal Kit (Hydraforce NV10-20A-0-N) (1 Per Cartridge)	
9	7004361	2	Valve, Load Control (Drive Motion Adjustments)	
9	2900706	2	Seal Kit (1 Per Cartridge)	
10	7012934	1	Valve, Sequence (Hi-Drive Kickout Adjustment)	
10	2900707	1	Seal Kit (Hydraforce PS10-32A-0-N-15/11)	
11	7012932	1	Valve, Relief (P1 Relief Pressure Adjustment) (Hydraforce Version)	
11	2900708	1	Seal Kit (Hydraforce RV10-20H-0-N-33/27)	
12	7012932	1	Valve, Relief (P2 Relief Pressure Adjustment)	
12	2900708	1	Seal Kit (Hydraforce RV10-20H-0-N-33/27)	
13	7012920	1	Valve, Solenoid - Less Coil (Mid-Drive) (Hydraforce SV10-25-0-N-00) (Order Coil Separately)	
13	2900708	1	Seal Kit	
14	7012919	1	Valve, Solenoid - Less Coil (Positive Traction) (Hydraforce SV10-42-0-N-00) (Order Coil Separately)	
14	7012903	1	Seal Kit	
15	7012929	1	Valve, Flow Divider	
15	7012904	1	Seal Kit (Hydraforce FD10-40-0-N-44)	
16	7012931	2	Valve, Relief (Steer Relief Adjustments)	
16	2900708	2	Seal Kit (Hydraforce RV10-26H-N-30/15 and RV10-20H-N-33/15) (1 Per Cartridge)	
17	7012912	1	Valve, Relief (Lift Relief Pressure) (Machines Built after June 1993 Only)	
17	7010541	1	Seal Kit (Hydraforce RV08-20A-0-N-33)	

## SECTION 2 - 2 GROUND COMPONENTS

FIGURE 2-4. CONTROL VALVE ASSEMBLY - HYDRO-AIR (MACHINES WITH PROPORTIONAL DRIVE)



## SECTION 2 - 2 GROUND COMPONENTS

**FIGURE 2-4. CONTROL VALVE ASSEMBLY - HYDRO-AIR (MACHINES WITH PROPORTIONAL DRIVE)**

ITEM	PART NUMBER	QTY	DESCRIPTION	REV
	0252689	Ref	<b>CONTROL VALVE ASSEMBLY - HYDRO-AIR (MACHINES WITH PROPORTIONAL DRIVE)</b>	A
		Ref	<b>CONTROL VALVE ASSEMBLY (INCLUDES ITEMS 1-16)</b>	
	Note	Ref	<b>NOTE: Identify by P/n stamped on the following components before ordering replacement parts. shape of component may vary.</b>	
2	4640745	1	Rexroth Directional Valve Assembly (Lift/Hi-Drive)	
2	7012726	1	Coil 1 Prong (Rexroth)	
2	7012732	1	Coil - 3 Prong (Rexroth)	
2	7012725	1	Seal Kit (Rexroth)	
3	4640740	1	Rexroth Directional Valve Assembly (Steer)	
3	7012727	2	Coil (Rexroth)	
3	7012725	1	Seal Kit (Rexroth)	
4	7012900	2	Coil - 20 Volt (Hydraforce)	
6	7012930	1	Valve, Check	
6	2900756	1	Seal Kit (Hydraforce CV10-20-0-N-5)	
7	7010544	2	Valve, Flow Control (Brake Speed and Lift/Lower Speed Adjustments)	
7	7012901	2	Seal Kit (Hydraforce FC10-20A-0-N) (1 Per Cartridge)	
8	7012933	2	Valve, Needle (Tow and Creep Adjustments)	
8	7012901	2	Seal Kit (Hydraforce NV10-20A-0-N) (1 Per Cartridge)	
9	7004361	2	Valve, Load Control (Drive Motion Adjustments)	
9	2900706	2	Seal Kit (1 Per Cartridge)	
10	7012934	1	Valve, Sequence (Hi-Drive Kickout Adjustment)	
10	2900707	1	Seal Kit (Hydraforce PS10-32A-0-N-15/11)	
11	7012932	1	Valve, Relief (P1 Relief Pressure Adjustment) (Hydraforce Version)	
11	2900708	1	Seal Kit (Hydraforce RV10-20H-0-N-33/27)	
12	7012932	1	Valve, Relief (P2 Relief Pressure Adjustment)	
12	2900708	1	Seal Kit (Hydraforce RV10-20H-0-N-33/27)	
13	7012920	1	Valve, Solenoid - Less Coil (Mid-Drive) (Hydraforce SV10-25-0-N-00) (Order Coil Separately)	
13	2900708	1	Seal Kit	
14	7012919	1	Valve, Solenoid - Less Coil (Positive Traction) (Hydraforce SV10-42-0-N-00) (Order Coil Separately)	
14	7012903	1	Seal Kit	
15	7012929	1	Valve, Flow Divider	
15	7012904	1	Seal Kit (Hydraforce FD10-40-0-N-44)	
16	7012931	2	Valve, Relief (Steer Relief Adjustments)	
16	2900708	2	Seal Kit (Hydraforce RV10-20H-N-33/15 & RV10-26H-N-30/15) (1 Per Cartridge)	
17	7012912	1	Valve, Relief (Lift Relief Pressure) (Machines Built after June 1993 Only)	
17	7010541	1	Seal Kit (Hydraforce RV08-20A-0-N-33)	
100	4640736	Ref	<b>LOAD SENSING VALVE ASSEMBLY</b>	-
101	7010511	1	Valve, Load Sensing (Vickers/Modular Controls DPS2-2907)	
101	2900735	1	Seal Kit (Vickers/Modular Controls DPS2-2907)	
102	7010566	1	Valve, Check (Vickers/Modular Controls DSV1-10-8-0)	
102	2900697	1	Seal Kit (Vickers/Modular Controls DSV1-10-B-0)	
102	7012935	1	Valve, Check (Hydraforce LS10-30-0-N)	
102	7012518	1	Seal Kit (Hydraforce LS10-30-0-N)	
200	4640714	Ref	<b>PROPORTIONAL DRIVE VALVE ASSEMBLY</b>	-

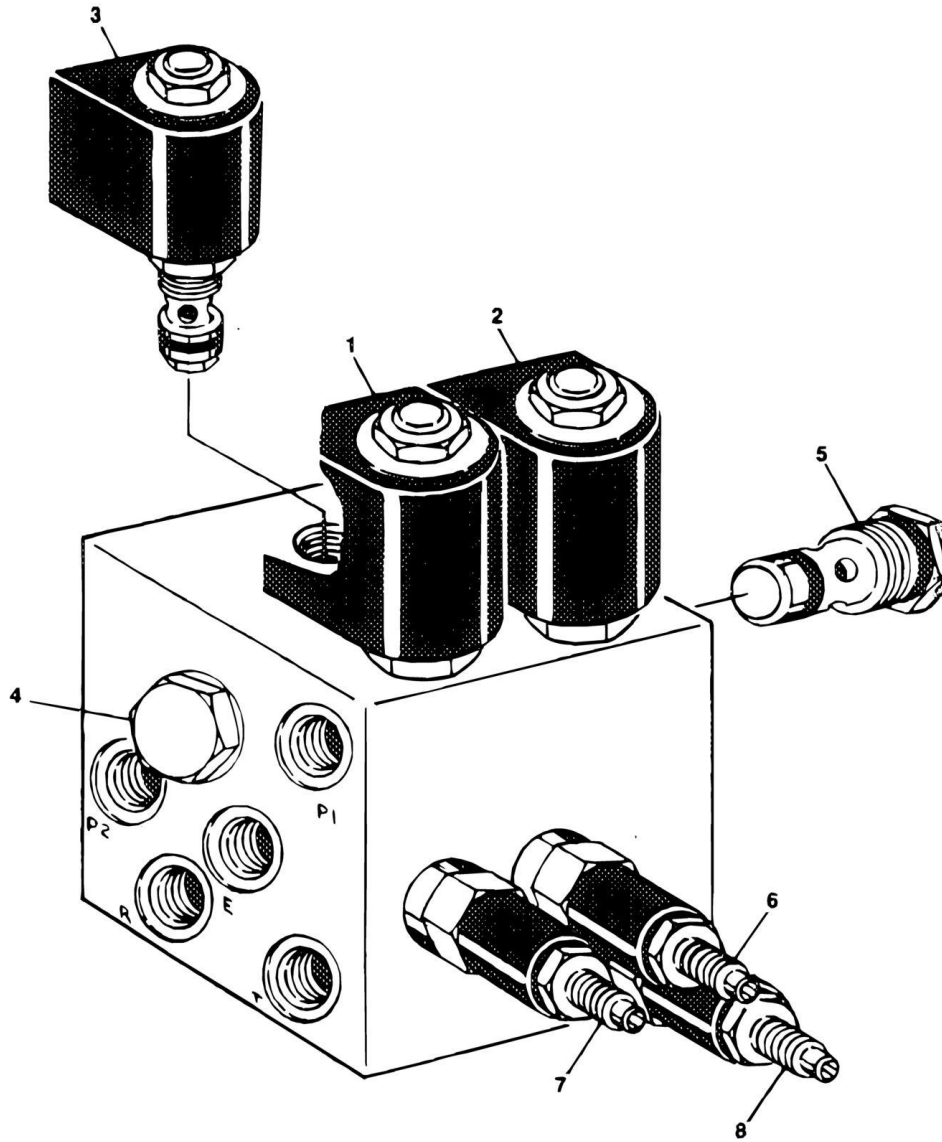
## SECTION 2 - 2 GROUND COMPONENTS

ITEM	PART NUMBER	QTY	DESCRIPTION	REV
	7012308	2	Coil	
	7012311	1	Seal Kit	
	7012312	1	Mounting Kit	



## SECTION 2 - 2 GROUND COMPONENTS

FIGURE 2-5. CONTROL VALVE ASSEMBLY - HYDRO AIR (HYDRAULICALLY EXTENDED DECK OPTION)



**SECTION 2 - 2 GROUND COMPONENTS**

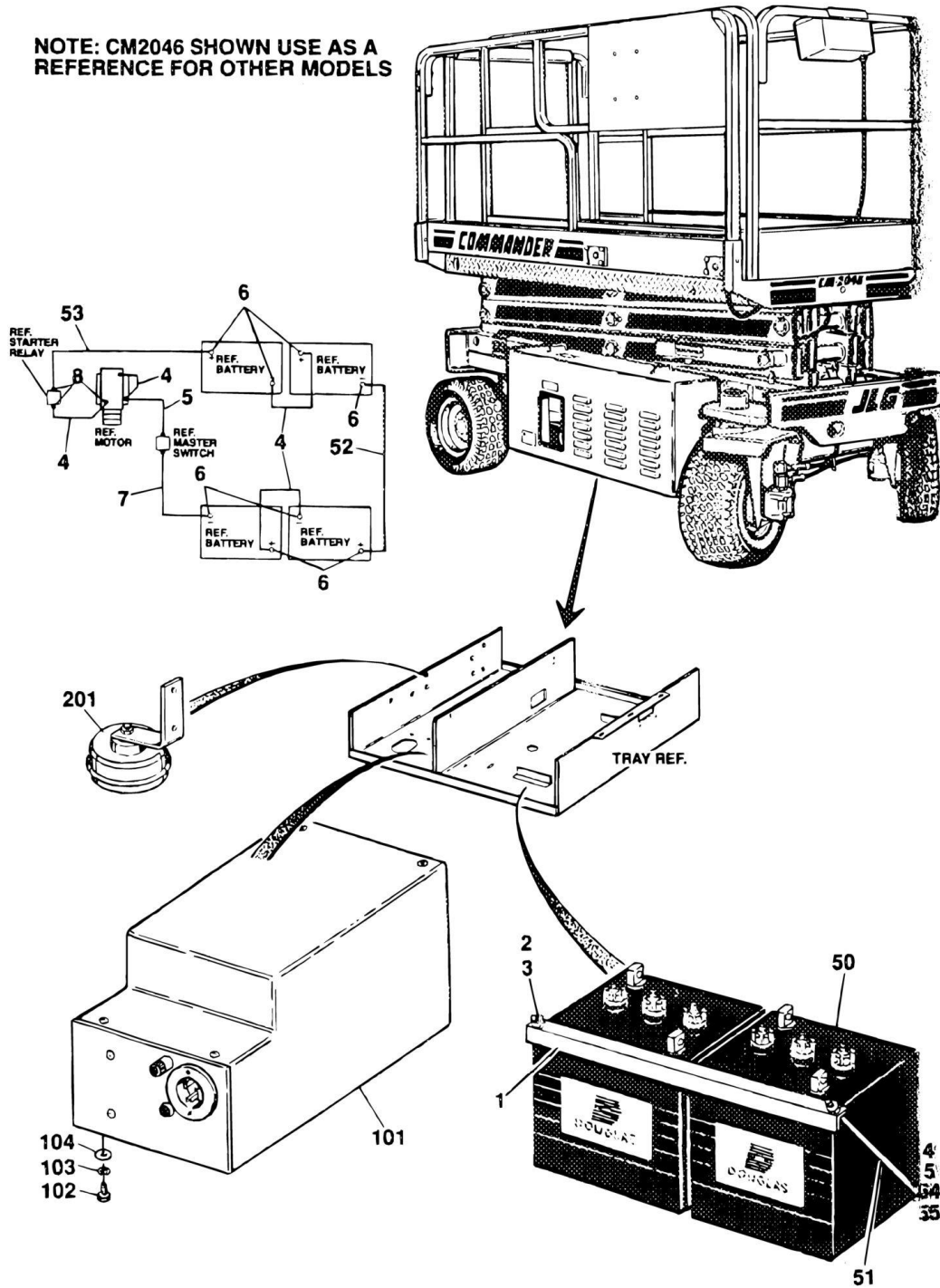
**FIGURE 2-5. CONTROL VALVE ASSEMBLY - HYDRO AIR (HYDRAULICALLY EXTENDED DECK OPTION)**

ITEM	PART NUMBER	QTY	DESCRIPTION	REV
	4640870	Ref	<b>CONTROL VALVE ASSEMBLY - HYDRO AIR (HYDRAULICALLY EXTENDED DECK OPTION)</b>	-
1	7012956	1	Solenoid Cartridge Assembly	
1	7012900	1	Coil	
1	7010543	1	Seal Kit	
2	7012956	1	Solenoid Cartridge Assembly	
2	7012900	1	Coil	
2	7010543	1	Seal Kit	
3	7012957	1	Solenoid Cartridge Assembly	
3	7012958	1	Coil	
3	7012540	1	Seal Kit	
4	7012921	1	Check Cartridge Assembly	
4	7012540	1	Seal Kit	
5	7012921	1	Check Cartridge Assembly	
5	7012540	1	Seal Kit	
6	7012912	1	Relief Cartridge Assembly	
6	7010541	1	Seal Kit	
7	7010540	1	Relief Cartridge Assembly	
7	7010541	1	Seal Kit	
8	7010540	1	Relief Cartridge Assembly	
8	7010541	1	Seal Kit	
9	Not Serviced	1	Manifold	

# SECTION 2 - 2 GROUND COMPONENTS

FIGURE 2-6. BATTERIES AND CHARGES INSTALLATION

NOTE: CM2046 SHOWN USE AS A REFERENCE FOR OTHER MODELS



## SECTION 2 - 2 GROUND COMPONENTS

### FIGURE 2-6. BATTERIES AND CHARGES INSTALLATION

ITEM	PART NUMBER	QTY	DESCRIPTION	REV
		Ref	<b>BATTERIES AND CHARGERS INSTALLATION</b>	
	1281464	Ref	<b>BATTERIES INSTALLATION (STANDARD PARTS)</b>	G
1	0181583	2	Angle, Mounting - Battery	
2	4751400	4	Flatwasher 1/4in	
3	3311405	4	Locknut 1/4in-20NC	
4	1060221	4	Cable, Battery - 12 in/30.5cm Length	
5	1060080	1	Cable, Battery - 30 in/76cm Length	
6	0840031	8	Boot, Terminal Cover	
7	1060130	1	Cable, Battery - 22 in/56cm Length	
8	0840025	3	Boot, Terminal	
	0251354	Ref	<b>BATTERIES INSTALLATION (VARIABLE PARTS) (CM2033)</b>	G
50	0400069	4	Battery (Wet Standard) (Douglas 6-225) (CM2033)	
50	0400112	4	Battery (Dry Standard) (Douglas 6-225) (CM2033)	
51	3841069	4	Rod, Holddown (CM2033)	
52	1060364	1	Cable, Battery - 30in/76cm Length (CM2033)	
53	1060400	1	Cable, Battery - 48 in/122cm Length (CM2033)	
	0251352	Ref	<b>BATTERIES INSTALLATION - WITH STANDARD BATTERIES BUILT PRIOR TO JUNE 1993 (VARIABLE PARTS) (CM2046)</b>	H
	0254247	Ref	<b>BATTERIES INSTALLATION - WITH STANDARD BATTERIES BUILT JUNE 1993 TO PRESENT (VARIABLE PARTS) (CM2046)</b>	A
50	0400069	4	Battery (Wet Standard) (Douglas 6V-225) (CM2046)	
50	0400112	4	Battery (Dry Standard) (Douglas 6V-225) (CM2046)	
52	1060054	1	Cable, Battery - 36 in/96.5cm Length (CM2046)	
53	1060149	1	Cable, Battery - 54 in/137cm Length (CM2046)	
54	0641408	4	Bolt 1/4in20NC x 1in (June 1973 to Present) (CM2046)	
55	0181722	2	Angle, Mounting (June 1973 to Present) (CM2046)	
	0251352	Ref	<b>BATTERIES INSTALLATION - WITH STANDARD BATTERIES (VARIABLE PARTS) (CM2546,CM2558)</b>	H
50	0400069	1	Battery (Wet Standard) (Douglas 6V 225) (CM2546,CM2558)	
50	0400112	1	Battery (Dry Standard) (Douglas 6V 225) (CM2546,CM2558)	
51	3841069	1	Rod, Holddown (CM2546,CM2558)	
52	1060149	1	Cable, Battery - 36in/91.5cm Length (CM2546,CM2558)	
53	1060149	1	Cable, Battery - 54in/137cm Length (CM2546,CM2558)	
54	Not Required	0	Not Required (CM2546,CM2558)	
55	Not Required	0	Not Required (CM2546,CM2558)	
	0251353	Ref	<b>BATTERIES INSTALLATION - WITH HI-OUTPUT BATTERIES BUILT PRIOR TO JUNE 1993 (VARIABLE PARTS) (CM2046)</b>	H
	0244248	Ref	<b>BATTERIES INSTALLATION - WITH HI-OUTPUT BATTERIES BUILT JUNE 1993 TO PRESENT (VARIABLE PARTS) (CM2046)</b>	A
50	0400055	4	Battery (Wet Hi-Output) (Douglas 6V-370-S) (CM2046)	
50	0400107	4	Battery (Dry Hi-Output) (Douglas 6V-370-S) (CM2046)	
51	3841094	4	Rod, Holddown (CM2046)	
52	1060054	1	Cable, Battery - 36 in/91.5cm Length (CM2046)	
53	1060149	1	Cable, Battery - 36in/137cm Length (CM2046)	
54	0641408	4	Bolt 1/4in-20NC x 1in (June 1993 to Present) (CM2046)	
55	0181722	2	Angle, Mounting (June 1993 to Present) (CM2046)	
	0251353	Ref	<b>BATTERIES INSTALLATION - WITH HI-OUTPUT BATTERIES (VARIABLE PARTS) (CM2046,CM2558)</b>	H
50	0400055	1	Battery (Wet Hi-Output) (Douglas 6V-370-S) (CM2046,CM2558)	
50	0400107	1	Battery (Dry Hi-Output) (Douglas 6V-370-S) (CM2046,CM2558)	
51	3841094	1	Rod, Holddown (CM2046,CM2558)	

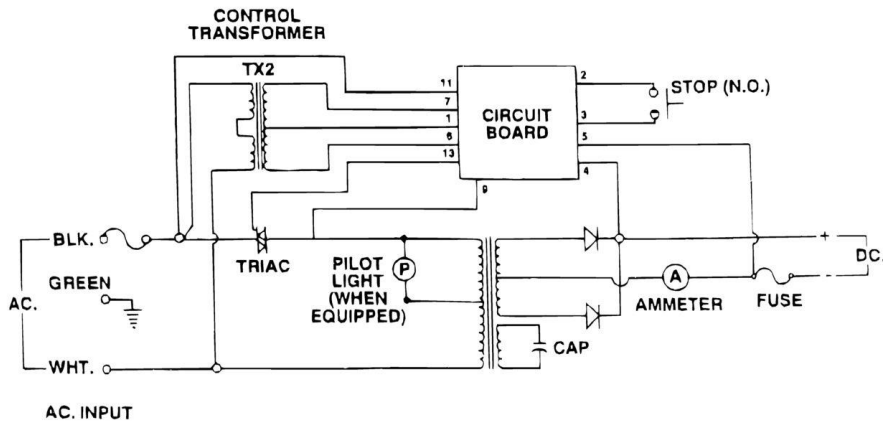
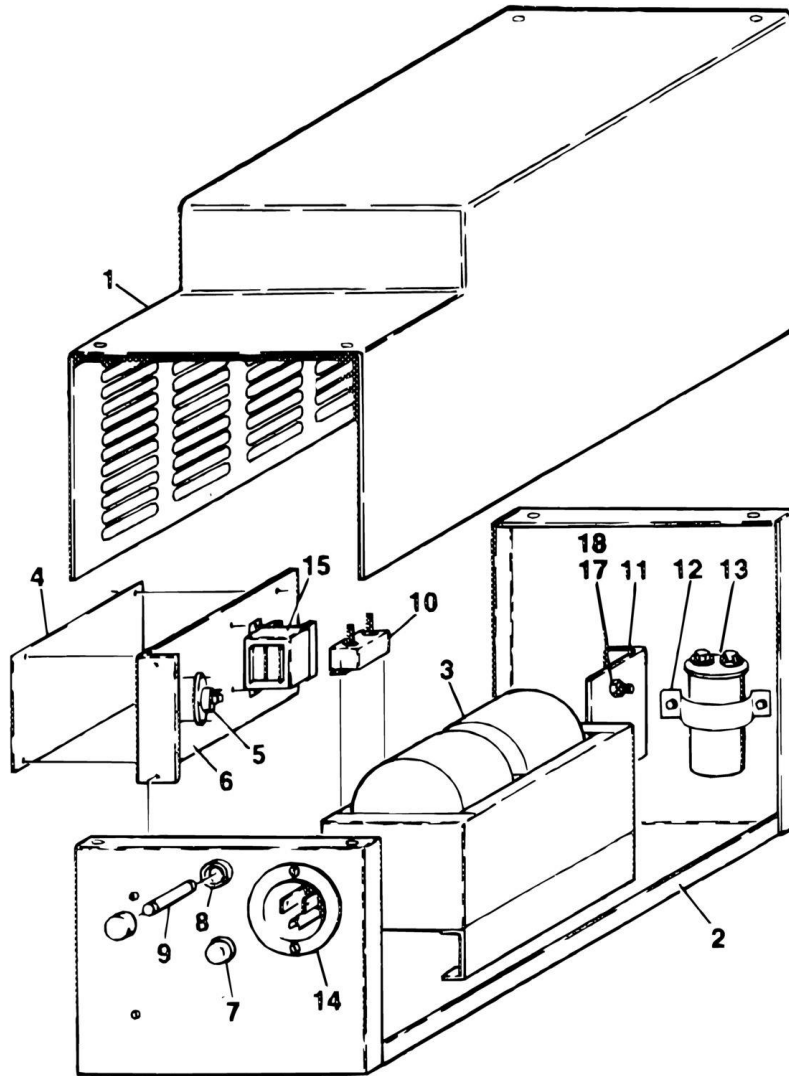
## SECTION 2 - 2 GROUND COMPONENTS

ITEM	PART NUMBER	QTY	DESCRIPTION	REV
52	1060054	1	Cable, Battery - 36 in/91.5cm Length (CM2046,CM2558)	
53	1060149	1	Cable, Battery - 54 in/137cm Length (CM2046,CM2558)	
54	Not Required	0	Not Required (CM2046,CM2558)	
55	Not Required	0	Not Required (CM2046,CM2558)	
	0251347	Ref	<b>BATTERY CHARGER INSTALLATION</b>	A
101	0400087	1	Battery Charger Assembly (See BATTERY CHARGER ASSEMBLY for Breakdown)	
102	0641406	2	Bolt 1/4in-20NC x 3/4in	
103	4761400	2	Lockwasher 1/4in	
104	4751400	2	Flatwasher 1/4in	
	0251788	Ref	<b>HORN INSTALLATION - WITH STEEL CONTROL BOX (OPTION)</b>	B
	0253465	Ref	<b>HORN INSTALLATION - WITH MOLDED CONTROL BOX (OPTION)</b>	A
201	0140022	1	Alarm, Horn	



# SECTION 2 - 2 GROUND COMPONENTS

## FIGURE 2-7. BATTERY CHARGER ASSEMBLY



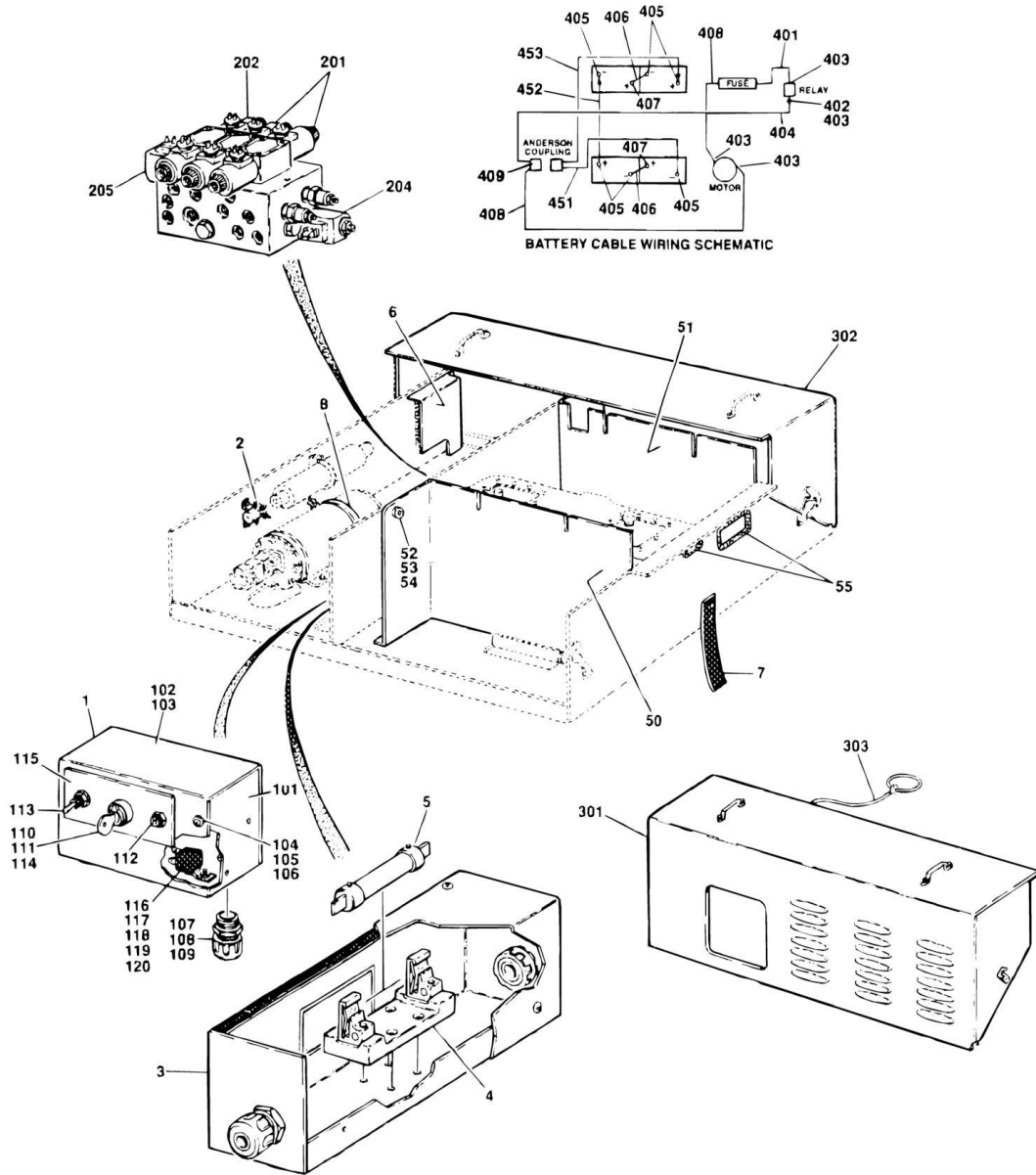
## SECTION 2 - 2 GROUND COMPONENTS

### FIGURE 2-7. BATTERY CHARGER ASSEMBLY

ITEM	PART NUMBER	QTY	DESCRIPTION	REV
	0400087	Ref	BATTERY CHARGER ASSEMBLY	B
1	Not Serviced	1	Cover, Case	
2	Not Serviced	1	Case, Main	
3	7011502	1	Transformer	
4		Ref	Circuit Board Options:	
4	7011515	1	Board, Circuit - Use 7011665 as Replacement (Without LED Lights) (Prior to November 1992)	
4	7011653	1	Board, Circuit - Use 7011665 as Replacement (With LED Lights) (November 1992 to January 1995)	
4	7011665	1	Board, Circuit (With LED Lights) (January 1995 to Present)	
4	70111680	1	Harness (8 Wire From PC Board)	
5	7011517	1	Triac	
6	7011516	1	Bracket, Mounting - Circuit Board	
7	7011506	1	Light, Pilot (When Equipped)	
8	7011507	1	Holder, Fuse	
9	7011508	1	Fuse - 15 Amp	
10	7011509	1	Breaker, Circuit	
11	7011558	1	Heatsink	
12	7011560	1	Strap, Mounting - Condenser	
13	7011512	1	Condenser - 7.5 mfd	
14	7011513	1	Receptacle - AC	
15	7011518	1	Control	
17	7011576	2	Diode	
18	7011596	1	Varistor	
	Note	Ref	<b>NOTE: See Serial Number Nameplate Located on Charger. First is the Chrger Spec and Date Code. Example: BA515(Spec) AP (Date Code). First Letter in the Date Code Indicates Month (A-January/B-February/C-March/etc. with Exception of Letter "I" which is not used). Second Letter Indicates Year (N-1992/O-1993/P-1994/S-1995/etc.)</b>	

# SECTION 2 - 2 GROUND COMPONENTS

## FIGURE 2-8. UL LISTED COMPONENTS INSTALLATION - GROUND COMPONENTS



## SECTION 2 - 2 GROUND COMPONENTS

**FIGURE 2-8. UL LISTED COMPONENTS INSTALLATION - GROUND COMPONENTS**

ITEM	PART NUMBER	QTY	DESCRIPTION	REV
		Ref	<b>UL LISTED COMPONENTS INSTALLATION - GROUND COMPONENTS</b>	
	Note	Ref	<b>Note: Shown here are Non-Standard Components used only on UL Listed Machines. Loss of UL Approval will Result If Unapproved Parts are used as Replacements.</b>	
	1281703	Ref	<b>GROUND CONTROLS INSTALLATION (STANDARD UL PARTS)</b>	-
1	0860748	1	Ground Control Box Assembly (See Items 101-120 for Breakdown)	
2	3740073	1	Relay - 200 Amp/24VDC	
3	0860626	1	Fuse Box Assembly	
3	3533904	1	Lid	
3	4460051	2	Connector, Strain Relief	
3	3300048	2	Locknut, Conduit	
3	0960238	2	Bushing	
3	3251960	1	Nameplate - Fuse	
4	2400027	1	Fuseholder	
5	2400025	1	Fuse - 200 Amp	
6	3535590	1	Cover - Terminal Strip	
7	4240084	1	Strap, Static	
8	2901207	1	Motor Band Kit	
	0252593	Ref	<b>GROUND CONTROLS INSTALLATION - WITH BANG-BANG DRIVE (VARIABLE UL PARTS) (CM2033)</b>	C
	0252307	Ref	<b>GROUND CONTROLS INSTALLATION - WITH PROPORTIONAL DRIVE/VARIABLE UL PARTS (CM2033)</b>	D
50	4060825	1	Shield, Battery (CM2033)	
51	4060826	1	Shield, Battery (CM2033)	
	0252594	Ref	<b>GROUND CONTROLS INSTALLATION - WITH BANG-BANG DRIVE (VARIABLE UL PARTS) (CM2046)</b>	C
	0252308	Ref	<b>GROUND CONTROLS INSTALLATION - WITH PROPORTIONAL DRIVE (VARIABLE UL PARTS) (CM2046)</b>	D
	0252595	Ref	<b>GROUND CONTROLS INSTALLATION - WITH BANG-BANG DRIVE (VARIABLE PARTS) (CM2546,CM2558)</b>	B
	0252309	Ref	<b>GROUND CONTROLS INSTALLATION - WITH PROPORTIONAL DRIVE (VARIABLE UL PARTS) (CM2546,CM2558)</b>	D
50	4060820	1	Shield, Battery (CM2046,CM2546,CM2558)	
51	4060821	1	Shield, Battery (CM2046,CM2546,CM2558)	
52	4460328	2	Connector, Strain Relief (CM2046,CM2546,CM2558)	
53	0960238	2	Bushing (CM2046,CM2546,CM2558)	
54	3300048	2	Locknut, Conduit (CM2046,CM2546,CM2558)	
55	2540002	4 ft	Grommet (CM2046,CM2546,CM2558)	
	0860748	Ref	<b>GROUND CONTROL BOX ASSEMBLY (STANDARD UL PARTS)</b>	-
101	0860747	1	Box	
102	3535575	1	Lid	
103	4420008	2 ft	Tape, Insulation	
104	0750806	4	Screw, Self-Tap #8 x 3/4in	
105	3300177	4	Nut, Tinnerman	
106	4740120	4	Washer, Nylon	
107	4460052	1	Connector, Strain Relief	
108	3300047	1	Locknut, Conduit	

## SECTION 2 - 2 GROUND COMPONENTS

ITEM	PART NUMBER	QTY	DESCRIPTION	REV
109	0960239	1	Bushing	
110	4360290	1	Keyswitch, Master	
110	7010698	1 st	Key Replacement	
111	4360267	1	Block, Switch	
112	4360070	1	Breaker, Circuit	
113	4360202	1	Switch, Toggle	
114	4360281	1	Block, Contact	
115	3252143	1	Nameplate	
116	3740069	1	Relay, Power - 24VDC	
117	3911012	1	Screw, Machine #10-24NC x 3/4in	
118	4751000	1	Flatwasher #10	
119	4761000	1	Lockwasher #10	
120	3311001	1	Nut #10-24NC	
	0253621	Ref	<b>VALVE ASSEMBLY MODIFICATIONS - UL</b>	-
201		Ref	Valve Assembly	
201	4640802	2	- With Bang-Bang Drive (Drive and Hi-Drive/Lift Sections)	
201	4640802	1	- With Proportional Drive (Hi-Drive/Lift Section Only)	
201	7010534	AR	Coil (2 Per Section)	
201	2900780	AR	Seal Kit (1 Per Section)	
202	4640803	1	Valve Assembly (Steer Section)	
202	7010534	2	Coil	
202	2900780	1	Seal Kit	
204	4640805	1	Valve, Cartridge (Posi-Trac)	
204	7010551	1	Coil - 16VDC	
204	7010507	1	Shell, Coil	
205	4640806	1	Valve, Cartridge (Mid Drive)	
205	7010551	1	Coil - 16VDC	
205	7010507	1	Shell, Coil	
	0252608	Ref	<b>SIDE COVER INSTALLATION (VARIABLE UL PARTS) (NOT SHOWN) (CM2033)</b>	-
301	4060818	1	Cover, Side (RH) (CM2033)	
302	4060819	1	Cover, Side (LH) (CM2033)	
303	1060380	2	Cable, Lanyard (CM2033)	
	0252315	Ref	<b>SIDE COVERS INSTALLATION (VARIABLE UL PARTS) (CM2046,CM2546,CM2558)</b>	-
301	4060799	1	Cover, Side (RH) (CM2046,CM2546,CM2558)	
302	4060801	1	Cover, Side (LH) (CM2046,CM2546,CM2558)	
	1060380	1	Cable, Lanyard (CM2046,CM2546,CM2558)	
	1281761	Ref	<b>BATTERIES INSTALLATION (STANDARD UL PARTS)</b>	B
401	1060182	1	Cable, Battery	
402	4460199	4	End, Terminal	
403	0840025	4	Boot, Terminal	
404	1060180	1	Cable, Battery	
405	0840032	6	Boot, Terminal (RH)	
406	1060084	2	Cable, Battery	
407	0840031	2	Boot, Terminal (LH)	
408	1060080	2	Cable, Battery	
409	4460490	2	Boot, Terminal	
	0252598	Ref	<b>BATTERIES INSTALLATION (VARIABLE UL PARTS) (CM2033)</b>	-
451	1060427	1	Cable Assembly (CM2033)	
452	1060103	1	Cable Assembly (CM2033)	
453	1060426	1	Cable Assembly (CM2033)	

## SECTION 2 - 2 GROUND COMPONENTS

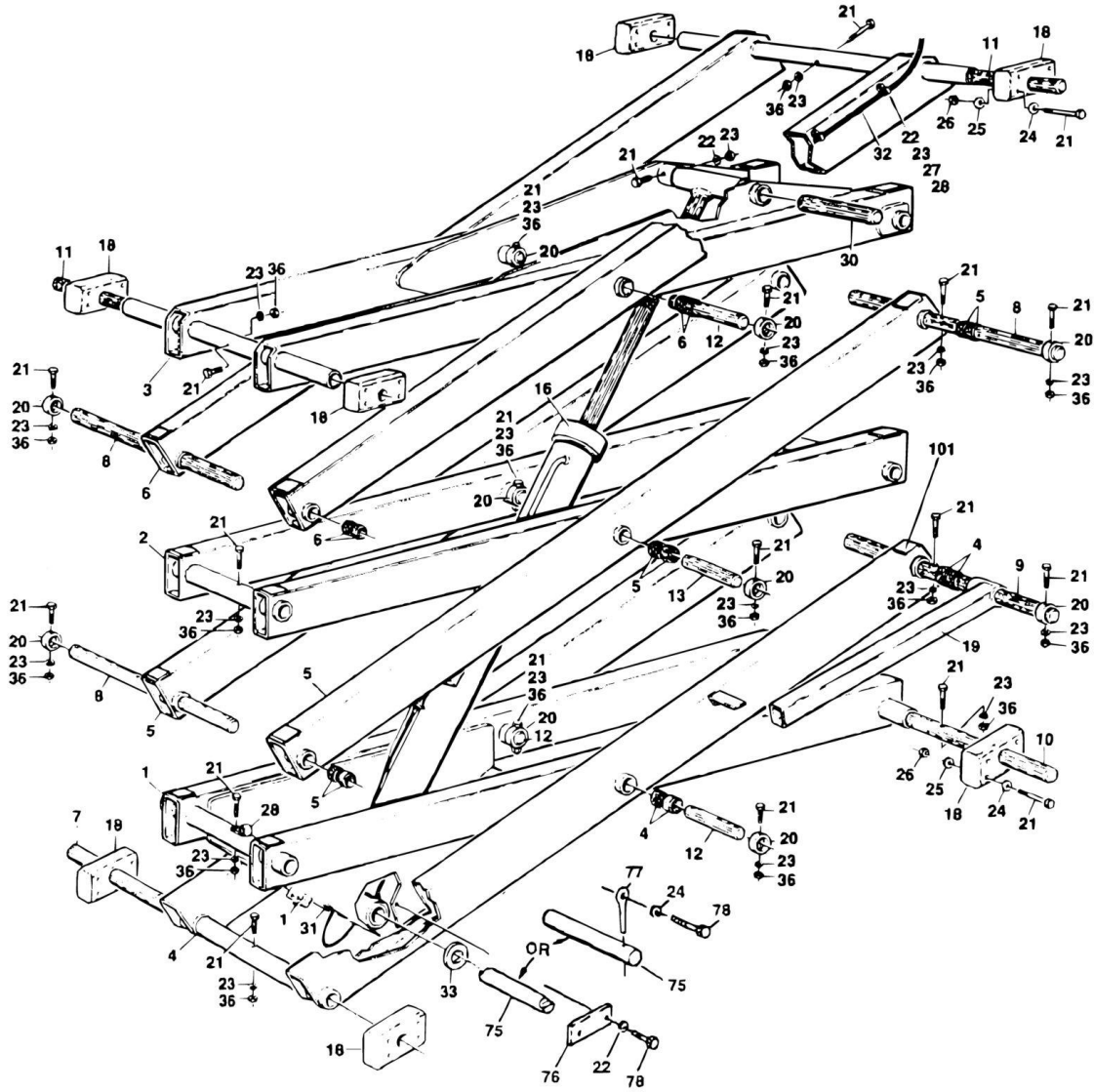
ITEM	PART NUMBER	QTY	DESCRIPTION	REV
	0252596	Ref	<b>BATTERIES INSTALLATION - WITH STANDARD BATTERIES BUILT PRIOR TO JUNE 1993 (VARIABLE UL PARTS) (CM2046)</b>	C
	0254259	Ref	<b>BATTERIES INSTALLATION - WITH STANDARD BATTERIES BUILT JUNE 1993 TO PRESENT (VARIABLE UL PARTS) (CM2046)</b>	A
	0252597	Ref	<b>BATTERIES INSTALLATION - WITH HI-OUTPUT BATTERIES BUILT PRIOR TO JUNE 1993 (VARIABLE UL PARTS) (CM2046)</b>	C
	0254249		<b>BATTERIES INSTALLATION - WITH HI-OUTPUT BATTERIES BUILT JUNE 1993 TO PRESENT (VARIABLE UL PARTS) (CM2046)</b>	
	0252596	Ref	<b>BATTERIES INSTALLATION - WITH STANDARD BATTERIES (VARIABLE UL PARTS) (CM2546,CM2558)</b>	C
	0252597	Ref	<b>BATTERIES INSTALLATION - WITH HI-OUTPUT BATTERIES (VARIABLE UL PARTS) (CM2546,CM2558)</b>	C
451	1060401	1	Cable Assembly (CM2046,CM2546,CM2558)	
452	1060400	1	Cable Assembly (CM2046,CM2546,CM2558)	
453	1060149	1	Cable Assembly (CM2046,CM2546,CM2558)	
	0400108	Ref	<b>BATTERY CHARGER ASSEMBLY - OFFBOARD (NOT SHOWN)</b>	-
	0400087	1	Battery Charger Assembly (See BATTERY CHARGER ASSEMBLY for Breakdown)	
	1060308	8 ft	Cable, Electrical - 12/3	
	4460025	1	Connector, Anderson	



**SECTION 3 - 3 SCIZZOR ARMS**

# SECTION 3 - 3 SCIZZOR ARMS

## FIGURE 3-1. SIZZOR ARMS INSTALLATION (CM2033,CM2046)



## SECTION 3 - 3 SCIZZOR ARMS

**FIGURE 3-1. SIZZOR ARMS INSTALLATION (CM2033,CM2046)**

ITEM	PART NUMBER	QTY	DESCRIPTION	REV
	0251105	Ref	<b>SIZZOR ARMS INSTALLATION (STANDARD PARTS)</b>	K
	0254838	Ref	<b>SIZZOR ARMS INSTALLATION - WITH HYDRAULICALLY EXTENDED PLATFORM (STANDARD PARTS) (CM2033)</b>	B
	0251105	Ref	<b>SIZZOR ARMS INSTALLATION - WITH HYDRAULICALLY EXTENDED PLATFORM (STANDARD PARTS) (CM2046)</b>	K
	2901375	1	Arm Kit	-
	2901368	1	Arm Kit - with Hydraulically Extended Platform (CM2033)	-
	2901375	1	Arm Kit - with Hydraulically Extended Platform (CM2046)	-
1	0200416	1	Arm Weldment (Bottom Inboard) (Prior to March 1993)	
1	0200508	1	Arm Weldment (Bottom Inboard) (March 1993 to Present)	
1	1320052	1	Clamp, Hose	
2	0200417	1	Arm Weldment (Mid Inboard)	
3	0200418	1	Arm Weldment (Top Inboard)	
3	0200527	1	Arm Weldment (Top Inboard) (with Hydraulically Extended Platform) (CM2033)	
4	0200420	1	Arm Weldment (Bottom Outboard)	
4	0961481	8	Bushing, Superoilite (8 Per Arm)	
5	0200421	2	Arm Weldment (Mid Ourboard)	
5	0961481	12	Bushing, Superoilite (6 Per Arm)	
6	0200422	1	Arm Weldment (Top Outboard)	
6	0200528	1	Arm Weldment (Top Outboard) (with Hydraulically Extended Platform) (CM2033)	
6	0961481	8	Bushing, Superollite (8 Per Arm)	
7	3421784	1	Pin, Pivot (Bottom Rear)	
8	3421781	3	Pin, Pivot (Mid Front, Mid Rear and Top Rear)	
9	3421782	1	Pin, Pivot (Bottom Front)	
10	3421783	1	Pin, Pivot (Bottom Front)	
11	3421785	2	Pin, Pivot (Top Rear and Top Front)	
11	3422368	1	Pin, Pivot (Top Rear and Top Front) (with Hydraulically Extended Platform) (CM2046)	
12	3421786	4	Pin, Pivot (Top Center and Bottom Center)	
13	3421795	2	Pin, Pivot (Mid Center)	
17		Ref	Lift Cylinder Sub-Assembly (See CYLINDER SECTION for Breakdown)	
18	3340601	8	Pad, Sliding Block	
19	4843090	1	Safety Prop Weldment	
20	1440224	14	Collar, Pivot Pin	
21	0641522	AR	Bolt 5/16in-18NC x 2 3/4in	
21	0641516	AR	Bolt 5/16in-18NC x 2in	
22	4761500	15	Lockwasher 5/16in	
23	3311501	38	Nut 5/16in-18NC	
24	4751500	24	Flatwasher 5/16in	
25	4711500	17	Flatwasher 5/16in Narrow	
26	3311505	16	Locknut 5/16in-18NC	
27	4300038	8	Stud (Welded on Part)	
28	1320061	9	Clamp	
29	0641506	2	Bolt 5/16in-18NC	
30	3421790	1	Pin, Attach (Lift Cylinder Rod)	
31	2540002	1 ft/.3m	Grommet	
32	2820025	7 ft/2.2m	Guard, Loom	
33	4740155	1	Washer, Thrust	

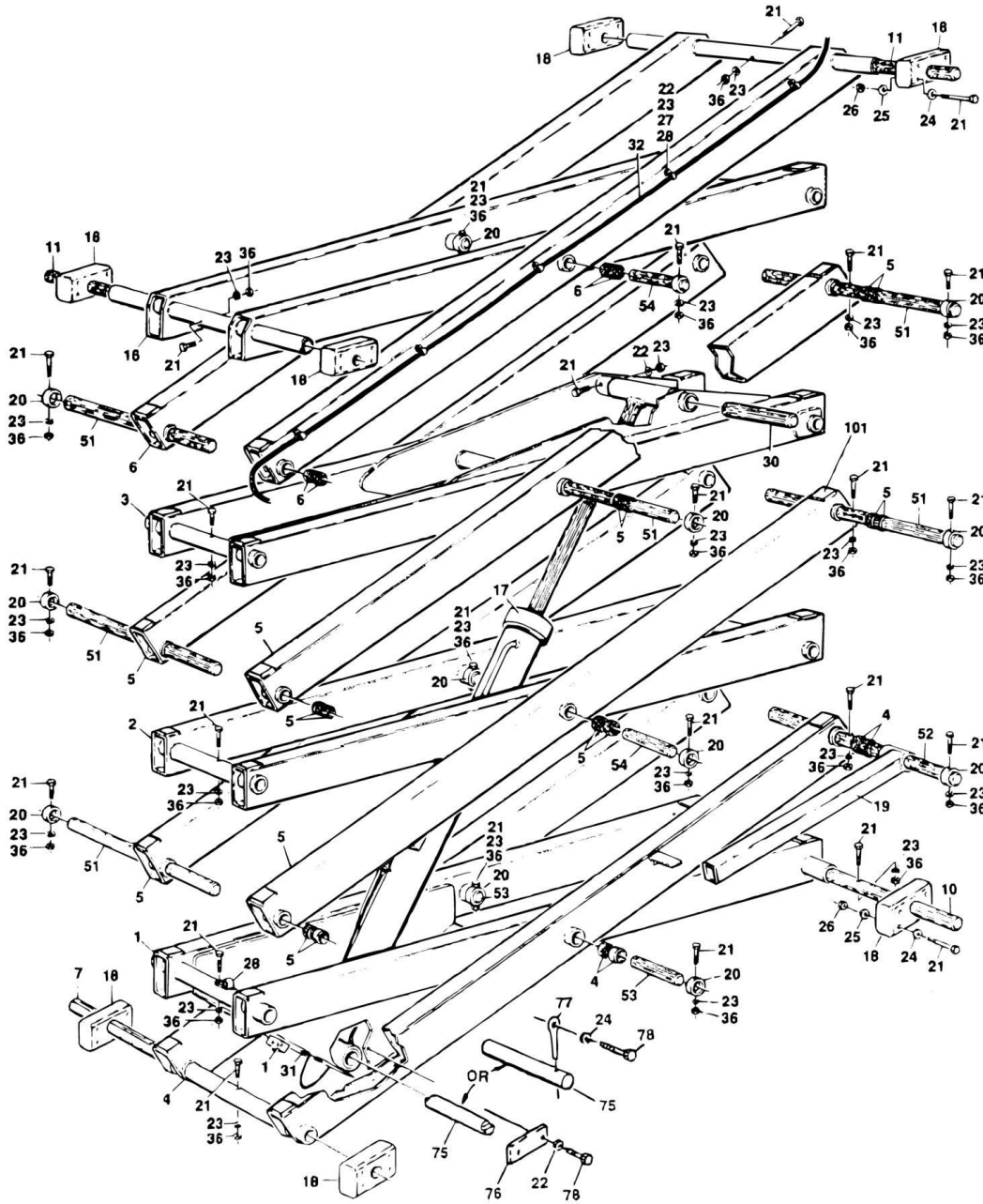
### SECTION 3 - 3 SCIZZOR ARMS

ITEM	PART NUMBER	QTY	DESCRIPTION	REV
36	3311505	23	Locknut 5/16in-18NC	
		Ref	<b>SIZZOR ARMS INSTALLATION (PRIOR TO MARCH 1993) (VARIABLE PARTS)</b>	
75	3421789	1	Pin, Attach (Lift Cylinder Barrel)	
76	3534472	2	Plate, Retainer	
77	Not Required	0	Not Required	
78	0641506	4	Bolt 5/16in-18NC x 3/4in	
		Ref	<b>SIZZOR ARMS INSTALLATION (MARCH 1993 TO PRESENT) (VARIABLE PARTS)</b>	
75	3422215	1	Pin, Attach (Lift Cylinder Barrel)	
76	Not Required	0	Not Required	
77	3841143	1	Pin, Keeper	
78	0641509	1	Bolt 5/16in-18NC x 1 1/8in	
	0252586	Ref	<b>ARM PADS INSTALLATION</b>	
101	3340645	16	Pad	-



# SECTION 3 - 3 SCIZZOR ARMS

## FIGURE 3-2. SIZZOR ARMS INSTALLATION (CM2546,CM2558)



## SECTION 3 - 3 SCIZZOR ARMS

**FIGURE 3-2. SIZZOR ARMS INSTALLATION (CM2546,CM2558)**

ITEM	PART NUMBER	QTY	DESCRIPTION	REV
	1281583	Ref	<b>SIZZOR ARMS INSTALLATION</b>	I
		Ref	<b>SIZZOR ARMS INSTALLATION (STANDARD PARTS)</b>	
	2901376	1	Arm Kit	-
1	0200416	1	Arm Weldment (Bottom Inboard) (Prior to March 1993)	
1	0200508	1	Arm Weldment (Bottom Inboard) (March 1993 to Present)	
1	1320052	1	Clamp, Hose	
2	0200417	1	Arm Weldment (Lower Mid Inboard)	
3	0200424	1	Arm Weldment (Upper Mid Inboard)	
4	0200420	1	Arm Weldment (Bottom Outboard)	
4	0961481	8	Bushing, Superoillite (8 Per Arm)	
5	0200421	4	Arm Weldment (Upper and Lower Mid Outboard)	
5	0961481	24	Bushing, Superoillite (6 Per Arm)	
6	0200422	1	Arm Weldment (Top Outboard)	
6	0961481	8	Bushing, Superoillite (8 Per Arm)	
7	3421784	1	Pin, Pivot (Bottom Rear)	
10	3421783	1	Pin, Pivot (Bottom Front)	
11	3421785	2	Pin, Pivot (Top Rear and Top Front)	
16	0200423	1	Arm Weldment (Top Inboard) (Part of Arm Kit)	
17		Ref	Lift Cylinder Sub-Assembly (See CYLINDER SECTION for Breakdown)	
18	3340601	8	Pad, Sliding Block	
19	4843090	1	Safety Prop Weldment	
20	1440224	20	Collar, Pivot Pin	
21	0641522	55	Bolt 5/16in-18NC x 2 3/4in	
22	4761500	14	Lockwasher 5/16in	
23	3311501	39	Nut 5/16in-18NC	
24	4751500	24	Flatwasher 5/16in	
25	4711500	17	Flatwasher 5/16in Narrow	
26	3311505	16	Locknut 5/16in-18NC	
27	4300038	5	Stud (Welded on Part)	
28	1320061	6	Clamp	
29	0641506	2	Bolt 5/16in-18NC	
30	3421790	1	Pin, Attach (Lift Cylinder Rod)	
31	2540002	1 ft/.3m	Grommet	
32	2820025	9 ft/2.8m	Guard, Loom	
33	4740155	1	Washer, Thrust	
36	3311505	33	Locknut 5/16in-18NC	
	0251106	Ref	<b>SIZZOR ARMS INSTALLATION - STANDARD MACHINE (VARIABLE PARTS)</b>	K
51	3421781	6	Pin, Pivot (Mid Front, Mid Rear, Upper Mid Center and Top Rear)	
52	3421782	1	Pin, Pivot (Bottom Front)	
53	3421786	2	Pin, Pivot (Bottom Center)	
54	3421795	4	Pin, Pivot (Top Center and Lower Mid Center)	
	0251821	Ref	<b>SIZZOR ARMS INSTALLATION - CSA SPECS (VARIABLE PARTS)</b>	G
51	3421888	6	Pin, Pivot (Mid Front, Mid Rear, Upper Mid Center and Top Rear)	
52	3421893	1	Pin, Pivot (Bottom Front)	
53	3421890	2	Pin, Pivot (Bottom Center)	
54	3421889	4	Pin, Pivot (Top Center and Lower Mid Center)	

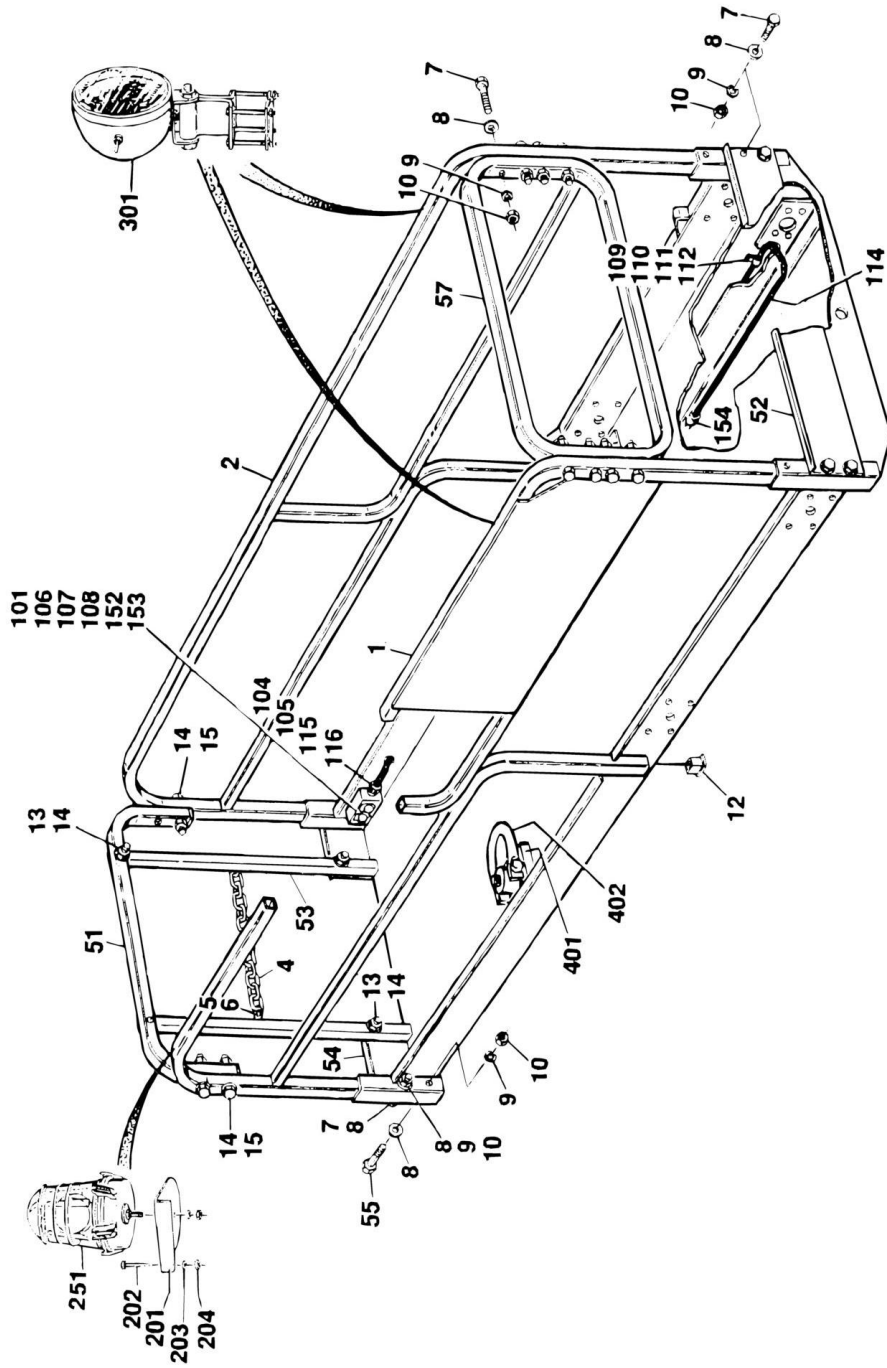
### SECTION 3 - 3 SCIZZOR ARMS

ITEM	PART NUMBER	QTY	DESCRIPTION	REV
		Ref	<b>SIZZOR ARMS INSTALLATION (PRIOR TO MARCH 1993) (VARIABLE PARTS)</b>	
75	3421789	1	Pin, Attach (Lift Cylinder Barrel)	
76	3534472	2	Plate, Retainer	
77	Not Required	0	Not Required	
78	0641506	4	Bolt 5/16in-18NC x 3/4in	
		Ref	<b>SIZZOR ARMS INSTALLATION (MARCH 1993 TO PRESENT) (VARIABLE PARTS)</b>	
75	3422215	1	Pin, Attach (Lift Cylinder Barrel)	
76	Not Required	0	Not Required	
77	3841143	1	Pin, Keeper	
78	0641509	1	Bolt 5/16in-18NC x 1 1/8in	
	0252587	Ref	<b>ARM PADS INSTALLATION</b>	
101	3340645	24	Pad	-

**SECTION 4 - 4 PLATFORM**

# SECTION 4 - 4 PLATFORM

## FIGURE 4-1. STANDARD HANDRAILS AND ACCESSORIES INSTALLATIONS



## SECTION 4 - 4 PLATFORM

**FIGURE 4-1. STANDARD HANDRAILS AND ACCESSORIES INSTALLATIONS**

ITEM	PART NUMBER	QTY	DESCRIPTION	REV
		Ref	<b>STANDARD HANDRAILS AND ACCESSORIES INSTALLATION</b>	
		Ref	<b>PLATFORM OPTIONS:</b>	
	3510264	1	Platform - All (Prior to April 1992) (CM2033)	
	3510369	1	Platform - With Fixed Deck Built (April 1992 to Present) (CM2033)	
	3510367	1	Platform - With Extendable Deck Built (April 1992 to Present) (CM2033)	
	3510313	1	Platform - All (Prior to April 1992) (CM2046,CM2546)	
	3510370	1	Platform - With Fixed Deck Built (April 1992 to Present) (CM2046,CM2546)	
	3510404	1	Platform - With Fixed Deck and Optional Tread Grip Floor (CM2046,CM2546)	
	3510368	1	Platform - With Extendable Deck Built (April 1992 to Present) (CM2046,CM2546)	
	3510403	1	Platform - With Extendable Deck and Optional Tread Grip Floor (CM2046,CM2546)	
	3510314	1	Platform - All (Prior to April 1993) (CM2558)	
	3510416	1	Platform - With Fixed Deck Built (April 1993 to Present) (CM2558)	
	3510417	1	Platform - With Extendable Deck Built (April 1993 to Present) (CM2558)	
	3510420	1	Platform - With Extendable Deck and Optional Tread Grip Floor (CM2558)	
	3510418	1	Platform - With Extendable Deck and Optional Tread Grip Floor and Harness Rings (CM2558)	
		Ref	<b>STANDARD HANDRAILS INSTALLATION (STANDARD PARTS)</b>	
1	3640727	1	Handrail -Right Side	
2	3640728	1	Handrail - Left Side	
4	1260136	2 ft/61m	Chain	
5	3010088	2	Link	
6	2940064	1	Snap-Hook	
7	0641424	AR	Bolt 1/4in - 20NC x 3in	
8	4711400	AR	Flatwasher 1/4in Narrow	
9	4761400	AR	Lockwasher 1/4in	
10	3311401	AR	Nut 1/4in - 20NC	
12	3520072	6	Plug, Cap	
13	3300373	4	Nut, Joint Connector 1 1/4in	
14	3900184	12	Screw, Button Head #10-24NC x 5/8in	
15	3300375	4	Nut, Joint Connector 2 3/8in	
	0251303	Ref	<b>STANDARD HANDRAILS INSTALLATION (WITH FIXED DECK-NOT SHOWN) (VARIABLE PARTS) (CM2033)</b>	F
51	4565201	1	Tube, Handrail - Rear (CM2033)	
52	3534682	1	Kickplate -Front (CM2033)	
53	Not Required	0	Not Required (CM2033)	
54	Not Required	0	Not Required (CM2033)	
55	Not Required	0	Not Required (CM2033)	
57	3640796	1	Tube, Handrail - Front (CM2033)	
	0251304	Ref	<b>STANDARD HANDRAILS INSTALLATION (WITH EXTENDABLE DECK - NOT SHOWN) (VARIABLE PARTS) (CM2033)</b>	E
51	4565201	1	Tube, Handrail -Rear (CM2033)	
52	Not Required	0	Not Required (CM2033)	
53	Not Required	0	Not Required (CM2033)	

## SECTION 4 - 4 PLATFORM

ITEM	PART NUMBER	QTY	DESCRIPTION	REV
54	Not Required	0	Not Required (CM2033)	
55	Not Required	1	Not Required (CM2033)	
57	Not Required	0	Not Required (CM2033)	
	0251392	Ref	<b>STANDARD HANDRAIL INSTALLATION (WITH FIXED DECK) (VARIABLE PARTS) (CM2046,CM2546)</b>	F
51	4565202	1	Tube, Handrail - Rear (CM2046,CM2546)	
52	3534740	1	Kickplate - Front (CM2046,CM2546)	
53	3640713	2	Tube, Handrail - Rear Vertical (CM2046,CM2546)	
54	3534742	2	Kickplate - Rear (CM2046,CM2546)	
55	0641408	4	Bolt 1/4in - 20NC x 1in (CM2046,CM2546)	
57	4564731	2	Tube, Handrail - Front (CM2046,CM2546)	
	0251393	Ref	<b>STANDARD HANDRAIL INSTALLATION (WITH EXTENDABLE DECK) (VARIABLE PARTS) (CM2046,CM2546)</b>	F
51	4565202	1	Tube, Handrail - Rear (CM2046,CM2546)	
52	Not Required	0	Not Required (CM2046,CM2546)	
53	3640713	2	Tube, Handrail - Rear Vertical (CM2046,CM2546)	
54	3534742	2	Kickplate - Rear (CM2046,CM2546)	
55	0641408	4	Bolt 1/4in - 20NC x 1in (CM2046,CM2546)	
57	Not Required	0	Not Required (CM2046,CM2546)	
	0251394	Ref	<b>STANDARD HANDRAIL INSTALLATION (WITH FIXED DECK) (VARIABLE PARTS) (CM2558)</b>	F
51	4565203	1	Tube, Handrail - Rear (CM2558)	
52	3534741	1	Kickplate - Front (CM2558)	
53	3640713	2	Tube, Handrail - Rear Vertical (CM2558)	
54	3534743	2	Kickplate - Rear (CM2558)	
55	0641408	1	Bolt 1/4in-20NC x 1in (CM2558)	
57	4564732	2	Tube, Handrail (CM2558)	
	0251395	Ref	<b>STANDARD HANDRAIL INSTALLATION (WITH EXTENDABLE DECK) (VARIABLE PARTS) (CM2558)</b>	F
51	4565203	1	Tube, Handrail - Rear (CM2558)	
52	Not Required	0	Not Required (CM2558)	
53	3640713	2	Tube, Handrail - Rear Vertical (CM2558)	
54	3534743	2	Kickplate - Rear (CM2558)	
55	0641408	4	Bolt 1/4in - 20NC x 1in (CM2558)	
57	Not Required	0	Not Required (CM2558)	
	1281573	Ref	<b>OPTIONAL RECEPTABLE INSTALLATION (STANDARD PARTS WHEN EQUIPPED)</b>	B
101	0860038	1	Box, Electrical	
104	4460051	1	Connector, Strain Relief	
105	0960407	1	Bushing, Reducer	
106	0721004	4	Bolt #10-24NC x 1/2in	
107	4751000	4	Flatwasher #10	
108	4761000	4	Lockwasher #10	
109	1320061	10	Clamp	
110	4761400	8	Lockwasher 1/4in	
111	3311401	8	Nut 1/4in - 20NC	
112	4300032	8	Stud (Welded on Part)	
114	1060308	Ref	Cable, Electrical - 12/3	
114	1060308	42 ft/13m	Cable, Electrical - 12/3 (CM2033,CM2046)	
114	1060308	45 ft/14m	Cable, Electrical - 12/3 (CM2546,CM2558)	
115	1700598	2	Decal -Wire Marker (Ground)	
116	1700599	2	Decal -Wire Marker (Neutral)	

## SECTION 4 - 4 PLATFORM

ITEM	PART NUMBER	QTY	DESCRIPTION	REV
	0251759	Ref	<b>OPTIONAL 110 VOLT RECEPTABLE INSTALLATION - STANDARD RECEPTABLE (VARIABLE PARTS) (CM2033)</b>	D
	0251778	Ref	<b>OPTIONAL 110 VOLT RECEPTABLE INSTALLATION - STANDARD RECEPTABLE (VARIABLE PARTS) (CM2046)</b>	D
	0251780	Ref	<b>OPTIONAL 110 VOLT RECEPTABLE INSTALLATION - STANDARD RECEPTABLE (VARIABLE PARTS) (CM2046,CM2558)</b>	D
152	4460190	1	Receptable, Standard	
153	4060092	1	Shield, Cover	
154	4460138	1	Plug	
	2251777	Ref	<b>OPTIONAL 110 VOLT RECEPTABLE INSTALLATION - GROUND FAULT INTERRUPT RECEPTABLE (VARIABLE PARTS) (CM2033)</b>	D
	0251779	Ref	<b>OPTIONAL 110 VOLT RECEPTABLE INSTALLATION - GROUND FAULT INTERRUPT RECEPTABLE (VARIABLE PARTS) (CM2046)</b>	D
	0251781	Ref	<b>OPTIONAL 110 VOLT RECEPTABLE INSTALLATION - GROUND FAULT INTERRUPT RECEPTABLE (VARIABLE PARTS) (CM2546,CM2558)</b>	D
152	4460346	1	Receptacle, Ground Fault Interrupt	
153	4060700	1	Shield, Cover	
154	4460205	1	Plug	
	0252714	Ref	<b>OPTIONAL 110 VOLT RECEPTABLE INSTALLATION - U/L APPROVED RECEPTABLE (VARIABLE PARTS) (CM2033)</b>	-
	0252715	Ref	<b>OPTIONAL 110 VOLT RECEPTABLE INSTALLATION - U/L APPROVED RECEPTABLE (VARIABLE PARTS) (CM2046)</b>	-
	0252716	Ref	<b>OPTIONAL 110 VOLT RECEPTABLE INSTALLATION - U/L APPROVED RECEPTABLE (VARIABLE PARTS) (CM2546,CM2558)</b>	-
152	4460347	1	Receptacle, U/L Approved	
153	4460347	1	Shield, Cover	
154	4460138	1	Plug	
	0254378	Ref	<b>OPTIONAL 220 VOLT RECEPTLE INSTALLATION (VARIABLE PARTS) (CM2033,CM2046)</b>	A
	0254379	Ref	<b>OPTIONAL 220 VOLT RECEPTACLE INSTALLATION (VARIABLE PARTS) (CM2546,CM2558)</b>	A
152	Supply Locally	1	Receptacle, Standard	
153	4060092	1	Shield, Cover	
	1281952	Ref	<b>OPTIONAL ROTATING BEACON LIGHT INSTALLATION (STANDARD PARTS WHEN EQUIPPED)</b>	A
201	0901546	1	Bracket	
202	0641414	2	Bolt 1/4in - 20NC x 1 3/4in	
203	4751400	2	Flatwasher 1/4in	
204	3311505	2	Locknut 1/4in - 20NC	
	0253476	Ref	<b>OPTIONAL ROTATING BEACON LIGHT INSTALLATION (VARIABLE PARTS) (CM2033,CM2046)</b>	-
	0253477	Ref	<b>OPTIONAL ROTATING BEACON LIGHT INSTALLATION (U/L) (VARIABLE PARTS) (CM2033,CM2046)</b>	-
	0253478	Ref	<b>OPTIONAL ROTATING BEACON LIGHT INSTALLATION (VARIABLE PARTS) (CM2546,CM2558)</b>	-
	0253479	Ref	<b>OPTIONAL ROTATING BEACON LIGHT INSTALLATION (U/L) (VARIABLE PARTS) (CM2546,CM2558)</b>	-
251	2920087	1	Light, Beacon - Standard	
251	2920092	1	Light, Beacon - U/L Approved (Not Shown)	
	0253504	Ref	<b>OPTIONAL WORKLIGHTS INSTALLATION (CM2033,CM2046)</b>	-

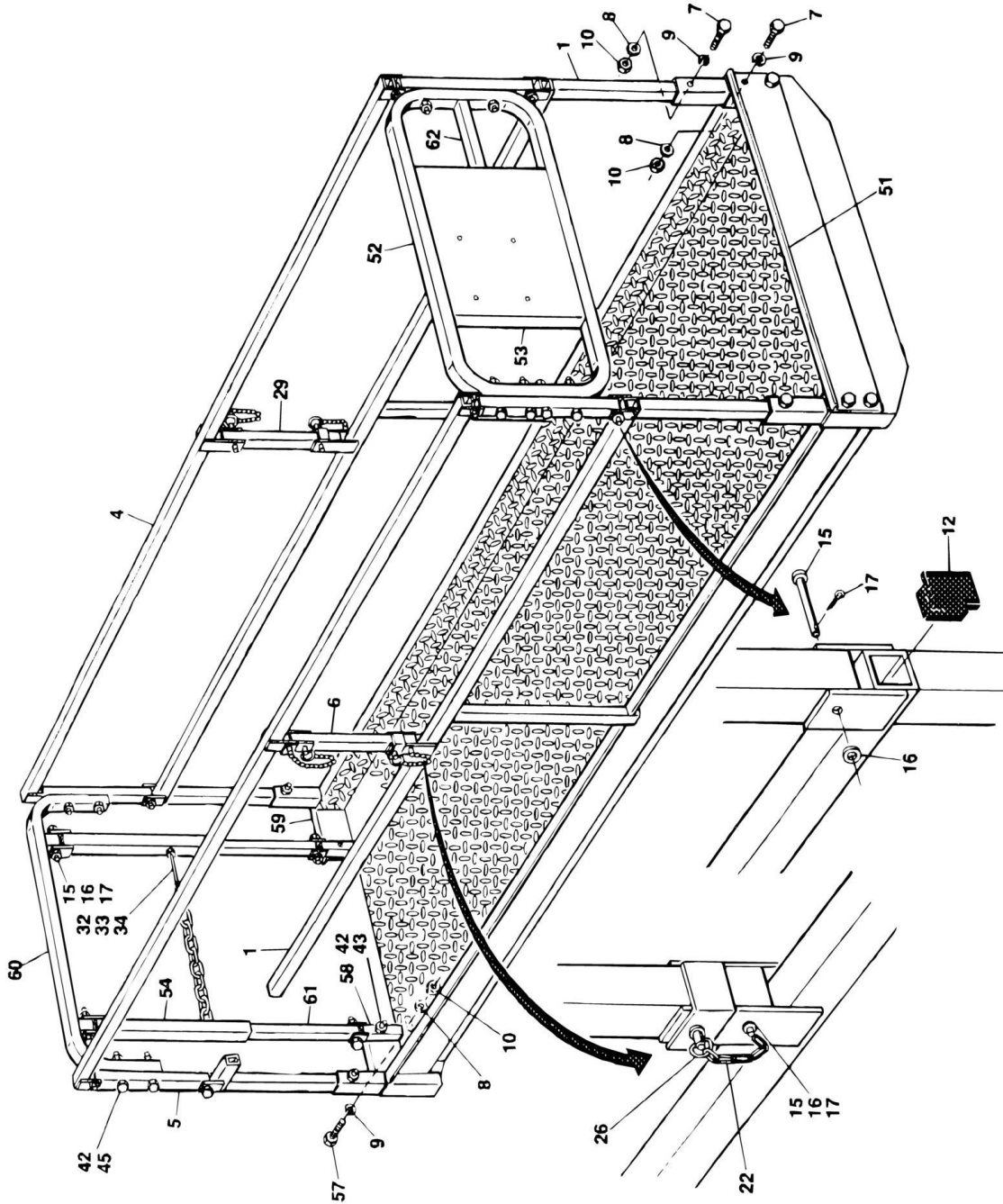
## SECTION 4 - 4 PLATFORM

ITEM	PART NUMBER	QTY	DESCRIPTION	REV
	0253505	Ref	<b>OPTIONAL WORKLIGHTS INSTALLATION (U/L) (VARIABLE PARTS) (CM2033,CM2046)</b>	-
	0253506	Ref	<b>OPTIONAL WORKLIGHTS INSTALLATION (VARIABLE PARTS) (CM2546,CM2558)</b>	-
	0253507	Ref	<b>OPTIONAL WORKLIGHTS INSTALLATION (U/L) (VARIABLE PARTS) (CM2546,CM2558)</b>	-
301	2920088	2	Worklight (Standard Machines Built Prior to August 1992)	
301	2920093	2	Worklight (Standard Machines Built August 1992 to Present and All U/L Approved Machines)	
	0253544	Ref	<b>OPTIONAL HARNESS ATTACH RINGS INSTALLATION</b>	-
401	3534309	2	Plate, Ring Attach	
402	3760274	2	Ring, Lanyard	



# SECTION 4 - 4 PLATFORM

## FIGURE 4-2. OPTIONAL FOLD-DOWN HANDRAIL INSTALLATIONS



## SECTION 4 - 4 PLATFORM

**FIGURE 4-2. OPTIONAL FOLD-DOWN HANDRAIL INSTALLATIONS**

ITEM	PART NUMBER	QTY	DESCRIPTION	REV
		Ref	<b>OPTIONAL FOLD-DOWN HANDRAIL INSTALLATIONS</b>	
		Ref	<b>FOLD-DOWN HANDRAIL INSTALLATION - ALL DECKS (STANDARD PARTS WHEN EQUIPPED)</b>	
1	3640738	2	Handrail - Lower Side	
4	3640740	2	Handrail -Top Side	
5	4565191	4	Tube - Ends	
6	3640742	1	Tube - Center (Right Side)	
7	0641424	AR	Bolt 1/4in - 20NC x 3in	
8	4751400	AR	Flatwasher 1/4in	
9	4761400	AR	Lockwasher 1/4in	
10	3311401	AR	Nut 1/4in -20NC	
12	3520072	22	Plug, Cap	
15	3430416	16	Pin, Clevis 1/4in x 2in	
16	4711400	42	Flatwasher 1/4in	
17	3450203	16	Pin, Cotter 1/16in x 3/4in	
22	1260017	28 in/.7m	Chain (4 Lengths 7 in/17.8 cm each)	
26	3421913	4	Pin, Quick Release	
29	3640753	1	Tube - Center (Left Side)	
32	1260136	2.5 ft/.8m	Chain	
33	3010088	2	Link	
34	2700056	1	Snap-Hook	
42	3900184	10	Screw, Button Head #10-24NC x 5/8in	
43	3300373	6	Nut, Joint Connector 1 1/4in	
45	3300375	4	Nut, Joint Connector 2 3/8in	
	0252680	Ref	<b>FOLD-DOWN HANDRAIL INSTALLATION - WITH FIXED DECK (VARIABLE PARTS) (CM2033)</b>	C
51	3534682	1	Kickplate - Front (CM2033)	
52	4564730	2	Handrail - Front (CM2033)	
53	3533091	1	Plate, Mounting - Control Box (CM2033)	
54	Not Required	0	Not Required (CM2033)	
57	Not Required	0	Not Required (CM2033)	
58	Not Required	0	Not Required (CM2033)	
59	Not Required	0	Not Required (CM2033)	
60	4565285	1	Handrail - Rear (CM2033)	
61	Not Required	0	Not Required (CM2033)	
62	Not Required	0	Not Required (CM2033)	
	0252681	Ref	<b>FOLD-DOWN HANDRAIL INSTALLATION - WITH EXTENDABLE DECK (VARIABLE PARTS) (CM2033)</b>	C
51	Not Required	0	Not Required (CM2033)	
52	Not Required	0	Not Required (CM2033)	
53	Not Required	0	Not Required (CM2033)	
54	Not Required	0	Not Required (CM2033)	
57	Not Required	0	Not Required (CM2033)	
58	Not Required	0	Not Required (CM2033)	
59	Not Required	0	Not Required (CM2033)	
60	4565285	1	Handrail - Rear (CM2033)	
61	Not Required	0	Not Required (CM2033)	
62	Not Required	0	Not Required (CM2033)	
	0252676	Ref	<b>FOLD-DOWN HANDRAIL INSTALLATION - WITH FIXED DECK (VARIABLE PARTS) (CM2046,CM2546)</b>	B

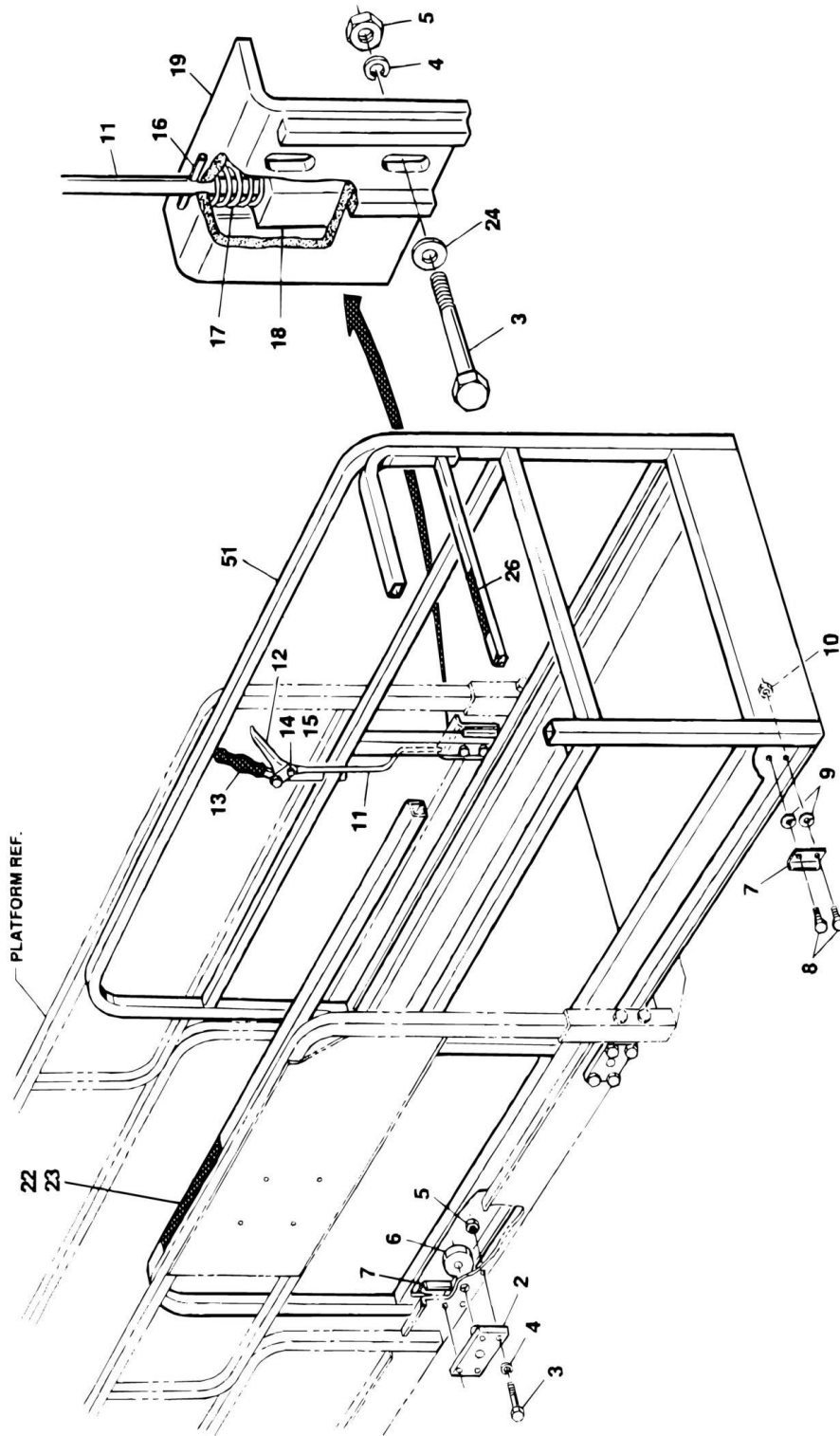
## SECTION 4 - 4 PLATFORM

ITEM	PART NUMBER	QTY	DESCRIPTION	REV
51	3534740	1	Kickplate - Front (CM2046,CM2546)	
52	4564731	2	Handrail - Front (CM2046,CM2546)	
53	3533091	1	Plate, Mounting - Control Box (CM2046,CM2546)	
54	3640743	2	Handrail - Top Rear Vertical (CM2046,CM2546)	
57	0641408	4	Bolt 1/4in 20NC x 1in (CM2046,CM2546)	
58	3640761	2	Handrail - Bottom Rear Vertical (CM2046,CM2546)	
59	3535337	2	Kickplate - Rear (CM2046,CM2546)	
60	3640744	2	Handrail - Rear (CM2046,CM2546)	
61	4565261	2	Handrail - Center Rear Vertical (CM2046,CM2546)	
62	4565598	1	Tube, Support (CM2046,CM2546)	
	0252677	Ref	<b>FOLD-DOWN HANDRAIL INSTALLATION - WITH EXTENDABLE DECK (VARIABLE PARTS) (CM2046,CM2546)</b>	B
51	Not Required	0	Not Required (CM2046,CM2546)	
52	Not Required	0	Not Required (CM2046,CM2546)	
53	Not Required	0	Not Required (CM2046,CM2546)	
54	3640743	2	Handrail - Top Vertical (CM2046,CM2546)	
57	0641408	4	Bolt 1/4in - 20NC x 1in (CM2046,CM2546)	
58	3640761	2	Handrail - Bottom Rear Vertical (CM2046,CM2546)	
59	3535337	2	Kickplate - Rear (CM2046,CM2546)	
60	3640744	1	Handrail - Rear (CM2046,CM2546)	
61	4565261	2	Handrail - Center Rear Vertical (CM2046,CM2546)	
62	Not Required	0	Not Required (CM2046,CM2546)	
	0252678	Ref	<b>FOLD-DOWN HANDRAIL INSTALLATION - WITH FIXED DECK (VARIABLE PARTS) (CM2558)</b>	B
51	3534741	1	Kickplate - Front (CM2558)	
52	4564732	2	Handrail - Front (CM2558)	
53	3533091	1	Plate, Mounting - Control Box (CM2558)	
54	3640743	1	Handrail - Top Rear Vertical (CM2558)	
57	0641408	4	Bolt 1/4in -20NC x 1in (CM2558)	
58	3640761	2	Handrail -Bottom Rear Vertical (CM2558)	
59	3535492	2	Kickplate - Rear (CM2558)	
60	3640745	1	Handrail - Rear (CM2558)	
61	4565261	2	Handrail - Center Rear Vertical (CM2558)	
62	4565599	1	Tube, Support (CM2558)	
	0252679	Ref	<b>FOLD-DOWN HANDRAIL INSTALLATION - WITH EXTENDABLE DECK (VARIABLE PARTS) (CM2558)</b>	B
51	Not Required	0	Not Required (CM2558)	
52	Not Required	0	Not Required (CM2558)	
53	Not Required	0	Not Required (CM2558)	
54	3640743	2	Handrail - Top Rear Vertical (CM2558)	
57	0641408	4	Bolt 1/4in 20NC x 1in (CM2558)	
58	3640761	2	Handrail - Bottom Rear Vertical (CM2558)	
59	3535492	2	Kickplate - Rear (CM2558)	
60	3640745	1	Handrail - Rear (CM2558)	
61	4565261	2	Handrail - Central Rear Vertical (CM2558)	
62	Not Required	0	Not Required (CM2558)	



# SECTION 4 - 4 PLATFORM

FIGURE 4-3. OPTIONAL EXTENDABLE DECK INSTALLATION WITH STANDARD HANDRAILS



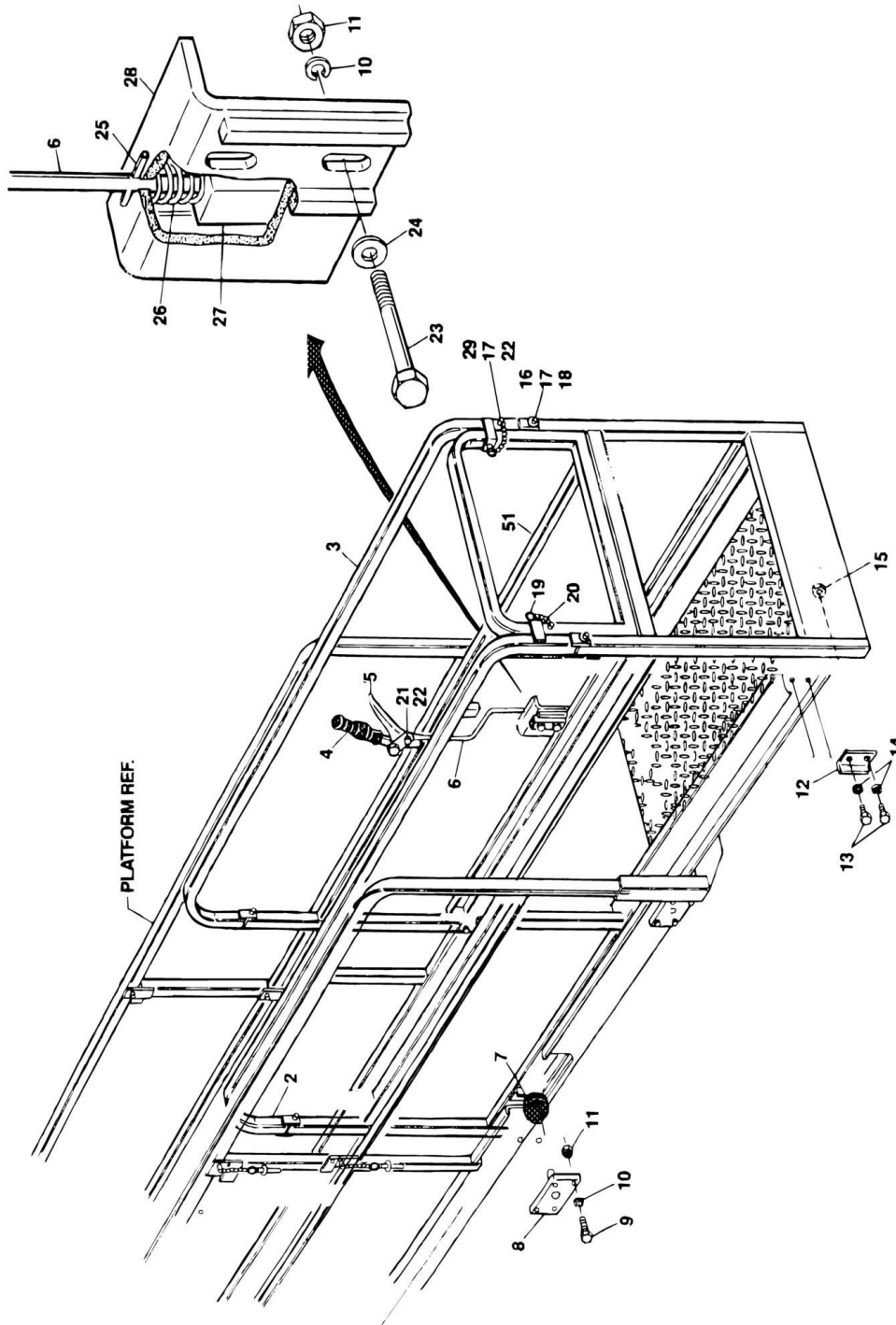
## SECTION 4 - 4 PLATFORM

**FIGURE 4-3. OPTIONAL EXTENDABLE DECK INSTALLATION WITH STANDARD HANDRAILS**

ITEM	PART NUMBER	QTY	DESCRIPTION	REV
		Ref	<b>OPTIONAL EXTENDABLE DECK INSTALLATION WITH STANDARD HANDRAILS</b>	
	1281415	Ref	<b>EXTENDABLE DECK INSTALLATION (STANDARD PARTS WHEN EQUIPPED)</b>	E
2	4843706	4	Mounting Weldment - Roller	
3	0641508	16	Bolt 5/16in - 18NC x 1in	
4	4761500	18	Lockwasher 5/16in	
5	3311501	16	Nut 5/16in - 18NC	
6	3860052	4	Roller	
6	4712200	AR	Shim, Flatwasher (Steel)	
6	4740066	AR	Shim, Flatwasher (Thin Bronze)	
7	0181684	4	Angle, Stop	
8	0641408	8	Bolt 1/4in - 20NC x 1in	
9	4761400	12	Lockwasher 1/4in	
10	3311401	8	Nut 1/4in-20NC	
11	3841074	1	Rod, Release	
12	2980113	1	Release Lever Assembly	
13	2560088	1	Grip, Handle	
14	0641406	1	Bolt 1/4in-20NC x 3/4in	
15	3311405	1	Locknut 1/4in - 20NC	
16	3440413	2	Rollpin 1/8in x 13/16in	
17	4160078	1	Spring	
18	0361912	1	Bar, Latch	
19	2940061	1	Latch Weldment	
22	3251852	1	Nameplate - Capacity	
23	3820001	2	Rivet	
24	4751500	4	Flatwasher 5/16in	
25	0641516	2	Bolt 5/16in - 18NC x 2in	
26	3252136	1	Nameplate -Control Box Location	
	0251202	Ref	<b>EXTENDABLE DECK INSTALLATION (VARIABLE PARTS) (CM2033)</b>	E
	0253536	Ref	<b>EXTENDABLE DECK INSTALLATION (VARIABLE PARTS) (CM2033) (Including 7861 and 7862)</b>	-
	0251249	Ref	<b>EXTENDABLE DECK INSTALLATION (VARIABLE PARTS) (CM2046,CM2046,CM2546,CM2546)</b>	
	0251250	Ref	<b>EXTENDABLE DECK INSTALLATION (VARIABLE PARTS) (CM2558)</b>	
51		Ref	<b>EXTENDABLE PLATFORM DECK OPTIONS:</b>	
51	3510489	1	Extendable Platform Deck (CM2033)	
51	3510396	1	Extendable Platform Deck (CM2033) <b>(Including 7861 and 7862)</b>	
51	3510316	1	Extendable Platform Deck (CM2046,CM2546)	
51	3510317	1	Extendable Platform Deck (CM2558)	

# SECTION 4 - 4 PLATFORM

FIGURE 4-4. OPTIONAL EXTENDABLE DECK INSTALLATION WITH FOLD-DOWN HANDRAILS



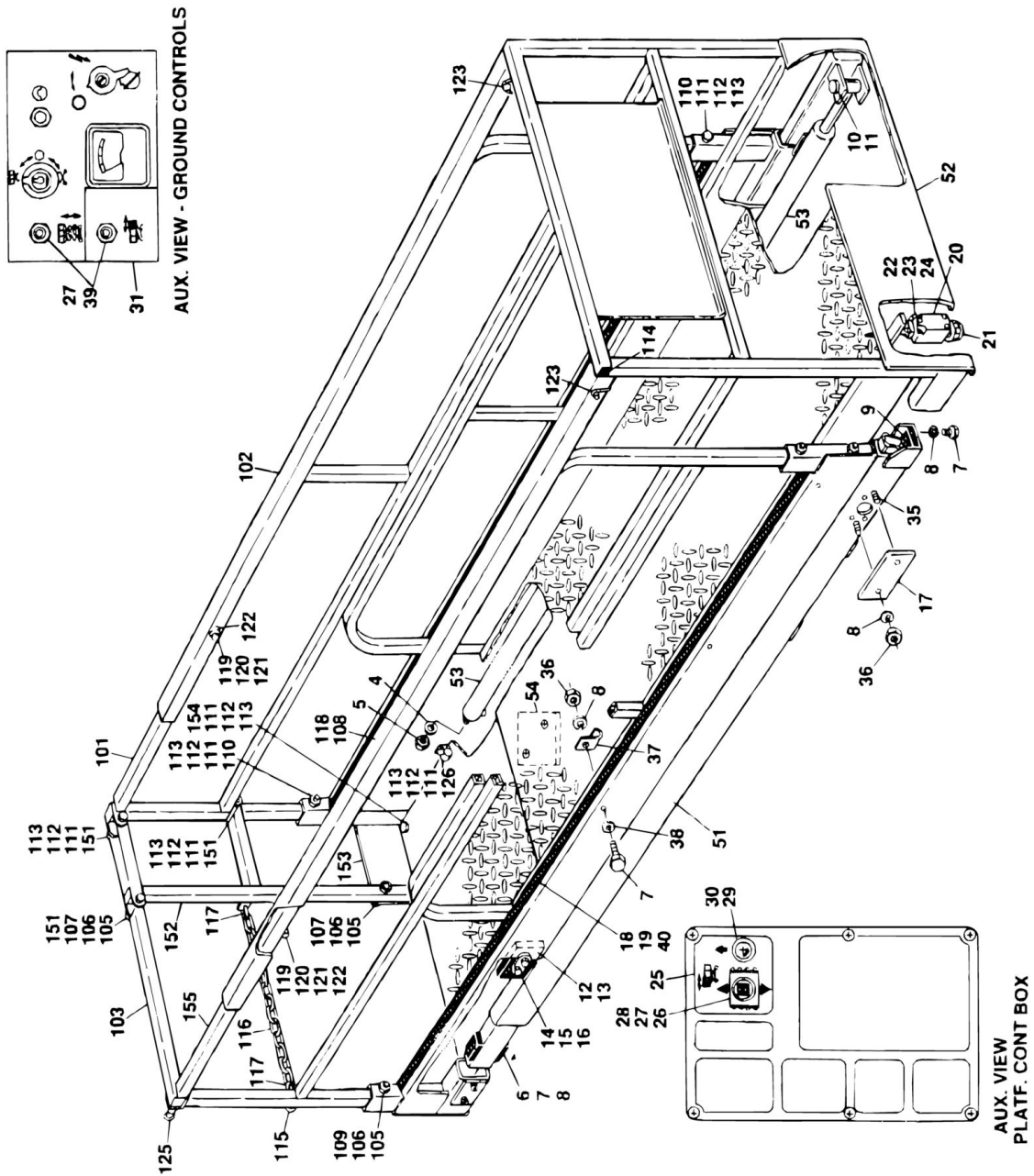
## SECTION 4 - 4 PLATFORM

**FIGURE 4-4. OPTIONAL EXTENDABLE DECK INSTALLATION WITH FOLD-DOWN HANDRAILS**

ITEM	PART NUMBER	QTY	DESCRIPTION	REV
		Ref	<b>OPTIOAL EXTENDABLE DECK INSTALLATION WITH FOLD-DOWN HANDRAILS</b>	
	1281617	Ref	<b>EXTENDABLE DECK INSTALLATION (STANDARD PARTS WHEN EQUIPPED)</b>	C
2	3640749	1	Handrail - Right Side	
3	3640748	1	Handrail - Left Side	
4	2560088	1	Grip, Handle	
5	2980113	1	Release Lever Assembly	
6	3841201	1	Rod, Release	
7	3860052	4	Roller	
7	4712200	AR	Shim, Flatwasher (Steel)	
7	4740066	AR	Shim, Flatwasher (Thin Bronze)	
8	4843706	4	Mounting Weldment - Roller	
9	0641510	16	Bolt 5/16in - 18NC x 1 1/4in	
10	4761500	18	Lockwasher 5/16in	
11	3311501	18	Nut 5/16in - 18NC	
12	0181684	4	Angle	
13	0641406	8	Bolt 1/4in - 20NC x 3/4in	
14	4761400	12	Lockwasher 1/4in	
15	3311401	8	Nut 1/4in - 20NC	
16	3430416	4	Pin, Clevis 1/4in x 2in	
17	4711400	12	Flatwasher 1/4in Narrow	
18	3450203	4	Pin, Cotter 1/16in x 3/4in	
19	3421913	2	Pin, Quick Release	
20	1260017	14 in/35.6c	Chain (2 Lengths 7 in/17.8 Each)	
21	0641406	1	Bolt 1/4in -20NC x 3/4in	
22	3311405	3	Locknut 1/4in - 20NC	
23	0641516	2	Bolt 5/16in - 18NC x 2in	
24	4751500	4	Flatwasher 5/16in	
25	3440413	2	Rollpin 1/8in x 13/16in	
26	4160078	1	Spring	
27	0361912	1	Bar, Latch	
28	2940061	1	Latch, Weldment	
29	0641416	2	Bolt 1/4in - 20NC x 2in	
	0253383	Ref	<b>EXTENDABLE DECK INSTALLATION (VARIABLE PARTS) (CM2033)</b>	A
	0253391	Ref	<b>EXTENDABLE DECK INSTALLATION (VARIABLE PARTS) (CM2046,CM2546)</b>	-
	0253392	Ref	<b>EXTENDABLE DECK INSTALLATION (VARIABLE PARTS) (CM2558)</b>	-
51		Ref	<b>PLATFORM DECK WELDMENT OPTIONS:</b>	
51	3510494	1	Platform Deck Weldment (CM2033)	
51	3510391	1	Platform Deck Weldment (CM2046,CM2546)	
51	3510392	1	Platform Deck Weldment (Standard Floor) (CM2558)	
51	3510419	1	Platform Deck Weldment (With Tread Grip Floor) (CM2558)	

# SECTION 4 - 4 PLATFORM

FIGURE 4-5. OPTIONAL HYDRAULICALLY EXTENDED DECK INSTALLATION, WITH STANDARD HANDRAILS



## SECTION 4 - 4 PLATFORM

**FIGURE 4-5. OPTIONAL HYDRAULICALLY EXTENDED DECK INSTALLATION, WITH STANDARD HANDRAILS**

ITEM	PART NUMBER	QTY	DESCRIPTION	REV
		Ref	<b>HYDRAULICALLY EXTENDED DECK INSTALLATION WITH STANDARD HANDRAILS</b>	
	1282216	Ref	<b>HYDRAULICALLY EXTENDED DECK INSTALLATION (STANDARD PARTS)</b>	E
4	4712200	2	Flatwasher 3/4in - Narrow	
5	3322205	2	Locknut 3/4in - 16NF	
6	3340710	4	Pad, Slide	
7	0641606	8	Bolt 3/8in - 16NC x 3/4in	
8	4761600	8	Lockwasher 3/8in	
9	3340711	2	Pad, Wear	
10	3431220	2	Pin, Clevis 3/4in x 2 1/2in	
11	3450406	2	Pin, Cotter 1/8in x 3/4in	
12	4240017	4	Strap, Tie	
13	3340716	2	Block, Slide	
14	0641614	4	Bolt 3/8in - 16NC x 1 3/4in	
15	4711600	8	Flatwasher 3/8in Narrow	
16	3311605	4	Locknut 3/8in - 16NC	
17	3538344	6	Plate	
18	4280292	2	Strip, Rubber	
19	3820030	14	Rivet	
20	4360322	1	Switch, Limit	
21	4460428	1	Connector, Strain Relief	
22	3911020	2	Screw #10-24NC x 1 1/4in	
23	4751000	2	Flatwasher #10	
24	3311005	2	Locknut #10-24NC	
25	1702366	1	Decal - Platform Extension	
26	4360314	1	Switch, Toggle	
27	3790012	2	O-Ring	
28	4060802	1	Shield, Switch	
29	2920094	1	Bulb, Light	
30	2920026	1	Lamp, Indicator - Red	
31	1702370	1	Decal - Platform Extension	
35	4300031	12	Stud (Welded on Part)	
36	3311401	17	Nut 1/4in - 20NC	
37	1320061	5	Clamp	
38	4751400	5	Flatwasher 1/4in	
39	4360202	2	Switch, Toggle	
40	0362420	2	Bar, Aluminum	
	0254868	Ref	<b>HYDRAULICALLY EXTENDED DECK INSTALLATION - 4 FT DECK (VARIABLE PARTS) (CM2033)</b>	C
51	3510462	1	Platform Weldment (CM2033)	
52	3510463	1	Extension Deck Weldment (CM2033)	
53	1683204	1	Extension Cylinder Assembly (See CYLINDER SECTION for Breakdown) (CM2033)	
54	Not Required	0	Not Required (CM2033)	
	0254794	Ref	<b>HYDRAULICALLY EXTENDED DECK INSTALLATION - 6 FT DECK (VARIABLE PARTS) (CM2033)</b>	C
51	3510462	1	Platform Weldment (CM2033)	
52	3510463	1	Extension Deck Weldment (CM2033)	

## SECTION 4 - 4 PLATFORM

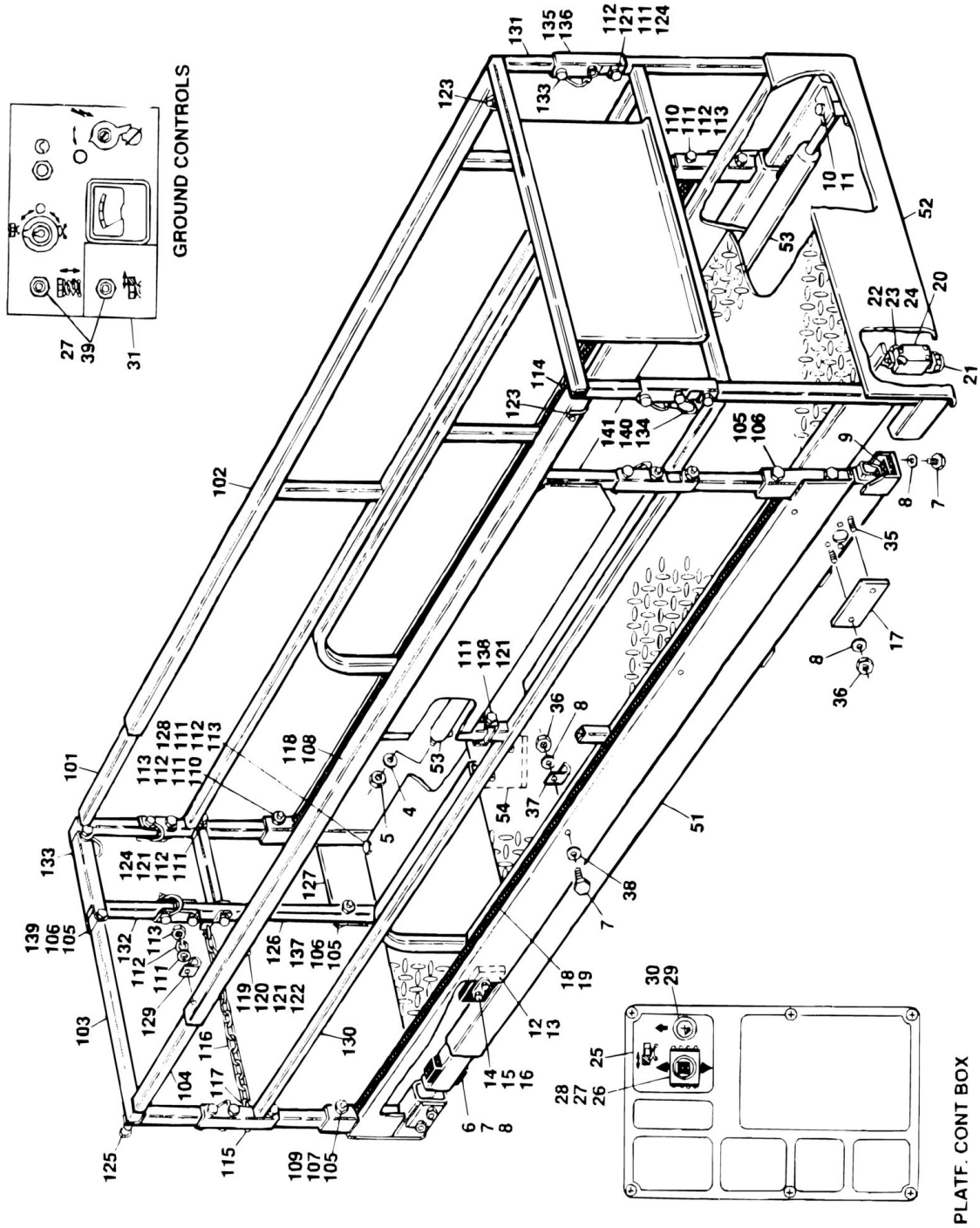
ITEM	PART NUMBER	QTY	DESCRIPTION	REV
53	1683199	1	Extension Cylinder Assembly (See CYLINDER SECTION for Breakdown) (CM2033)	
54	Not Required 0255228	0 Ref	Not Required (CM2033) <b>HYDRAULICALLY EXTENDED DECK INSTALLATION - 4 FT DECK (VARIABLE PARTS) (CM2046)</b>	A
51	3510469	1	Platform Weldment (CM2046)	
52	3510470	1	Extension Deck Weldment (CM2046)	
53	1683204	1	Extension Cylinder Assembly (See CYLINDERS SECTION for Breakdown) (CM2046)	
54	3340749	1	Pad, Wear (CM2046)	
54	3911612	2	Screw, Machines 3/8in - 16NC x 3/4in (CM2046)	
54	0100019 0255229	AR Ref	Loctite #271 (CM2046) <b>HYDRAULICALLY EXTENDED DECK INSTALLATION - 6 FT DECK (VARIABLE PARTS) (CM2046)</b>	A
51	3510469	1	Platform Weldment (CM2046)	
52	3510470	1	Extension Deck Weldment (CM2046)	
53	1683199	1	Extension Cylinder Assembly (See CYLINDER SECTION for Breakdown) (CM2046)	
54	3340749	1	Pad, Wear (CM2046)	
54	3911612	2	Screw, Machine 3/8in - 16NC x 3/4in (CM2046)	
54	0100019 0254957	AR Ref	Loctite #271 (CM2046) <b>HYDRAULICALLY EXTENDED DECK INSTALLATION - 4 FT DECK (VARIABLE PARTS) (CM2546)</b>	D
51	3510469	1	Platform Weldment (CM2546)	
52	3510470	1	Extension Deck Weldment (CM2546)	
53	1683204	1	Extension Cylinder Assembly (See CYLINDER SECTION for Breakdown) (CM2546)	
54	3340749	1	Pad, Wear (CM2546)	
54	3911612	4	Screw, Machines 3/8in - 16NC x 3/4in (CM2546)	
54	0100019 0254958	1 Ref	Loctite #271 (CM2546) <b>HYDRAULICALLY EXTENDED DECK INSTALLATION - 6 FT DECK (VARIABLE PARTS) (CM2546)</b>	D
51	3510469	1	Platform Weldment (CM2546)	
52	3510470	1	Extension Deck Weldment (CM2546)	
53	1683199	1	Extension Cylinder Assembly (See CYLINDER SECTION for Breakdown) (CM2546)	
54	3340749	1	Pad, Wear (CM2546)	
54	3911612	2	Screw, Machines 3/8in - 16NC x 3/4in (CM2546)	
54	0100019 0255054	1 Ref	Loctite #271 (CM2546) <b>HYDRAULICALLY EXTENDED DECK INSTALLATION - 4 FT DECK (VARIABLE PARTS) (CM2558)</b>	B
51	3510484	1	Platform Weldment (CM2558)	
52	3510485	1	Extension Deck Weldment (CM2558)	
53	1683204	1	Extension Cylinder Assembly (See CYLINDER SECTION for Breakdown) (CM2558)	
54	3340749	1	Pad, Wear (CM2558)	
54	3911612	2	Screw, Machine 3/8in - 16NC x 3/4in (CM2558)	
54	0100019 0255055	1 Ref	Loctite #271 (CM2558) <b>HYDRAULICALLY EXTENDED DECK INSTALLATION - 6 FT DECK (VARIABLE PARTS) (CM2558)</b>	B
51	3510484	1	Platform Weldment (CM2558)	
52	3510485	1	Extension Deck Weldment (CM2558)	
53	1683199	1	Extension Cylinder Assembly (See CYLINDER SECTION for Breakdown) (CM2558)	

## SECTION 4 - 4 PLATFORM

ITEM	PART NUMBER	QTY	DESCRIPTION	REV
54	3340749	1	Pad, Wear (CM2558)	
54	3911612	2	Screw, Machine 3/8in - 16NC x 3/4in (CM2558)	
54	0100019	AR	Loctite #271 (CM2558)	
		Ref	<b>HANDRAILS INSTALLATION (STANDARD PARTS)</b>	
101	4844793	1	Rail Weldment (Left Side)	
102	3538042	1	Plate, Slide Rail	
103	4844819	1	Rail Weldment (Top)	
105	3900184	AR	Screw, Button Head	
106	3300374	AR	Nut, Joint Connector	
107	4771000	5	Starwasher #10	
108	3534281	1	Slide Rail Weldment	
109	3300375	AR	Nut, Joint Connector	
110	0641424	AR	Bolt 1/4in - 20NC x 3in	
111	4711400	AR	Flatwasher 1/4in Narrow	
112	4761400	AR	Lockwasher 1/4in	
113	3311401	AR	Nut 1/4in - 20NC	
114	3520072	AR	Cap, Plug	
115	2940064	1	Hook, Snap	
116	1260136	2 ft	Chain	
117	3010088	2	Link	
118	4420055	1 ft	Tape	
119	0641409	2	Bolt 1/4in - 20NC x 1 1/8in	
120	4740234	AR	Washer, Thrust	
121	3311405	4	Locknut 1/4in - 20NC	
122	0961906	2	Bushing	
123	3422219	2	Pin, Snap (CM2033)	
123	3421453	2	Pin, Snap (CM2046,CM2546,CM2558)	
125	3422369	1	Pin, Plunger	
126	1320202	2	Clamp	
	0254797	Ref	<b>HANDRAILS INSTALLATION (CM2033)</b>	C
151 to 154	Not Required	0	Not Required (CM2033)	
155	4844821	1	Rail Weldment (Right Side) (CM2033)	
	0254973	Ref	<b>HANDRAILS INSTALLATION (CM2046,CM2546)</b>	A
151	0641416	2	Bolt 1/4in - 20NC x 2in (CM2046,CM2546)	
152	4844831	1	Rail Weldment (Rear) (CM2046,CM2546)	
153	3538217	1	Kickplate (Rear) (CM2046,CM2546)	
154	0641408	2	Bolt 1/4in - 20NC x 1in (CM2046,CM2546)	
155	4844792	1	Rail Weldment (Right Side) (CM2046,CM2546)	
	0255063	Ref	<b>HANDRAILS INSTALLATION (CM2558)</b>	-
151	0641416	2	Bolt 1/4in - 20NC x 2in (CM2558)	
152	4844831	1	Rail Weldment (Rear Left Side) (CM2558)	
152	4844854	1	Rail Weldment (Rear Right Side - Not Shown) (CM2558)	
153	3538217	2	Kickplate (Rear) (CM2558)	
154	0641408	2	Bolt 1/4in - 20NC x 1in (CM2558)	
155	4844853	1	Rail Weldment (Right Side) (CM2558)	

# SECTION 4 - 4 PLATFORM

FIGURE 4-6. OPTIONAL HYDRAULICALLY EXTENDED DECK INSTALLATION, WITH FOLD-DOWN HANDRAILS



## SECTION 4 - 4 PLATFORM

**FIGURE 4-6. OPTIONAL HYDRAULICALLY EXTENDED DECK INSTALLATION, WITH FOLD-DOWN HANDRAILS**

ITEM	PART NUMBER	QTY	DESCRIPTION	REV
		Ref	<b>OPTIONAL HYDRAULICALLY EXTENDED DEC INSTALLATION WITH FOLD DOWN HANDRAILS</b>	
	1282216	Ref	<b>HYDRAULICALLY EXTENDED DECK INSTALLATION (STANDARD PARTS)</b>	E
4	4712200	2	Flatwasher 3/4in Narrow	
5	3322205	2	Locknut 3/4in - 16NF	
6	3340710	4	Pad, Slide	
7	0641406	8	Bolt 1/4in - 20NC x 3/4in	
8	4761400	8	Lockwasher 1/4in	
9	3340711	2	Pad, Wear	
10	3431220	2	Pin, Clevis 3/4in x 2 1/2in	
11	3450406	2	Pin, Cotter 1/8in x 3/4in	
12	4240017	4	Strap, Tie	
13	3340716	2	Block, Slide	
14	0641614	4	Bolt 3/8in - 16NC x 1 3/4in	
15	4711600	8	Flatwasher 3/8in - Narrow	
16	3311605	4	Locknut 3/8in - 16NC	
17	3538344	6	Plate	
18	4280292	2	Strip, Rubber	
19	3820030	14	Rivet	
20	4360322	1	Switch, Limit	
21	4460428	1	Connector, Strain Relief	
22	3911020	2	Screw #10-24NC x 1 1/4in	
23	4751000	2	Flatwasher #10	
24	3311005	2	Locknut #10-24NC	
25	1702366	1	Decal-Platform Extension	
26	4360314	1	Switch, Toggle	
27	3790012	2	O-Ring	
28	4060802	1	Shield, Switch	
29	2920094	1	Bulb, Light	
30	2920026	1	Lamp, Indicator - Red	
31	1702370	1	Decal - Platform Extension	
35	4300031	12	Stud (Welded on Part)	
36	3311401	17	Nut 1/4in - 20NC	
37	1320061	5	Clamp	
38	4751400	5	Flatwasher 1/4in	
39	4360202	2	Switch, Toggle	
40	0362420	2	Bar, Aluminum	
	0255161	Ref	<b>HYDRAULICALLY EXTENDED DECK INSTALLATION - 4 FT DECK (VARIABLE PARTS) (CM2546)</b>	A
51	3510469	1	Platform Weldment (CM2546)	
52	3510487	1	Extension Deck Weldment (CM2546)	
53	1683204	1	Extension Cylinder Assembly (See CYLINDER SECTION for Breakdown) (CM2546)	
54	3340749	1	Pad, Wear (CM2546)	
54	3911612	2	Screw, Machine 3/8in - 16NC x 3/4in (CM2546)	
54	0100019	AR	Loctite #271 (CM2546)	
	0255162	Ref	<b>HYDRAULICALLY EXTENDED DECK INSTALLATION - 6FT DECK (VARIABLE PARTS) (CM2546)</b>	A
51	3510469	1	Platform Weldment (CM2546)	

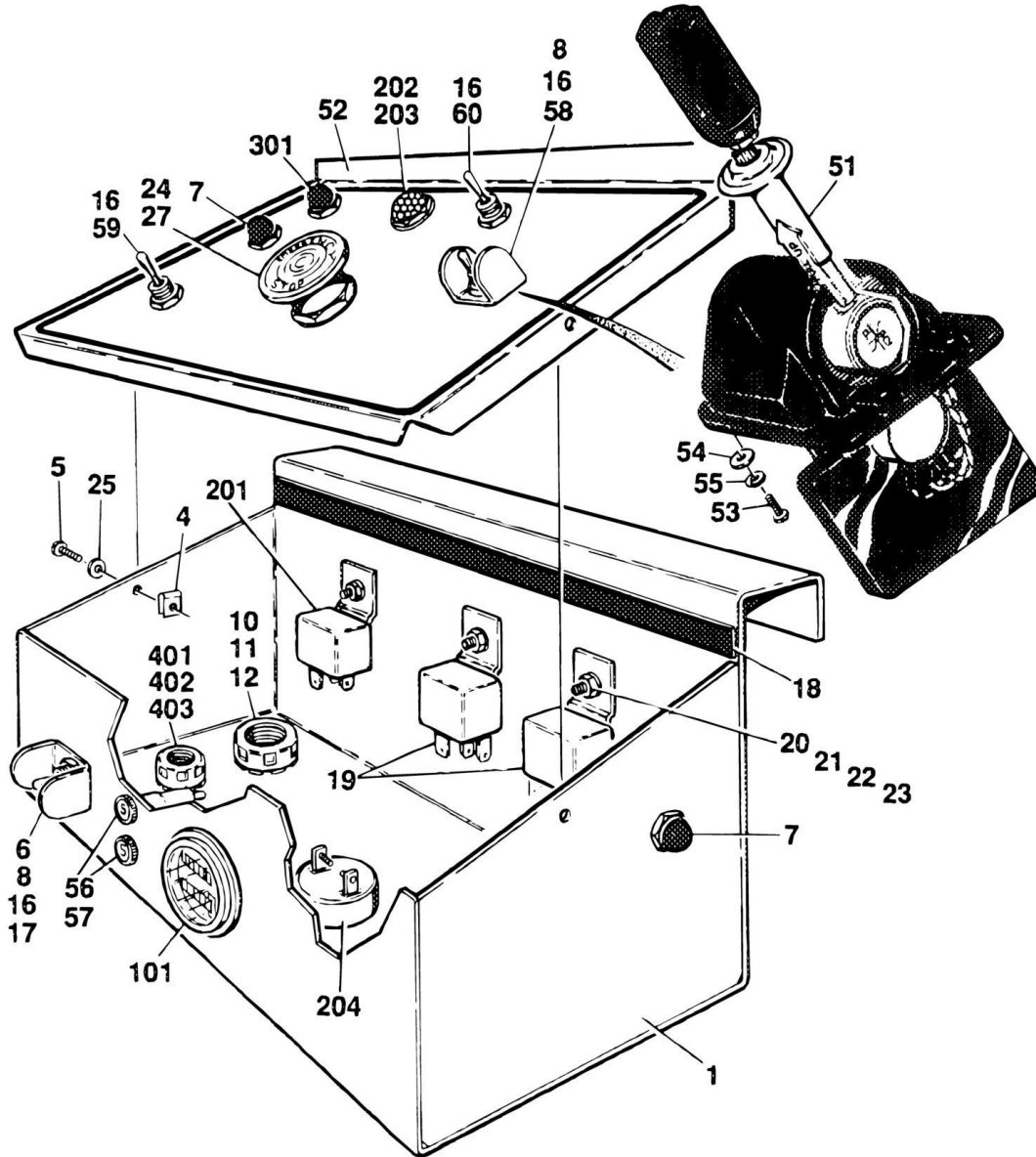
## SECTION 4 - 4 PLATFORM

ITEM	PART NUMBER	QTY	DESCRIPTION	REV
52	3510487	1	Extension Deck Weldment (CM2546)	
53	1683199	1	Extension Cylinder Assembly (See CYLINDER SECTION for Breakdown) (CM2546)	
54	3340749	1	Pad, Wear (CM2546)	
54	3911612	1	Screw, Machine 3/8in-16NC x 3/4in (CM2546)	
54	0100019	1	Loctite,#271 (CM2546)	
	0255157	Ref	<b>HANDRAILS INSTALLATION</b>	B
101	4844908	1	Rail (Left Side Top)	
102	3538042	1	Slide (Left Side Top)	
103	4844819	1	Rail (Rear Top)	
104	4844906	1	Rail (Right Side Top)	
105	3900184	4	Screw, Button Head	
106	3300374	4	Nut, Joint Connector	
108	4844821	1	Slide (Right Side Top)	
109	3300375	3	Nut, Joint Connector	
110	0641424	6	Bolt 1/4in - 20NC x 3in	
111	4711400	59	Flatwasher 1/4in Narrow	
112	4751400	25	Flatwasher 1/4in Regular	
114	3520072	11	Cap, Plastic	
115	2940064	1	Snap-Hook	
116	1260136	2 ft/.6m	Chain	
117	3010088	2	Link	
118	4420055	1 ft/.3m	Tape	
119	0641409	2	Bolt 1/4in - 20NC x 1 1/8in	
120	4740234	8	Washer, Thrust	
121	3311405	24	Locknut 1/4in - 20NC	
122	0961906	2	Bushing	
123	3421453	7	Snap-Pin	
124	0641416	2	Bolt 1/4in - 20NC x 2in	
125	3422369	1	Pin, Plunger	
126	4844912	1	Rail, Vertical (Lower Rear)	
127	3538217	1	Kickplate (Rear)	
128	0641408	2	Bolt 1/4in - 20NC x 1in	
129	1320202	2	Clamp	
130	4844907	2	Rail, Slide (Both Side Bottom)	
131	4844909	1	Rail Weldment (Front)	
132	4844913	1	Rail, Vertical (Upper Rear)	
133	3422219	3	Snap-Pin	
134	1060379	7	Cable, Lanyard	
135	4200010	7	Hinge, Stamped	
136	4280284	2 ft/.6m	Strip	
137	3300373	1	Nut, Joint Connector	
138	0641422	2	Bolt 1/4in - 20NC x 2 3/4in	
139	4751500	2	Flatwasher 5/16in	
140	3760170	10	Ring, Quick Release	
141	3941404	3	Screw, Self-Tapping 1/4in x 1/2in	



# SECTION 4 - 4 PLATFORM

## FIGURE 4-7. STEEL PLATFORM CONSOLE BOX ASSEMBLY



## SECTION 4 - 4 PLATFORM

**FIGURE 4-7. STEEL PLATFORM CONSOLE BOX ASSEMBLY**

ITEM	PART NUMBER	QTY	DESCRIPTION	REV
		Ref	<b>STEEL PLATFORM CONSOLE BOX ASSEMBLY</b>	
		Ref	<b>CONSOLE BOX ASSEMBLY (STANDARD PARTS)</b>	
1	3534838	1	Box	
4	3300177	2	Nut, Tinnerman	
5	0751006	2	Screw, Machine #10 x 3/4in	
6	4360202	1	Switch, Toggle - DPDT/MC/CO (Lift)	
7	4360274	1	Switch, Push Button - SPST (Posi Trac)	
8	4060229	AR	Shield, Switch	
10	4460051	1	Connector, Strain Relief	
11	3300048	1	Locknut, Conduit	
12	0960238	1	Bushing	
16	3790012	AR	O-Ring	
17	3251860	1	Nametag - Lift	
18	4420008	32 in./.8m	Tape, Insulation	
19	3740069	2	Relay, Power	
20	3910608	2	Screw, Machine #6 x 1/2in	
21	4760600	2	Lockwasher #6	
22	4750600	2	Flatwasher #6	
23	3310601	2	Nut #6-32NC	
24	4360289	1	Switch, Push-Pull (Emergency Stop)	
25	4740120	2	Washer, Nylon	
27	0100035	AR	Loctite #222	
	0251505	Ref	<b>CONSOLE BOX ASSEMBLY (WITH TOGGLE SWITCH DRIVE - STANDARD) (VARIABLE PARTS)</b>	E
	0252768	Ref	<b>CONSOLE BOX ASSEMBLY (WITH TOGGLE SWITCH DRIVE - U/L APPROVED) (VARIABLE PARTS)</b>	-
51	Not Required	0	Not Required	
52	3252065	1	Lid, Control Box	
53	Not Required	0	Not Required	
54	Not Required	0	Not Required	
55	Not Required	0	Not Required	
56	Not Required	0	Not Required	
57	Not Required	0	Not Required	
58	4360202	1	Switch, Toggle - DPDT/MC/CO (Drive)	
59	4360198	1	Switch, Toggle - SPDT/MC/CO (Steer)	
60	4360092	1	Switch, Toggle - (Drive Speed)	
	0251513	Ref	<b>CONSOLE BOX ASSEMBLY (WITH PQ CONTROLLER/ BANG-BANG DRIVE - STANDARD) (VARIABLE PARTS)</b>	E
51	1600132	1	Controller, PQ	
52	3252067	1	Lid, Control Box	
53	0720803	4	Screw, Machine #8 x 3/8in	
54	4750800	4	Flatwasher #8	
55	4760800	4	Lockwasher #8	
56	Not Required	0	Not Required	
57	Not Required	0	Not Required	
58	Not Required	0	Not Required	
59	Not Required	0	Not Required	
60	Not Required	0	Not Required	
	0252659	Ref	<b>CONSOLE BOX ASSEMBLY (WITH PQ CONTROLLER/ BANG-BANG DRIVE - U/L APPROVED) (VARIABLE PARTS)</b>	A

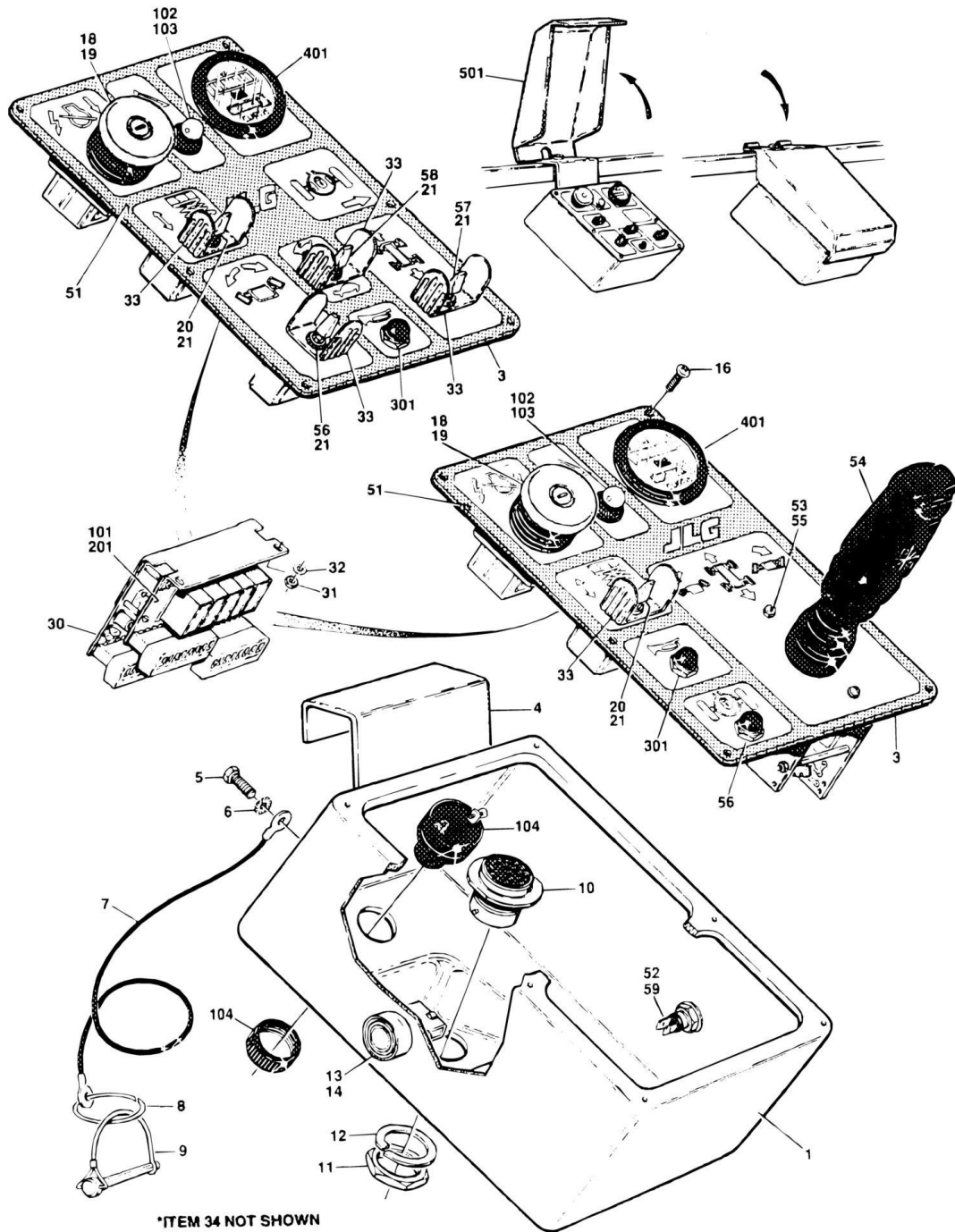
## SECTION 4 - 4 PLATFORM

ITEM	PART NUMBER	QTY	DESCRIPTION	REV
51	1600132	1	Controller, PQ	
52	3252067	1	Lid, Control Box	
53	0720803	4	Screw, Machine #8 x 3/8in	
54	4750800	4	Flatwasher #8	
55	4760800	4	Lockwasher #8	
56	2400021	2	Fuseholder	
57	2400026	2	Fuse	
58	Not Required	0	Not Required	
59	Not Required	0	Not Required	
60	Not Required	0	Not Required	
	0252420	Ref	<b>CONSOLE BOX ASSEMBLY (WITH PQ CONTROLLER/ PROPORTIONAL DRIVE - STANDARD) (VARIABLE PARTS)</b>	-
51	1600143	1	Controller, PQ	
52	3252067	1	Lid, Control Box	
53	0720803	4	Screw, Machine #8 x 3/8in	
54	4750800	4	Flatwasher #8	
55	4760800	4	Lockwasher #8	
56	Not Required	0	Not Required	
57	Not Required	0	Not Required	
58	Not Required	0	Not Required	
59	Not Required	0	Not Required	
60	Not Required	0	Not Required	
	0252769	Ref	<b>CONSOLE BOX ASSEMBLY (WITH PQ CONTROLLER/PROPORTIONAL DRIVE - U/L APPROVED) (VARIABLE PARTS)</b>	-
51	1600143	1	Controller, PQ	
52	3252067	1	Lid, Control Box	
53	0720803	4	Screw, Machine #8 x 3/8in	
54	4750800	4	Flatwasher #8	
55	4760800	4	Lockwasher #8	
56	2400021	2	Fuseholder	
57	2400026	2	Fuse	
	0251758	Ref	<b>OPTIONAL BATTERY/HOUR GAUGE INSTALLATION</b>	B
101	2420106	1	Gauge, Battery/Hour	
	0251724	Ref	<b>OPTIONAL TILT INDICATOR INSTALLATION</b>	C
201	3740069	1	Relay, Power	
202	2920026	1	Light, Indicator - Red	
203	2920094	1	Bulb, Light	
204	0140011	1	Alarm, Sonalert	
	0251788	Ref	<b>OPTIONAL HORN INSTALLATION</b>	B
301	4360274	1	Switch, Push Button	
		Ref	<b>OPTIONAL BEACON LIGHT INSTALLATION</b>	
401	4460049	1	Connector, Strain Relief	
402	0960239	1	Bushing	
403	3300047	1	Locknut, Conduit	



# SECTION 4 - 4 PLATFORM

## FIGURE 4-8. MOLDED PLATFORM CONSOLE BOX ASSEMBLY



## SECTION 4 - 4 PLATFORM

### FIGURE 4-8. MOLDED PLATFORM CONSOLE BOX ASSEMBLY

ITEM	PART NUMBER	QTY	DESCRIPTION	REV
		Ref	<b>MOLDED PLATFORM CONSOLE BOX ASSEMBLY</b>	
		Ref	<b>CONSOLE BOX ASSEMBLY (STANDARD PARTS)</b>	
1	0860784	1	Box, Console	
3	4420008	32 in/.8m	Tape, Insulation	
4	0901859	1	Bracket, Hanger	
5	0641404	4	Bolt 1/4in -20NC x 1/2in	
6	4791400	4	Starwasher 1/4in	
7	1060380	1	Lanyard - 10in/25.4cm	
8	3760170	1	Ring	
9	3421453	1	Pin, Snapper	
10	4460463	1	Receptacle, Terminal	
11	4460470	1	Nut, Panel	
12	4460471	1	Lockwasher	
13	4360339	1	Switch, Push Button	
13	7012593	1	Boot, Green Rubber	
14	4360267	1	Switch, Contact - N.O.	
16	3900177	6	Screw	
18	4360289	1	Switch, Push/Pull (Emergency Stop)	
18	7012611	1	Lens	
18	7012612	1	Boot	
19	0100035	AR	Loctite#222	
20	4360318	1	Switch, Toggle - DPDT/MC	
21	3790012	AR	O-Ring	
30	0610101	1	Card, Circuit (RAM) (Prior to January 1995)	
30	0610113	1	Card, Circuit (Jenesco) (January 1995 to Present)	
30	0610110	1	Bracket, Mounting	
30	7012658	1	Fuse - 7.5 Amp	
31	3310601	2	Nut 36-32NC	
32	4770600	AR	Starwasher #6	
33	4060802	1	Shield, Switch	
34	1701827	1	Decal - Legend	
36	4740066	2	Washer, Thrust (Not Shown)	
	0253098	Ref	<b>CONSOLE BOX ASSEMBLY (WITH TOGGLE SWITCH DRIVE - STANDARD)</b>	E
	0253400	Ref	<b>CONSOLE BOX ASSEMBLY (WITH TOGGLE SWITCH DRIVE - UL APPROVED)</b>	D
51	3252196	1	Lid, Control Box (Prior to January 1993)	
51	3252253	1	Lid, Control Box (January 1993 to Present)	
52	4360274	1	Switch, Push Button - SPSRT (Posi Trac)	
53	Not Required	0	Not Required	
54	Not Required	0	Not Required	
55	Not Required	0	Not Required	
56	4360328	1	Switch, Toggle - SPST/MC/CO (Steer)	
57	4360314	1	Switch, Toggle -DPDT/MC/CO (Drive)	
58	4360345	1	Switch, Toggle - SPDT (Drive Speed) (2SPD - Prior to January 1993)	
58	4360355	1	Switch, Toggle - SPDT (Drive Speed) (3SPD - January 1993 to Present)	
59	Not Required	0	Not Required	
	0253100	Ref	<b>CONSOLE BOX ASSEMBLY (WITH PQ CONTROLLER/BANG-BANG DRIVE - STANDARD)</b>	E

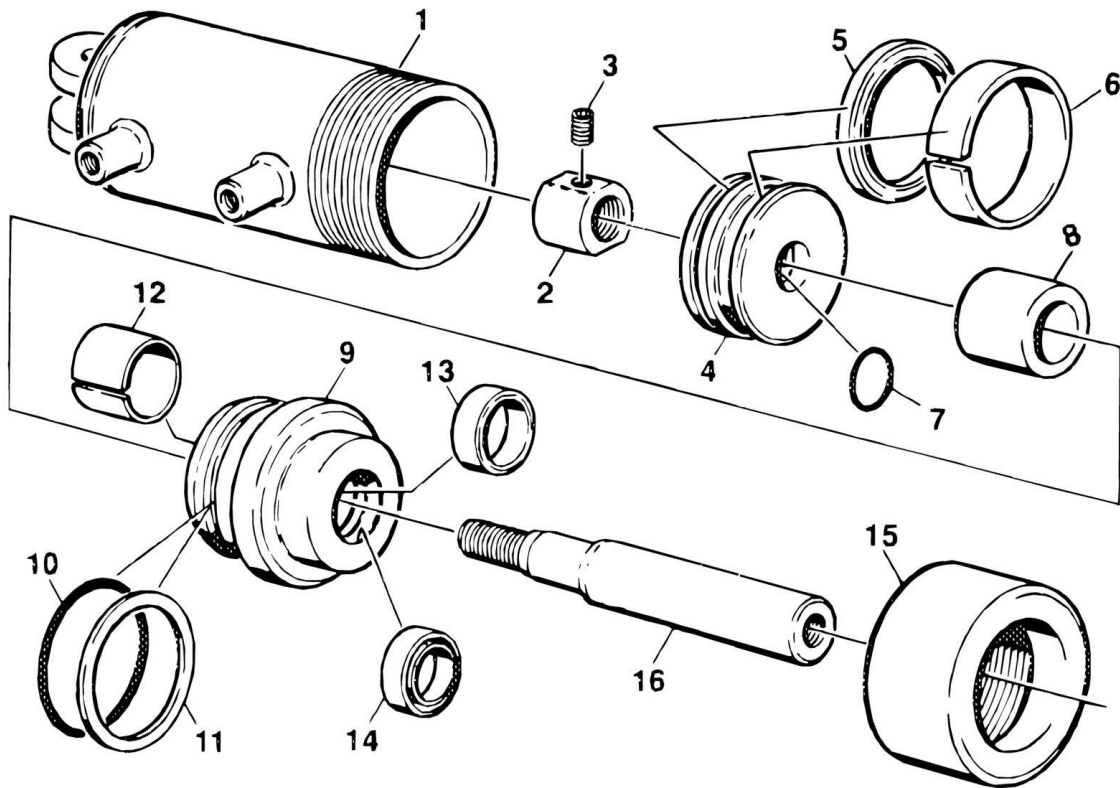
## SECTION 4 - 4 PLATFORM

ITEM	PART NUMBER	QTY	DESCRIPTION	REV
	0253403	Ref	<b>CONSOLE BOX ASSEMBLY (WITH PQ CONTROLLER/BANG-BANG DRIVE - U/L APPROVED)</b>	C
51	3252194	1	Lid, Control Box	
52	3520026	1	Plug, Hole	
53	4740120	2	Washer, Nylon	
54	1600156	1	Controller, PQ	
55	3900178	2	Screw, Machine #10-32NF x 3/4in	
56	4360274	1	Switch, Push Button - SPST (Posi-Trac)	
57	Not Required	0	Not Required	
58	Not Required	0	Not Required	
59	0100009	AR	Sealant, Silicon	
	2400021	2	Fuseholder (U/L Only)	
	2400026	2	Fuse (U/L Only)	
	0253404	Ref	<b>CONSOLE BOX ASSEMBLY (WITH PQ CONTROLLER/PROPORTIONAL DRIVE-STANDARD)</b>	E
	0253408	Ref	<b>CONSOLE BOX ASSEMBLY (WITH PQ CONTROLLER/PROPORTIONAL DRIVE - UL APPROVED)</b>	C
51	3252194	1	Lid, Control Box	
52	3520026	1	Plug, Hole	
53	4740120	2	Washer, Nylon	
54	1600160	1	Controller, PQ	
55	3900178	2	Screw, Machine #10-32NF x 3/4in	
56	4360274	1	Switch, Push Button - SPST (Posi-Trac)	
57	Not Required	0	Not Required	
58	Not Required	0	Not Required	
59	0100009	AR	Sealant, Silicon	
	2400021	1	Fuseholder (U/L Only)	
	2400026	1	Fuse (U/L Only)	
	0253485	Ref	<b>OPTIONAL TILT INDICATOR INSTALLATION</b>	A
101	0610105	1	Card, Circuit - Relay	
101	0610110	1	Bracket, Mounting	
102	2920094	1	Bulb, Light	
103	2920026	1	Light, Indicator - Red	
104	0140011	1	Alarm, Sonalert	
	0253491	Ref	<b>OPTIONAL DRIVE CUT-OUT INSTALLATION</b>	A
201	0610105	1	Card, Circuit - Relay	
201	0610110	1	Bracket, Mounting	
	0253465	Ref	<b>OPTIONAL HORN INSTALLATION</b>	-
301	4360274	1	Switch, Push Button	
301	4921537	1	Harness, Switch	
	0253499	Ref	<b>OPTIONAL BATTERY/HOUR GAUGE INSTALLATION</b>	A
401	2420106	1	Gauge, Battery/Hour	
	0253548	Ref	<b>OPTIONAL CONSOLE BOX INSTALLATION</b>	-
501	4844327	1	Cover	

**SECTION 5 - 5 CYLINDERS**

# SECTION 5 - 5 CYLINDERS

FIGURE 5-1. BRAKE CYLINDER ASSEMBLY (PRIOR TO MARCH 1992)



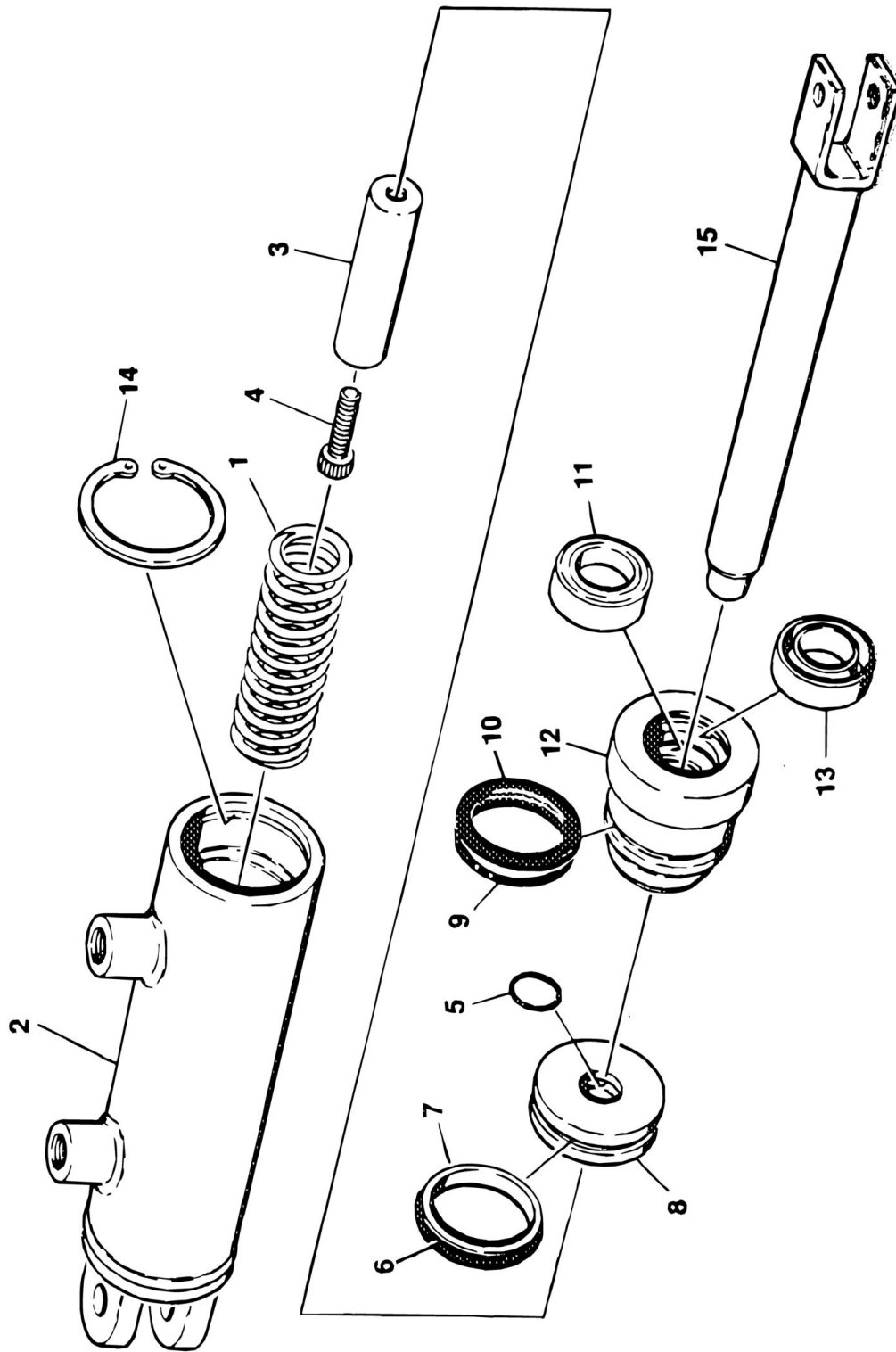
## SECTION 5 - 5 CYLINDERS

**FIGURE 5-1. BRAKE CYLINDER ASSEMBLY (PRIOR TO MARCH 1992)**

ITEM	PART NUMBER	QTY	DESCRIPTION	REV
	1682445	Ref	<b>BRAKE CYLINDER ASSEMBLY (PRIOR TO MARCH 1992)</b>	A
1	1682446	1	Barrel	
2	3300272	1	Nut	
2	0100011	AR	Loctite #242	
3	3900170	1	Setscrew 3/8in-16NC x 3/8in	
4	3480157	1	Piston	
5	Kit	1	Seal, Piston	
6	Kit	1	Ring, Wear	
7	Kit	1	O-Ring	
8	4565069	1	Tube, Spacer	
9	1682449	1	Head	
10	Kit	1	O-Ring	
11	Kit	1	Ring, Back-up	
12	Kit	1	Ring, Wear	
13	Kit	1	Seal, Rod	
14	Kit	1	Wiper	
15	1120083	1	Retainer	
15	0100035	AR	Loctite #222	
16	1682448	1	Rod	
	2901187	1	Seal Kit (Includes Items 5, 6, 7, 10, 11, 12, 13, & 14)	

# SECTION 5 - 5 CYLINDERS

FIGURE 5-2. BRAKE CYLINDER ASSEMBLY (MARCH 1992 TO PRESENT)



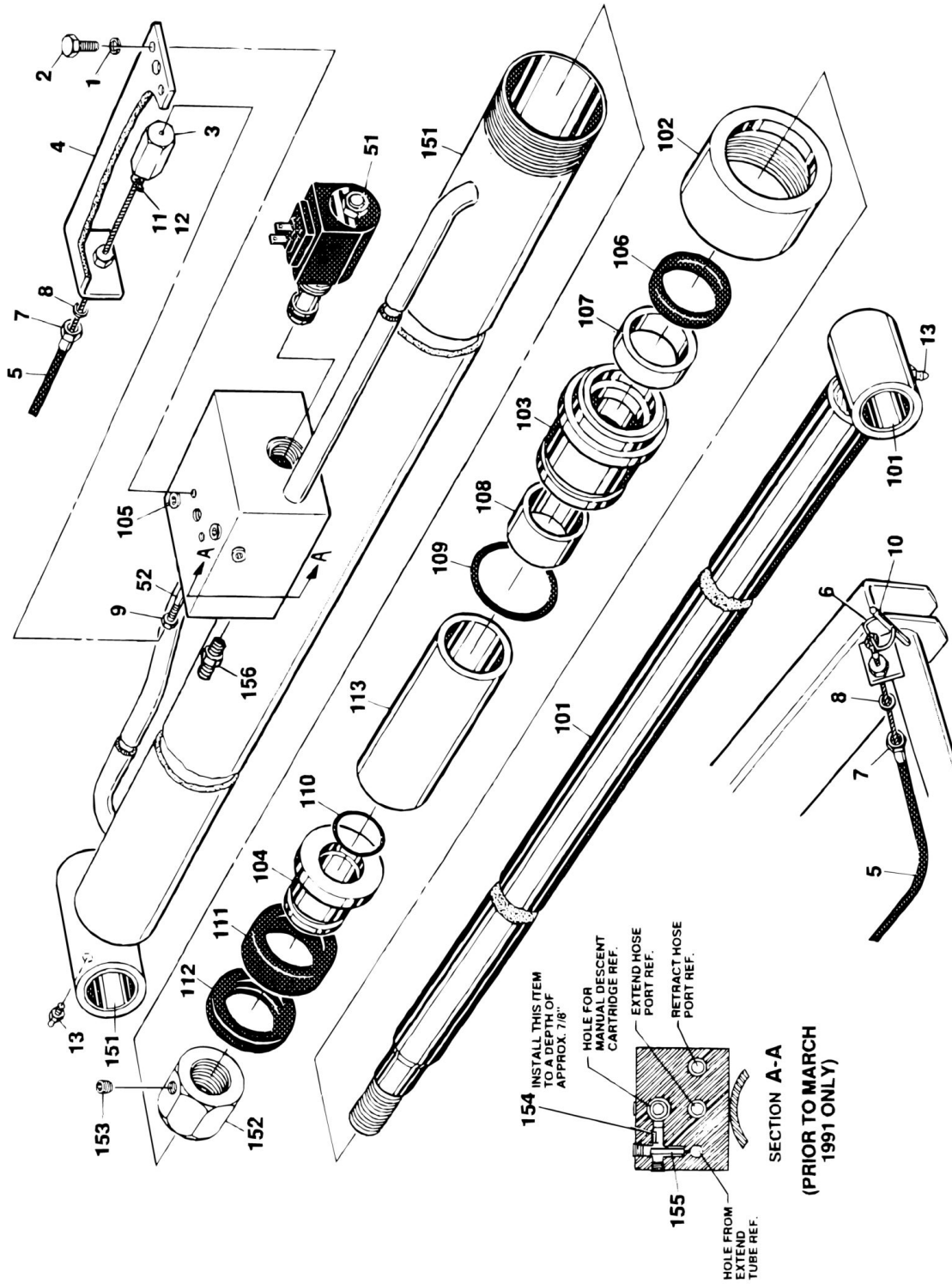
## SECTION 5 - 5 CYLINDERS

**FIGURE 5-2. BRAKE CYLINDER ASSEMBLY (MARCH 1992 TO PRESENT)**

ITEM	PART NUMBER	QTY	DESCRIPTION	REV
	1682277	Ref	<b>BRAKE CYLINDER ASSEMBLY (MARCH 1992 TO DECEMBER 1993)</b>	-
		Ref	<b>Note: When replacing complete 1682277 cylinder recommend using 1683098 cylinder.</b>	
	1683098	Ref	<b>BRAKE CYLINDER ASSEMBLY (DECEMBER 1993 TO PRESENT)</b>	-
1	7001093	1	Spring, Compression (1682277 Cylinder)	
1	7001618	1	Spring, Compression (1683098 Cylinder)	
2	Not Available	1	Barrel, Cylinder	
3	7001094	1	Spacer	
4	7001095	1	Bolt, Socket Head	
5	Kit	1	O-Ring	
6	Kit	1	Ring, Piston	
7	Kit	1	O-Ring	
8	7001096	1	Piston	
9	Kit	1	O-Ring	
10	Kit	1	Ring, Back-up	
11	Kit	1	Seal	
12	7001097	1	Head	
13	Kit	1	Ring, Wiper	
14	7001098	1	Ring, Retaining	
15	7001099	1	Rod Weldment (1682277 Cylinder)	
15	7001621	1	Rod Weldment (1683098 Cylinder)	
	7001092	1	Seal Kit (Includes Items 5, 6, 7, 9, 10, 11 & 13)	

# SECTION 5 - 5 CYLINDERS

## FIGURE 5-3. LIFT CYLINDER SUB-ASSEMBLY



## SECTION 5 - 5 CYLINDERS

### FIGURE 5-3. LIFT CYLINDER SUB-ASSEMBLY

ITEM	PART NUMBER	QTY	DESCRIPTION	REV
156	2220343	2	Fitting, Straight (CM2546,CM2558)	
		Ref	<b>LIFT CYLINDER SUB-ASSEMBLY</b>	
		Ref	<b>VALVES AND CONTROLS INSTALLATION (STANDARD PARTS)</b>	
1	4761500	2	Lockwasher 5/16in	
2	0641506	2	Bolt 5/16in-18NC x 3/4in	
3	0080190	1	Adapter	
4	0901757	1	Bracket, Cable	
5	1060377	1	Cable Assembly	
6	3760170	1	D-Ring	
7	3321402	4	Nut, Jam 1/4in-28NF	
8	4751400	2	Flatwasher 1/4in	
9	3311402	1	Nut, Jam 1/4in-20NC	
10	3841127	1	Rod, Handle	
11	3450405	1	Pin, Cotter	
12	4220044	1	Stop, Throttle	
13	2160002	2	Fitting, Grease	
		Ref	<b>VALVES AND CONTROLS INSTALLATION - STANDARD MACHINES (VARIABLE PARTS)</b>	
51	4640381	1	Cartridge, Valve - Solenoid Holding	
51	7004334	1	Coil - 24VDC (Modular Controls Version)	
51	7000644	1	Coil - 24VDC (Hudraforce Version)	
51	2900503	1	Seal Kit (Modular Controls Version)	
51	2900756	1	Seal Kit (Hydraforce Version)	
52	4640688	1	Cartridge, Valve - Manual Pull Control (Prior to August 1991)	
52	4640717	1	Cartridge, Valve - Manual Pull Control (August 1991 to Present)	
		Ref	<b>VALVES AND CONTROLS INSTALLATION - U/L APPROVED MACHINES (VARIABLE PARTS)</b>	
51	4640612	1	Cartridge, Valve - Solenoid Holding (24VDC)	
51	4640804	1	Cartridge, Valve - Solenoid Holding (16VDC)	
51	7010517	1	Coil - 24VDC	
51	7010551	1	Coil - 16VDC	
51	7010507	1	Shell, Coil	
51	2900503	1	Seal Kit	
52	4640717	1	Cartridge, Valve - Manual Pull Control	
		Ref	<b>LIFT CYLINDER ASSEMBLY (STANDARD PARTS) (CM2033,CM2046)</b>	
101	1682288	1	Rod Weldment (CM2033,CM2046)	
101	0961520	1	Bushing, Bronze (CM2033,CM2046)	
102	1120108	1	Cap, End (CM2033,CM2046)	
103	1681283	1	Head (CM2033,CM2046)	
104	3480147	1	Piston (CM2033,CM2046)	
105	2200221	3	Plug, Pipe (CM2033,CM2046)	
106	Kit	1	Seal, Wiper (CM2033,CM2046)	
107	Kit	1	Seal, Rod (CM2033,CM2046)	
108	Kit	1	Ring, Wear (CM2033,CM2046)	
109	Kit	1	O-Ring (CM2033,CM2046)	
110	Kit	1	O-Ring (CM2033,CM2046)	
111	Kit	1	Seal, Piston (CM2033,CM2046)	
112	Kit	1	Ring, Guidelock (CM2033,CM2046)	

## SECTION 5 - 5 CYLINDERS

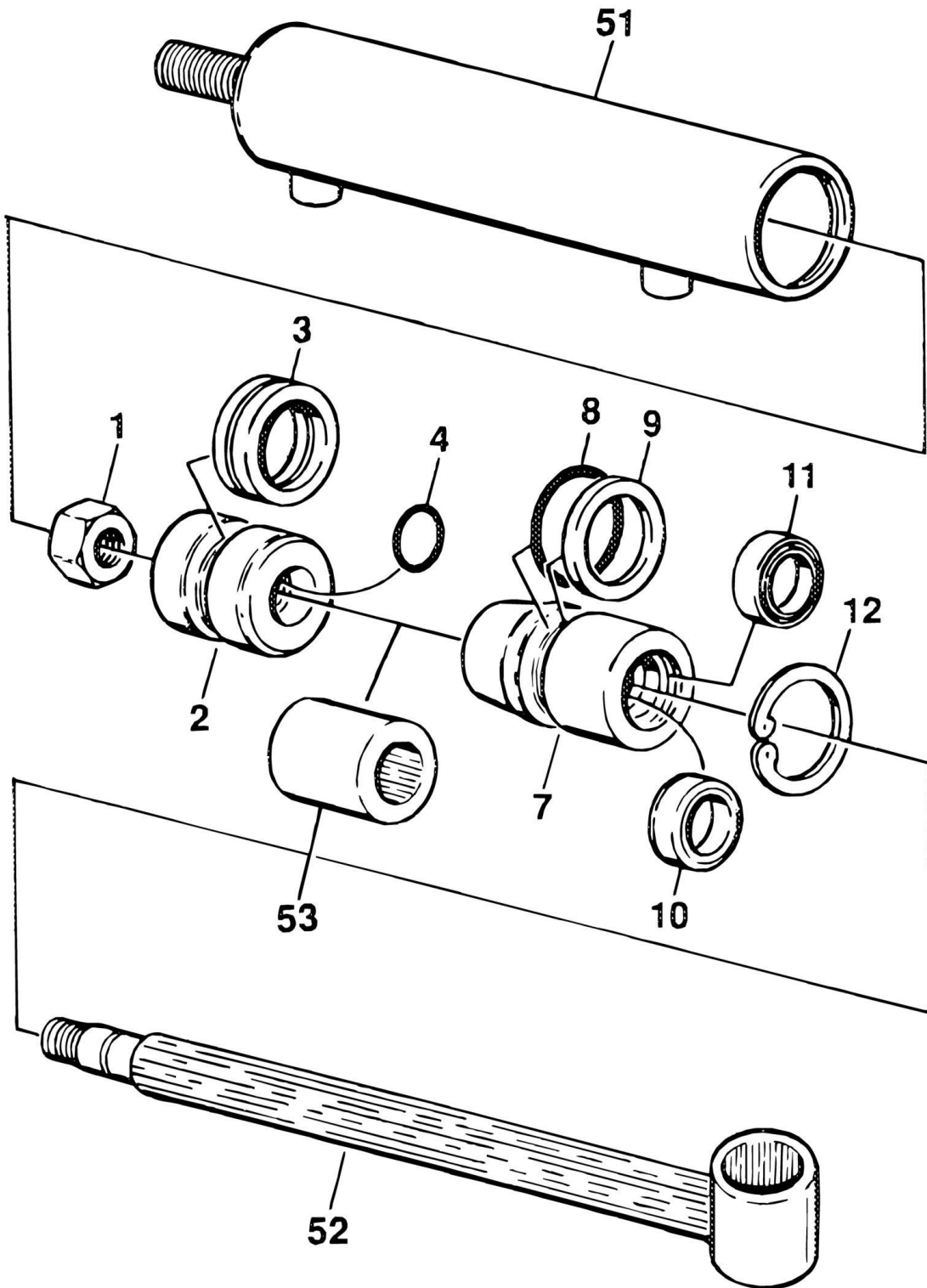
ITEM	PART NUMBER	QTY	DESCRIPTION	REV
113	4564885	1	Tube, Spacer (CM2033,CM2046)	
	0100011	AR	Loctite #242 (CM2033,CM2046)	
	0100020	AR	Sealant, Pipe (CM2033,CM2046)	
	0100035	AR	Loctite #222 (CM2033,CM2046)	
	0100038	AR	Primer, Locking (CM2033,CM2046)	
	2901165	1	Seal Kit (Includes Items 106-112) (CM2033,CM2046)	
	1682302	Ref	<b>LIFT CYLINDER ASSEMBLY - BUILT PRIOR TO MARCH 1991 (VARIABLE PARTS) (CM2033,CM2046)</b>	B
		Ref	<b>Note: When replacing complete cylinder assembly recommend using P/N 1682501. (CM2033,CM2046)</b>	
151	1682301	1	Barrel Weldment (CM2033,CM2046)	
	0961519	1	Bushing, Bronze (CM2033,CM2046)	
152	3300267	1	Nut (Not Shown) (CM2033,CM2046)	
153	3951404	2	Setscrew 1/4in-20NC x 1/2in (CM2033,CM2046)	
154	2180764	1	Plug (CM2033,CM2046)	
155	3421891	1	Pin (CM2033,CM2046)	
156	Not Required	0	Not Required (CM2033,CM2046)	
	1682501	Ref	<b>LIFT CYLINDER ASSEMBLY - BUILT MARCH 1991 TO PRESENT (VARIABLE PARTS) (CM2033,CM2046)</b>	B
151	1682502	1	Barrel Weldment (CM2033,CM2046)	
	0961519	1	Bushing, Bronze (CM2033,CM2046)	
152	3300281	1	Nut, Hex (CM2033,CM2046)	
153	3900170	1	Setscrew 3/8in-16NC x 3/8in (CM2033,CM2046)	
154	Not Required	0	Not Required (CM2033,CM2046)	
155	Not Required	0	Not Required (CM2033,CM2046)	
156	2220343	2	Fitting, Straight (CM2033,CM2046)	
		Ref	<b>LIFT CYLINDER ASSEMBLY (STANDARD PARTS) (CM2546,CM2558)</b>	
101	1682266	1	Rod Weldment (CM2546,CM2558)	
	0961520	1	Bushing, Bronze (CM2546,CM2558)	
102	1120305	1	Cap, End (CM2546,CM2558)	
103	1681423	1	Head (CM2546,CM2558)	
104	3480143	1	Piston (CM2546,CM2558)	
	2200221	1	Plug, Pipe (CM2546,CM2558)	
106	Kit	1	Seal, Wiper (CM2546,CM2558)	
107	Kit	1	Seal, Rod (CM2546,CM2558)	
108	Kit	1	Ring, Wear (CM2546,CM2558)	
109	Kit	1	O-Ring (CM2546,CM2558)	
110	Kit	1	O-Ring (CM2546,CM2558)	
111	Kit	1	Seal, Piston (CM2546,CM2558)	
112	Kit	1	Ring, Guidelock (CM2546,CM2558)	
113	4565008	1	Tube, Spacer (CM2546,CM2558)	
	0100011	AR	Loctite #242 (CM2546,CM2558)	
	0100020	AR	Sealant, Pipe (CM2546,CM2558)	
	0100035	AR	Loctite #222 (CM2546,CM2558)	
	0100038	AR	Primer, Locking (CM2546,CM2558)	
	2901158	1	Seal Kit (Includes Items 106-112) (CM2546,CM2558)	
	1682417	Ref	<b>LIFT CYLINDER ASSEMBLY - BUILD TO MARCH 1991 (VARIABLE PARTS) (CM2546,CM2558)</b>	B
		Ref	<b>Note; When replacing complete cylinder assembly recommend using P/N 1682503. (CM2546,CM2558)</b>	
151	1682264	1	Barrel Weldment (CM2546,CM2558)	
	0961519	1	Bushing, Bronze (CM2546,CM2558)	

## SECTION 5 - 5 CYLINDERS

ITEM	PART NUMBER	QTY	DESCRIPTION	REV
152	3300267	1	Nut (Not Shown) (CM2546,CM2558)	D
153	3951404	2	Setscrew 1/4in-20NC x 1/2in (CM2546,CM2558)	
154	2180764	1	Plug (CM2546,CM2558)	
155	3421891	1	Pin (CM2546,CM2558)	
156	Not Required	0	Not Required (CM2546,CM2558)	
	1682503	Ref	<b>LIFT CYLINDER ASSEMBLY - BUILT MARCH 1991 TO PRESENT (VARIABLE PARTS) (CM2546,CM2558)</b>	
151	1682504	1	Barrel Weldment (CM2546,CM2558)	
	0961519	1	Bushing, Bronze (CM2546,CM2558)	
152	3300281	1	Nut, Hex (CM2546,CM2558)	
153	3900170	1	Setscrew 3/8in-16NC x 3/8in (CM2546,CM2558)	
154	Not Required	0	Not Required (CM2546,CM2558)	
155	Not Required	0	Not Required (CM2546,CM2558)	

# SECTION 5 - 5 CYLINDERS

FIGURE 5-4. PLATFORM EXTENSION CYLINDER ASSEMBLY (HYDRAULICALLY EXTENDED DECK OPTION) (STANDARD PARTS)



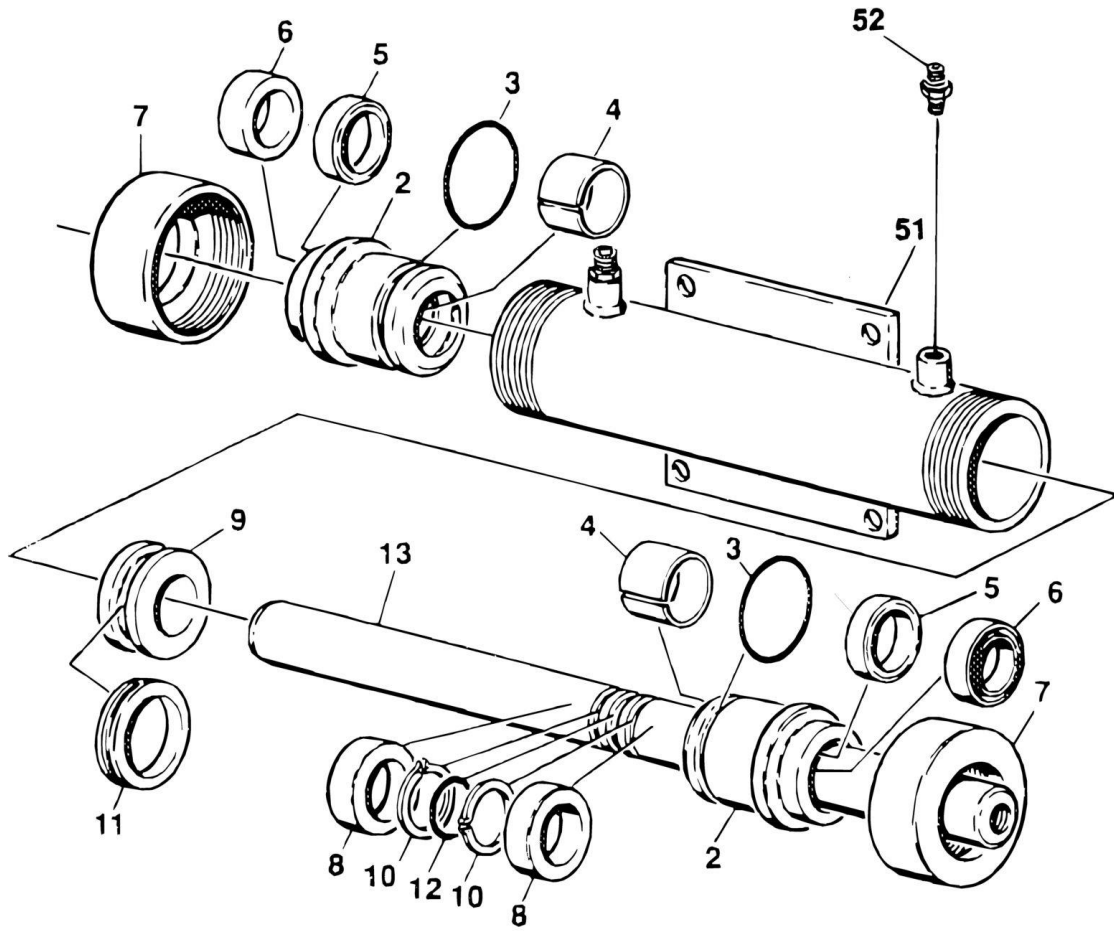
## SECTION 5 - 5 CYLINDERS

**FIGURE 5-4. PLATFORM EXTENSION CYLINDER ASSEMBLY (HYDRAULICALLY EXTENDED DECK OPTION) (STANDARD PARTS)**

ITEM	PART NUMBER	QTY	DESCRIPTION	REV
		Ref	<b>PLATFORM EXTENSION CYLINDER ASSEMBLY (HYDRAULICALLY EXTENDED DECK OPTIONS)(STANDARD PARTS)</b>	
1	7001084	1	Nut, Hex	
2	7001610	1	Piston	
3	Kit	1	Seal	
4	Kit	1	O-Ring	
7	7001613	1	Head	
8	Kit	1	O-Ring	
9	Kit	1	Ring, Back-up	
10	Kit	1	Seal	
11	Kit	1	Wiper	
12	7001614	1	Ring, Retainer	
	7001608	1	Seal Kit - Cylinder (Includes Items 3, 4, & 8-11)	
	1683204	Ref	<b>PLATFORM EXTENSION CYLINDER ASSEMBLY - 4 FT HYDRAULICALLY EXTENDED DECK (VARIABLE PARTS)</b>	-
51	Consult Factory	1	Barrel Weldment	
52	Consult Factory	1	Rod Weldment	
53	Consult Factory	1	Spacer	
	1683199	Ref	<b>PLATFORM EXTENSION CYLINDER ASSEMBLY - 6 FT HYDRAULICALLY EXTENDED DECK (VARIABLE PARTS)</b>	-
51	7001622	1	Barrel Weldment	
52	7001624	1	Rod Weldment	
153	7001623	1	Spacer	

# SECTION 5 - 5 CYLINDERS

## FIGURE 5-5. STEER CYLINDER ASSEMBLY



## SECTION 5 - 5 CYLINDERS

### FIGURE 5-5. STEER CYLINDER ASSEMBLY

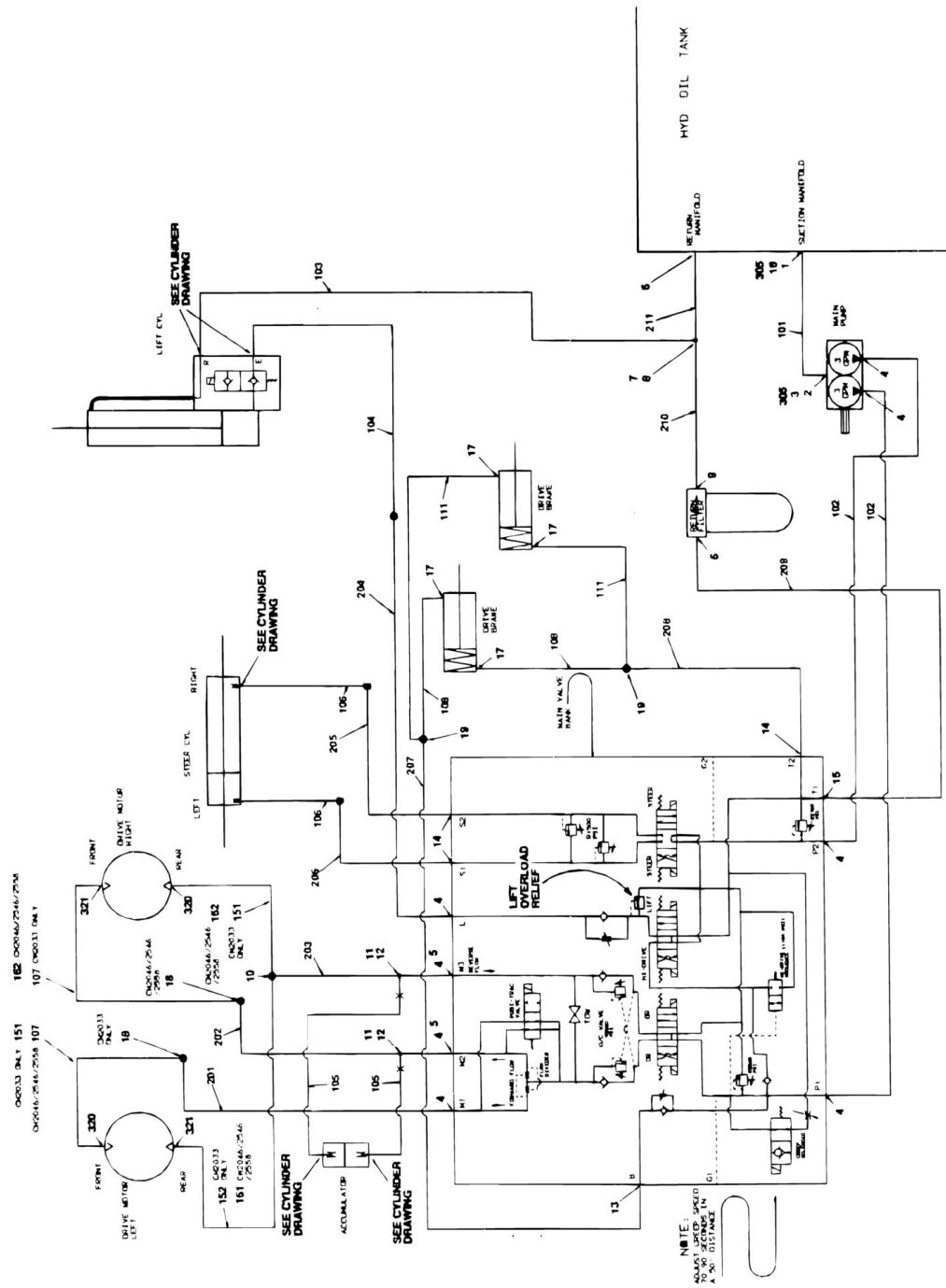
ITEM	PART NUMBER	QTY	DESCRIPTION	REV
		Ref	<b>STEER CYLINDER ASSEMBLY (STANDARD PARTS)</b>	
2	1682364	2	Head	
3	Kit	2	O-Ring	
4	Kit	2	Ring, Wear	
5	Kit	2	Seal, Rod	
6	Kit	2	Wiper	
7	1120387	2	Retainer	
7	0100035	AR	Loctite	
8	4564976	2	Spacer, Tube	
9	3480153	1	Piston	
10	3760141	2	Ring, Retaining	
11	Kit	1	T-Seal	
12	Kit	1	O-Ring	
13	1682382	1	Rod	
	2901178		Seal Kit (Includes Items 3, 4, 5, 6, 11 & 12)	
	1682379	Ref	<b>STEER CYLINDER ASSEMBLY - ALL MACHINES BUILT PRIOR TO JULY 1993 (VARIABLE PARTS)</b>	A
51	1682380	1	Barrel	
52	2220414	2	Fitting, Straight	
	1682996	Ref	<b>STEER CYLINDER ASSEMBLY - BUILT JULY 1993 TO SEPTEMBER 1995 (VARIABLE PARTS) (CM2033)</b>	A
51	1682994	1	Barrel (CM2033)	
52	2180803	2	Fitting (CM2033)	
	2180421	2	Orifice (.040) (July 1993 to June 1995) (CM2033)	
	2180804	2	Orifice (.040) (June 1995 to September 1995) (CM2033)	
	1682997	Ref	<b>STEER CYLINDER ASSEMBLY - BUILT JULY 1993 TO SEPTEMBER 1995 (VARIABLE PARTS) (CM2046,CM2546,CM2558)</b>	C
51	1682994	1	Barrel (CM2046,CM2546,CM2558)	
52	2180803	1	Fitting (CM2046,CM2546,CM2558)	
52	2180448	2	Orifice (.062) (July 1993 to June 1995) (CM2046,CM2546,CM2558)	
52	2180805	2	Orifice (.062) (June 1995 to September 1995) (CM2046,CM2546,CM2558)	
	1683408	Ref	<b>STEER CYLINDER ASSEMBLY - ALL MACHINES BUILT SEPTEMBER 1995 TO PRESENT (VARIABLE PARTS)</b>	-
	1682994	1	Barrel	
	2180803	1	Fitting	
52	2180804	2	Orifice (.040) (CM2033)	
52	2180805	2	Orifice (.062) (CM2046,CM2546,CM2558)	
	0255702	Ref	<b>OPTIONAL STEER REDUCTION INSTALLATION (NOT SHOWN) (CM2046,CM2558)</b>	-
	2180804	2	Orifice (.040) (Replace existing orifice) (CM2046,CM2558)	



**SECTION 6 - 6 HYDRAULICS**

# SECTION 6 - 6 HYDRAULICS

## FIGURE 6-1. HYDRAULIC DIAGRAM - BANG-BANG DRIVE



## SECTION 6 - 6 HYDRAULICS

### FIGURE 6-1. HYDRAULIC DIAGRAM - BANG-BANG DRIVE

ITEM	PART NUMBER	QTY	DESCRIPTION	REV
	1281465	Ref	<b>HYDRAULIC DIAGRAM - BANG-BANG DRIVE</b>	J
	2901248	Ref	Fittings Kit	-
1	2220493	1	Fitting, 90	
2	2210008	1	Fitting, 90	
3	2220593	1	Fitting, Straight	
4	2220600	8	Fitting, Straight	
5	2220386	2	Fitting, 90	
6	2220847	2	Fitting, 90	
7	2220849	1	Fitting, Tee	
8	2220620	1	Fitting, Reducer	
9	2220848	1	Fitting, Straight	
10	2220362	1	Fitting, Tee	
11	2220385	2	Fitting, Tee	
12	2220618	2	Fitting, Reducer	
13	2220371	1	Fitting, Straight	
14	2220603	3	Fitting, Straight	
15	2220852	1	Fitting, Straight	
16	2210023	1	Fitting, 90	
17	2220773	4	Fitting, 90	
18	2220512	1	Fitting	
19	2220490	2	Fitting, Tee	
		Ref	<b>HOSE KIT (STANDARD KIT)</b>	
101	2720286	33 in/84 cm	Hose, Suction	
102	2750970	1	Hose	
103	2752168	1	Hose	
104	2751874	1	Hose	
105	2750889	2	Hose	
106	2751459	2	Hose	
107	2751526	1	Hose	
108	2750779	2	Hose	
111	2751002	2	Hose	
	2901202	Ref	<b>HOSE KIT (VARIABLE PARTS) (CM2033)</b>	B
151	2751523	2	Hose (CM2033)	
152	2751524	1	Hose (CM2033)	
	2901203	Ref	<b>HOSE KIT (VARIABLE PARTS) (CM2046,CM2546,CM2558)</b>	B
161	2751529	1	Hose (CM2046,CM2546,CM2546)	
162	2751531	2	Hose (CM2046,CM2546,CM2546)	
	2901239	Ref	<b>TUBE KIT (CM2046,CM2546,CM2546)</b>	-
201	4564998	1	Tube (CM2046,CM2546,CM2546)	
202	4564996	1	Tube (CM2046,CM2546,CM2546)	
203	4564997	1	Tube (CM2046,CM2546,CM2546)	
204	4564995	1	Tube (CM2046,CM2546,CM2546)	
205	4564992	1	Tube (CM2046,CM2546,CM2546)	
206	4564993	1	Tube (CM2046,CM2546,CM2546)	
207	4564994	1	Tube (CM2046,CM2546,CM2546)	
208	4564991	1	Tube (CM2046,CM2546,CM2546)	
209	4564988	1	Tube (CM2046,CM2546,CM2546)	
210	4564989	1	Tube (CM2046,CM2546,CM2546)	
211	4564990	1	Tube (CM2046,CM2546,CM2546)	

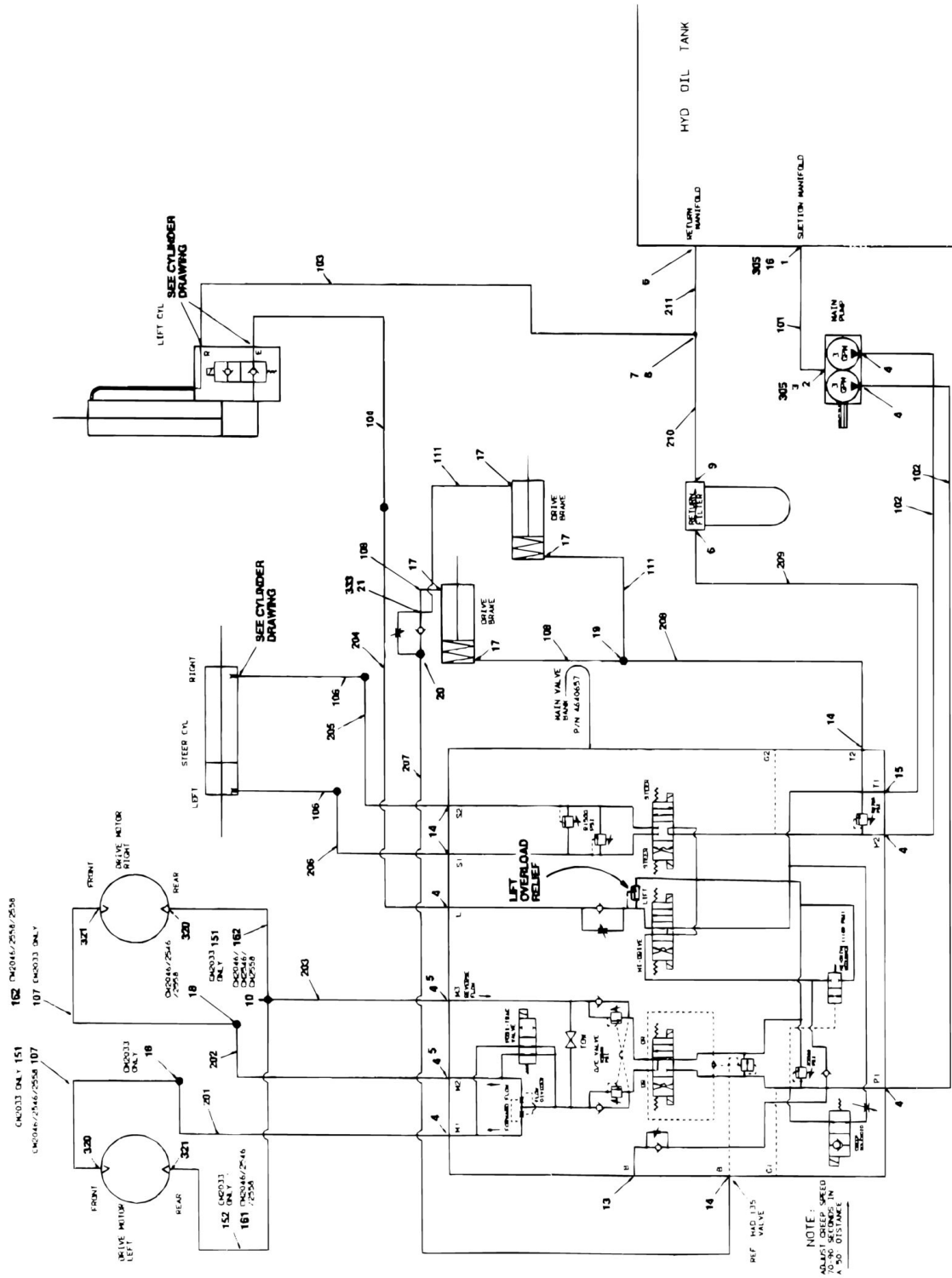
## SECTION 6 - 6 HYDRAULICS

ITEM	PART NUMBER	QTY	DESCRIPTION	REV
	2791767	Ref	HYDRAULIC DIAGRAM (CM2033)	I
	2791768	Ref	HYDRAULIC DIAGRAM (CM2046,CM2546,CM2558)	J
305	1320030	4	Clamp	
320	2220850	2	Fitting, 90	
320	7012594	2	O-Ring Kit (1 per Fitting)	
321	2220851	2	Fitting, 90	
321	7012594	2	O-Ring Kit (1 per Fitting)	
347	0100011	AR	Loctite # 242 (Not Shown)	



# SECTION 6 - 6 HYDRAULICS

## FIGURE 6-2. HYDRAULIC DIAGRAM - PROPORTIONAL DRIVE



## SECTION 6 - 6 HYDRAULICS

### FIGURE 6-2. HYDRAULIC DIAGRAM - PROPORTIONAL DRIVE

ITEM	PART NUMBER	QTY	DESCRIPTION	REV
	1281760	Ref	<b>HYDRAULIC DIAGRAM - PROPORTIONAL DRIVE</b>	D
	2901254	Ref	<b>FITTINGS KIT</b>	-
1	2220493	1	Fitting, 90	
2	2210008	1	Fitting, 90	
3	2220593	1	Fitting, Straight	
4	2220600	8	Fitting, Straight	
5	2220386	2	Fitting, 90	
6	2220847	2	Fitting, 90	
7	2220849	1	Fitting, Tee	
8	2220620	1	Fitting, Reducer	
9	2220848	1	Fitting, Straight	
10	2220362	1	Fitting, Tee	
11	2220385	2	Fitting, Tee	
12	2220618	2	Fitting, Reducer	
13	2220237	1	Fitting	
14	2220603	4	Fitting, Straight	
15	2220852	1	Fitting, Straight	
16	2210023	1	Fitting, 90	
17	2220773	4	Fitting, 90	
18	2220512	1	Fitting	
19	2220490	1	Fitting, Tee	
20	2220399	1	Fitting, Straight	
21	2220740	1	Fitting, Tee	
	1281760	Ref	<b>HOSE KIT (STANDARD PARTS)</b>	D
101	2720286	1	Hose, Suction	
102	2750970	2	Hose	
103	2752168	1	Hose	
104	2251874	1	Hose	
106	2751459	1	Hose	
107	2751526	1	Hose	
108	2750779	2	Hose	
111	2751002	2	Hose	
	2901245	Ref	<b>HOSE KIT (VARIABLE PARTS) (CM2033)</b>	-
151	2751523	2	Hose (CM2033)	
152	2751524	1	Hose (CM2033)	
	2901246	Ref	<b>HOSE KIT (VARIABLE PARTS) (CM2046,CM2546,CM2558)</b>	-
161	2751529	1	Hose (CM2046,CM2546,CM2558)	
162	2751531	2	Hose (CM2046,CM2546,CM2558)	
	2901247	Ref	<b>TUBE KIT (STANDARD PARTS) (CM2046,CM2546,CM2558)</b>	-
201	4564998	1	Tube (CM2046,CM2546,CM2558)	
202	4566036	1	Tube (CM2046,CM2546,CM2558)	
203	4566037	1	Tube (CM2046,CM2546,CM2558)	
204	4564995	1	Tube (CM2046,CM2546,CM2558)	
205	4564992	1	Tube (CM2046,CM2546,CM2558)	
206	4564993	1	Tube (CM2046,CM2546,CM2558)	
207	4566038	1	Tube (CM2046,CM2546,CM2558)	
208	4564991	1	Tube (CM2046,CM2546,CM2558)	
209	4564988	1	Tube (CM2046,CM2546,CM2558)	
210	4564989	1	Tube (CM2046,CM2546,CM2558)	
211	4564990	1	Tube (CM2046,CM2546,CM2558)	

## SECTION 6 - 6 HYDRAULICS

ITEM	PART NUMBER	QTY	DESCRIPTION	REV
	2791912	Ref	HYDRAULIC DIAGRAM (CM2033)	B
	2791913	Ref	HYDRAULIC DIAGRAM (CM2046,CM2546,CM2558)	B
305	1320030	4	Clamp	
320	2220850	2	Fitting, Swivel	
320	7012594	2	O-Ring Kit (1 per Fitting)	
321	2220851	2	Fitting, Swivel	
321	7012594	2	O-Ring Kit (1 per Fitting)	
333	4640128	1	Valve	
347	0100011	AR	Loctite #242	

**SECTION 7 - 7 ELECTRICAL**

# SECTION 7 - 7 ELECTRICAL

## FIGURE 7-1. ELECTRICAL DIAGRAMS AND COMPONENTS CHART

ITEM	PART NUMBER	QTY	DESCRIPTION	REV
		Ref	<b>ELECTRICAL DIAGRAMS AND COMPONENTS CHART</b>	
		Ref	(Note: Diagrams not shown are available from JLG service Department upon request.)	
	1281570	Ref	<b>ALARMS ELECTRICAL DIAGRAM STANDARD (DWG ONLY)</b>	E
	0251762	Ref	<b>ALARM ELECTRICAL DIAGRAM - DESCENT (B/M ONLY)</b>	B
	0251761	Ref	<b>ALARM ELECTRICAL DIAGRAM - MOTION (TOGGLE SWITCH DRIVE) (B/M ONLY)</b>	B
	0254268	Ref	<b>ALARM ELECTRICAL DIAGRAM - MOTION (PQ BANG-BANG DRIVE) (B/M ONLY)</b>	-
	0251760	Ref	<b>ALARM ELECTRICAL DIAGRAM - TRAVEL (TOGGLE SWITCH DRIVE) (B/M ONLY)</b>	B
	0254267	Ref	<b>ALARM ELECTRICAL DIAGRAM - TRAVEL PQ BANG-BANG DRIVE (B/M ONLY)</b>	-
	0140033	1	Alarm, Motion	
	3990010	AR	Diode - 6 Amp	
	1281570	Ref	<b>ALARMS ELECTRICAL DIAGRAM - UL LISTED (DWG ONLY)</b>	E
	0254287	Ref	<b>ALARM ELECTRICAL DIAGRAM -DESCENT (B/M ONLY)</b>	A
	0254285	Ref	<b>ALARM ELECTRICAL DIAGRAM - MOTION (TOGGLE SWITCH DRIVE) (B/M ONLY)</b>	B
	0254288	Ref	<b>ALARM ELECTRICAL DIAGRAM - MOTION (PQ BANG-BANG DRIVE) (B/M ONLY)</b>	-
	0254286	Ref	<b>ALARM ELECTRICAL DIAGRAM - TRAVEL (TOGGLE SWITCH DRIVE) (B/M ONLY)</b>	A
	0254289		<b>ALARM ELECTRICAL DIAGRAM - TRAVEL (PQ BANG-BANG DRIVE) (B/M ONLY)</b>	
	0140033	1	Alarm, Motion	
	3990010	AR	Diode - 6 Amp	
	0251758	Ref	<b>BATTERY/HOUR GAUGE ELECTRICAL DIAGRAM (STEEL CONSOLE BOX)</b>	B
	0253499	Ref	<b>BATTERY/HOUR GAUGE ELECTRICAL DIAGRAM (MOLDED CONSOLE BOX)</b>	A
	2420106	1	Gauge, Battery/Hour	
	0252274	Ref	<b>BEACON LIGHT ELECTRICAL DIAGRAM (FRAME MOUNTED)</b>	A
	2920087	1	Light Beacon	
	1060341	6 ft/1.8m	Cable, Electrical - 16/2	
	0251870	Ref	<b>BEACON LIGHT ELECTRICAL DIAGRAM (PLATFORM MOUNTED LIGHT/STEEL CONSOLE BOX)</b>	B
	2920092	1	Light Beacon	
	1060341	16 ft/5m	Cable, Electrical	
	4460049	1	Connector, Strain Relief (Located at Console Box)	
	3300047	1	Locknut, Conduit (Located at Console Box)	
	0960239	1	Bushing (Located at Console Box)	
	1281952	Ref	<b>BEACON LIGHT ELECTRICAL DIAGRAM (PLATFORM MOUNTED LIGHT/MOLDED CONSOLE BOX) (DWG ONLY)</b>	A
	0253476	Ref	<b>BEACON LIGHT ELECTRICAL DIAGRAM - STANDARD (B/M ONLY) (CM2033,CM2046)</b>	-
	0253477	Ref	<b>BEACON LIGHT ELECTRICAL DIAGRAM - U/L APPROVED (B/M ONLY) (CM2033,CM2046)</b>	-
	0253478	Ref	<b>BEACON LIGHT ELECTRICAL DIAGRAM - STANDARD (B/M ONLY) (CM2546,CM2558)</b>	-
	0253479	Ref	<b>BEACON LIGHT ELECTRICAL DIAGRAM - U/L APPROVED (B/M ONLY) (CM2546,CM2558)</b>	-

## SECTION 7 - 7 ELECTRICAL

ITEM	PART NUMBER	QTY	DESCRIPTION	REV
	2920087	1	Light, Beacon - Standard	
	2920092	1	Light, Beacon - U/L Approved	
	1060341	AR	Cable, Electrical - 16/2	
	1060341	54 ft/16.5m	Cable, Electrical - 16/2 (CM2033,CM2046)	
	1060341	62 ft/19m	Cable, Electrical - 16/2 (CM2546,CM2558)	
	0253814	Ref	<b>BEACON LIGHT ELECTRICAL DIAGRAM (UNDER PLATFORM MOUNTED)</b>	B
		Ref	<b>CIRCUIT CARD ELECTRICAL DIAGRAM (ENABLE)</b>	
	0610101	Ref	Circuit Card Electrical Diagram (Prior to January 1995)	
	0610113	Ref	Circuit Card Electrical Diagram (January 1995 to Present)	-
	0610105	Ref	<b>CIRCUIT CARD ELECTRICAL DIAGRAM (RELAY)</b>	
	1281645	Ref	<b>DRIVE CUTOFF ELECTRICAL DIAGRAM (STEEL CONSOLE BOX) (DWG ONLY)</b>	E
	0252097	Ref	<b>DRIVE CUTOFF ELECTRICAL DIAGRAM (STEEL CONSOLE BOX) (B/M ONLY)</b>	-
	1281950	Ref	<b>DRIVE CUTOFF ELECTRICAL DIAGRAM (MOLDED CONSOLE BOX) (DWG ONLY)</b>	A
	0253491	Ref	<b>DRIVE CUTOFF ELECTRICAL DIAGRAM (MOLDED CONSOLE BOX) (B/M ONLY)</b>	A
	4360300	1	Switch, Limit	
	1060341	15 ft/4.6m	Cable, Control - 16/2	
	0254029	Ref	<b>HEADLIGHT ELECTRICAL DIAGRAM (See SPECIAL OPTIONS LIST SECTION for Breakdown)</b>	-
	0255703	Ref	<b>HIGH SPEED DISCONNECT ELECTRICAL DIAGRAM</b>	-
	0251788	Ref	<b>HORN ELECTRICAL DIAGRAM (STEEL CONSOLE BOX)</b>	B
	0253465	Ref	<b>HORN ELECTRICAL DIAGRAM (MOLDED CONSOLE BOX)</b>	A
	0140022	1	Horn	
	4360274	1	Switch, Push Button	
	1060341	8 ft/2.4m	Cable, Electrical - 16/2	
	1282224	Ref	<b>HOURMETER AT GROUND CONTROL ELECTRICAL DIAGRAM</b>	-
	1282310	Ref	<b>PLATFORM DECK ELECTRICAL DIAGRAM (HYDRAULICALLY EXTENDED DECK) (DWG ONLY)</b>	A
	4932718	Ref	Platform Deck Electrical Diagram (B/M Only) (CM2033,CM2046)	-
	4932719	Ref	Platform Deck Electrical Diagram (B/M Only) (CM2546,CM2558)	D
	3990010	1	Diode - 6 Amp	
	1060331	AR	Cable, Electrical - 16/4	
	1060331	44 ft	Cable, Electrical - 16/4 (CM2033,CM2046)	
	1060331	50 ft	Cable, Electrical - 16/4 (CM2546,CM2558)	
	4921558	1	Cable Assembly (CM2033,CM2046)	
	4921556	1	Cable Assembly (CM2546,CM2558)	
	4921709	1	Harness	
	0239707	Ref	<b>PLATFORM WORKLIGHTS ELECTRICAL DIAGRAM (STANDARD MACHINES WITH STEEL CONSOLE BOX)</b>	-
	9983590	Ref	<b>PLATFORM WORKLIGHTS ELECTRICAL DIAGRAM (STANDARD MACHINES WITH STEEL CONSOLE BOX)</b>	-
	0250305	Ref	<b>PLATFORM WORKLIGHTS ELECTRICAL DIAGRAM (U/L APPROVED MACHINES WITH MOLDED CONSOLE BOX)</b>	-
	1281951	Ref	<b>PLATFORM WORKLIGHTS ELECTRICAL DIAGRAM (MOLDED CONSOLE BOX) (DWG ONLY)</b>	A
	0253504	Ref	<b>PLATFORM WORKLIGHTS ELECTRICAL DIAGRAM (STANDARD - WITH MOLDED CONSOLE BOX) (B/M ONLY) (CM2033,CM2046)</b>	-

## SECTION 7 - 7 ELECTRICAL

ITEM	PART NUMBER	QTY	DESCRIPTION	REV
	0253505	Ref	<b>PLATFORM WORKLIGHTS ELECTRICAL DIAGRAM (U/L APPROVED - WITH MOLDED CONSOLE BOX) (B/M ONLY) (CM2033,CM2046)</b>	-
	0253506	Ref	<b>PLATFORM WORKLIGHTS ELECTRICAL DIAGRAM (STANDARD - WITH MOLDED CONSOLE BOX) (B/M ONLY) (CM2546,CM2558)</b>	-
	0253507	Ref	<b>PLATFORM WORKLIGHTS ELECTRICAL DIAGRAM (U/L APPROVED - WITH MOLDED CONSOLE BOX) (B/M ONLY) (CM2546,CM2558)</b>	-
	2920088	2	Worklight (Standard Machines with Steel Console Box)	
	2920093	2	Worklight (All U/L Approved Machines/Standard Machines with Molded Console Boxes)	
	1060341	Ref	Cable, Electrical - 16/2 (Molded Console Box Only)	
	1060341	54 ft/16.5m	Cable, Electrical - 16/2 (CM2033,CM2046)	
	1060341	62 ft/18m	Cable, Electrical - 16/2 (CM2546,CM2558)	
		Ref	<b>STANDARD "GROUND TO PLATFORM" CABLE/HARNESS WITH STEEL CONSOLE BOX:</b>	
		Ref	<b>WITH STEEL CONSOLE BOX:</b>	
	1060306	46 ft/15.2m	With Steel Console Box - Standard Machines (CM2033,CM2046)	
	1060325	48 ft/15.2m	With Steel Console Box - U/L Approved Machines (CM2033,CM2046)	
	1060306	54 ft/16.5m	With Steel Console Box - Standard Machines (CM2546,CM2558)	
	1060325	54 ft/16.5m	With Steel Console Box - U/L Approved Machines (CM2546,CM2558)	
		Ref	<b>WITH MOLDED CONSOLE BOX:</b>	
	4921516	1	With Molded Console Box - Standard Machines (CM2033,CM2046)	
	1060325	46 ft/15.2m	With Molded Console Box - U/L Approved Machines (CM2033,CM2046)	
	4921519	1	With Molded Console Box - Standard Machines (CM2546,CM2558)	
	1060325	54 ft/16.5m	With Molded Console Box - U/L Approved Machines (CM2546,CM2558)	
	1281557	Ref	<b>STANDARD ELECTRICAL DIAGRAM - TOGGLE SWITCH DRIVE/STEEL CONSOLE BOX/STANDARD MACHINE (DWG ONLY)</b>	D
	4932322	Ref	Ground Components (B/M Only)	E
	4932369	Ref	Platform Components (B/M Only)	B
	4921306	1	Valve and Ground Control Harness	D
	4460277	1	Strip, Terminal - 14 Position	
	3990010	7	Diode - 6 Amp	
	1060341	30 ft/9m	Cable, Electrical - 16/2 (To Cutout Switch/To Lift Down Solenoid)	
	1281879	Ref	<b>STANDARD ELECTRICAL DIAGRAM -TOGGLE SWITCH DRIVE/MOLDED CONSOLE BOX/STANDARD MACHINE (DWG ONLY)</b>	B
	4932517	Ref	Ground Components (B/M Only)	A
	4932518	Ref	Platform Components (B/M Only)	A
	4921454	1	Valve and Ground Control Harness	
	4460277	1	Strip, Terminal - 14 Position	
	3990010	7	Diode - 6 Amp	
	1060341	30 ft/9m	Cable, Electrical - 16/2 (To Cutout Switch/To Lift Down Solenoid)	

## SECTION 7 - 7 ELECTRICAL

ITEM	PART NUMBER	QTY	DESCRIPTION	REV
	1281668	Ref	<b>STANDARD ELECTRICAL DIAGRAM -TOGGLE SWITCH DRIVE/STEEL CONSOLE BOX/UL APPROVED MACHINE (DWG ONLY)</b>	-
	4932426	Ref	Ground Components (B/M Only)	-
	4932427	Ref	Platform Components (B/M Only)	A
	4921386	1	Valve and Ground Control Harness	
	4460277	1	Strip, Terminal - 14 Position	
	3990010	7	Diode - 6 Amp	
	1060341	30/9m	Cable, Electrical - 16/2 (To Cutout Switch/To Lift Down Solenoid)	
	1281891	Ref	<b>STANDARD ELECTRICAL DIAGRAM - TOGGLE SWITCH DRIVE/MOLDED CONSOLE BOX/UL APPROVED MACHINE (DWG ONLY)</b>	C
	4932553	Ref	Ground Components (B/M Only)	A
	4932554	Ref	Platform Components (B/M Only)	A
	4921478	1	Valve and Ground Control Harness	
	4460277	1	Strip, Terminal - 14 Position	
	3990010	7	Diode - 6 Amp	
	1060341	30/9m	Cable, Electrical - 16/2 (To Cutout Switch/To Lift Down Solenoid)	
	4932731	Ref	Wiring Diagram Retrofit - UL "EE"	-
	1281558	Ref	<b>STANDARD ELECTRICAL DIAGRAM - PQ BANG-BANG DRIVE/STEEL CONSOLE BOX/STANDARD MACHINE (DWG ONLY)</b>	C
	4932331	Ref	Ground Components (B/M Only)	D
	4932371	Ref	Platform Components (B/M Only)	A
	4921306	1	Valve and Ground Control Harness	D
	4460277	1	Strip, Terminal - 14 Position	
	3990010	7	Diode - 6 Amp	
	1060341	30/9m	Cable, Electrical - 16/2 (To Cutout Switch/To Lift Down Solenoid)	
	4921308	1	PQ Controller Harness	
	1281880	Ref	<b>STANDARD ELECTRICAL DIAGRAM PQ BANG-BANG DRIVE/MOLDED CONSOLE BOX/STANDARD MACHINE (DWG ONLY)</b>	B
	4932520	Ref	Ground Components (B/M Only)	B
	4932521	Ref	Platform Components (B/M Only)	-
	4921454	1	Valve and Ground Control Harness	-
	4460277	1	Strip, Terminal - 14 Position	
	1060341	30 ft/9m	Cable, Electrical - 16/2 (To Cutout Switch/To Lift Down Solenoid)	
	1281669	Ref	<b>STANDARD ELECTRICAL DIAGRAM - PQ BANG-BANG DRIVE/STEEL CONSOLE BOX/UL APPROVED MACHINE (DWG ONLY)</b>	-
	4932428	Ref	Ground Components (B/M Only)	-
	4932429	Ref	Platform Components (B/M Only)	-
	4921386	1	Valve and Ground Control Harness	-
	4460277	1	Strip, Terminal - 14 Position	
	3990010	7	Diode - 6 Amp	
	1060341	30/9m	Cable, Electrical - 16/2 (To Cutout Switch/To Lift Down Solenoid)	
	4921308	1	PQ Controller Harness	
	1281892	Ref	<b>STANDARD ELECTRICAL DIAGRAM - PQ BANG-BANG DRIVE/MOLDED CONSOLE BOX/UL APPROVED MACHINE (DWG ONLY)</b>	B

## SECTION 7 - 7 ELECTRICAL

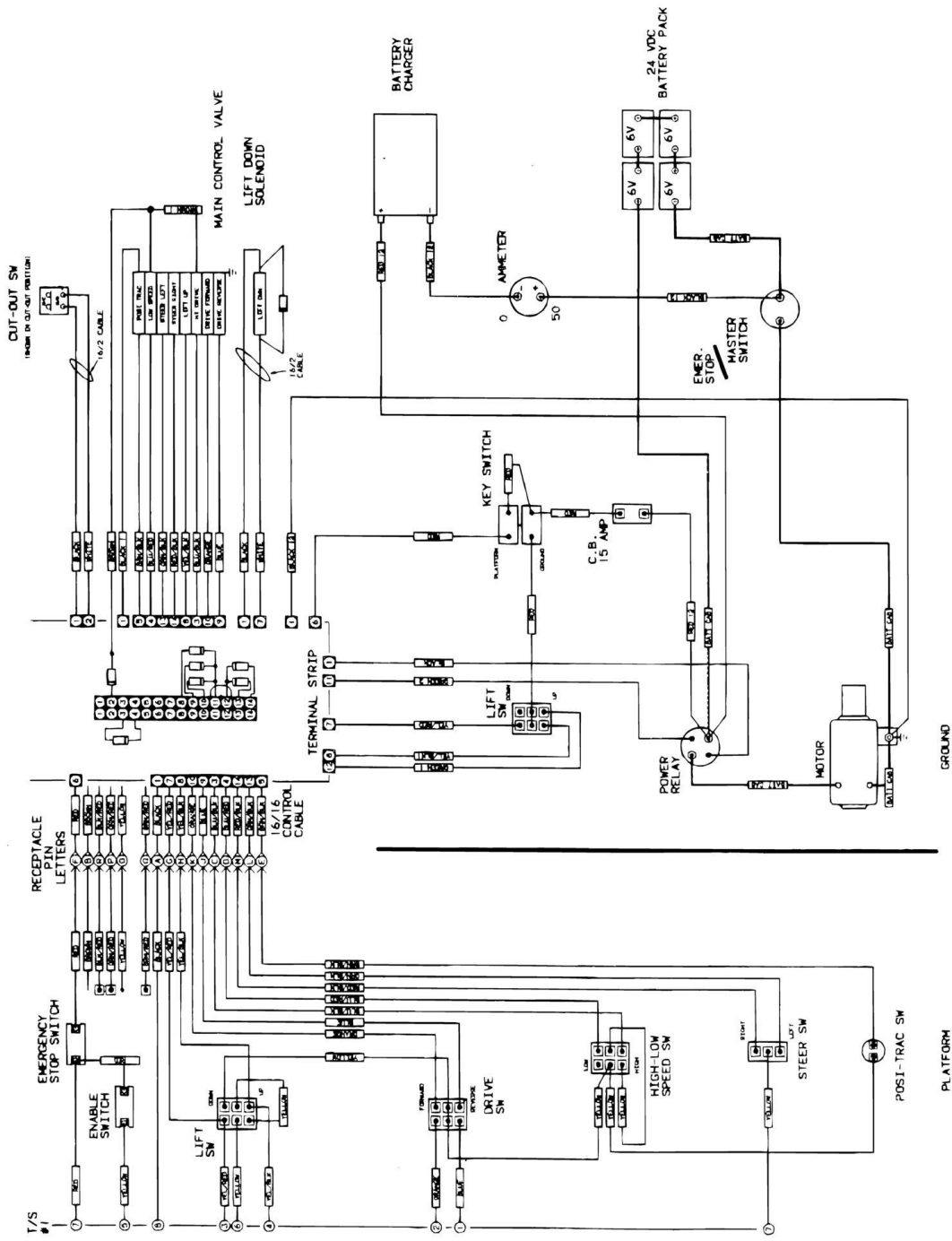
ITEM	PART NUMBER	QTY	DESCRIPTION	REV
	4932556	Ref	Ground Components (B/M Only)	A
	4932557	Ref	Platform Components (B/M Only)	-
	4921480	1	Valve and Ground Control Harness	-
	4460277	1	Strip, Terminal - 14 Position	
	3990010	7	Diode - 6 Amp	
	1060341	30/9m	Cable, Electrical - 16/2 (To Cutout Switch/To Lift Down Solenoid)	
	4932732	Ref	Wiring Diagram Retrofit - UL "EE"	-
	1281780	Ref	<b>STANDARD ELECTRICAL DIAGRAM - PQ PROPORTIONAL DRIVE/STEEL CONSOLE BOX/STANDARD MACHINE (DWG ONLY)</b>	B
	4932477	Ref	Ground Components (B/M Only)	-
	4932475	Ref	Platform Components (B/M Only)	A
	4921408	1	Valve and Ground Control Harness	A
	4460277	1	Strip, Terminal - 14 Position	
	3990010	5	Diode - 6 Amp	
	1060341	30/9m	Cable, Electrical - 16/2 (To Cutout Switch/To Lift Down Solenoid)	
	4921412	1	PQ Controller Harness	
	3990010	1	Diode - 6 Amp	
	1281881	Ref	<b>STANDARD ELECTRICAL DIAGRAM - PQ PROPORTIONAL DRIVE/MOLDED CONSOLE BOX/STANDARD MACHINE (DWG ONLY)</b>	D
	4932523	Ref	Ground Components (B/M Only)	B
	4932524	Ref	Platform Components (B/M Only)	-
	4921458	1	Valve and Ground Control Harness	A
	4460277	1	Strip, Terminal - 14 Position	
	3930010	1	Diode - 6 Amp	
	1060341	30/9m	Cable, Electrical - 16/2 (To Cutout Switch/To Lift Down Solenoid)	
	3990010	1	Diode - 6 Amp	
	1281765	Ref	<b>STANDARD ELECTRICAL DIAGRAM - PQ PROPORTIONAL DRIVE/STEEL CONSOLE BOX/UL APPROVED MACHINE (DWG ONLY)</b>	A
	4932464	Ref	Ground Components (B/M Only)	A
	4932465	Ref	Platform Components (B/M Only)	-
	4921405	1	Valve and Ground Control Harness	-
	4460277	1	Strip, Terminal - 14 Position	
	3990010	5	Diode - 6 Amp	
	1060341	30/9m	Cable, Electrical - 16/2 (To Cutout Switch/To Lift Down Solenoid)	
	4921308	1	PQ Controller Harness	
	1281893	Ref	<b>STANDARD ELECTRICAL DIAGRAM - PQ PROPORTIONAL DRIVE/MOLDED CONSOLE BOX/UL APPROVED MACHINE (DWG ONLY)</b>	D
	4932559	Ref	Ground Components (B/M Only)	B
	4932560	Ref	Platform Components (B/M Only)	-
	4921482	1	Valve and Ground Control Harness	A
	4460277	1	Strip, Terminal - 14 Position	
	3990010	1	Diode 6 Amp	
	1060341	30/9m	Cable, Electrical - 16/2 (To Cutout Switch/To Lift Down Solenoid)	
	3990010	1	Diode - 6 Amp	
	4932733	Ref	Wiring Diagram Retrofit - UL "EE"	-

## SECTION 7 - 7 ELECTRICAL

ITEM	PART NUMBER	QTY	DESCRIPTION	REV
	1281874	Ref	<b>TILT INDICATOR ELECTRICAL DIAGRAM (STEEL CONSOLE BOX/STANDARD MACHINES) (DWG ONLY)</b>	C
	0251724	Ref	<b>TILT INDICATOR ELECTRICAL DIAGRAM (B/M ONLY)</b>	C
	1281949	Ref	<b>TILT INDICATOR ELECTRICAL DIAGRAM (MOLDED CONSOLE BOX) (DWG ONLY)</b>	F
	0253485	Ref	<b>TILT INDICATOR ELECTRICAL DIAGRAM (B/M ONLY)</b>	-
	0252311	Ref	<b>TILT INDICATOR ELECTRICAL DIAGRAM (STEEL CONSOLE BOX/UL APPROVED MACHINES)</b>	A
	4360303	1	Tilt Switch/Harness Assembly	
	4360171	1	Switch, Tilt	
	1060171	9 ft/2.7m	Cable, Electrical - 16/3	
	3740069	1	Relay, Power (Steel Console Box Only)	
	2920026	1	Light, Indicator - Red (Located on Console Box)	
	2920094	1	Bulb, Lamp (Located on Console Box)	
	4460007	1	Strip, Terminal - 6 Position	
	1060330	10 ft/.3m	Cable, Electrical - 16/3 (To Cutout Switch) (Standard Machines)	
	1060300	10 ft/.3m	Cable, Electrical - 16/3 (To Cutout Switch) (UL Approved Machines)	
	0140011	1	Alarm, Sonalert	
	1670547	1	Cover, Tilt Switch (UL Approved Machines Only)	

# SECTION 7 - 7 ELECTRICAL

## FIGURE 7-2. ELECTRICAL DIAGRAM - TOGGLE SWITCH DRIVE

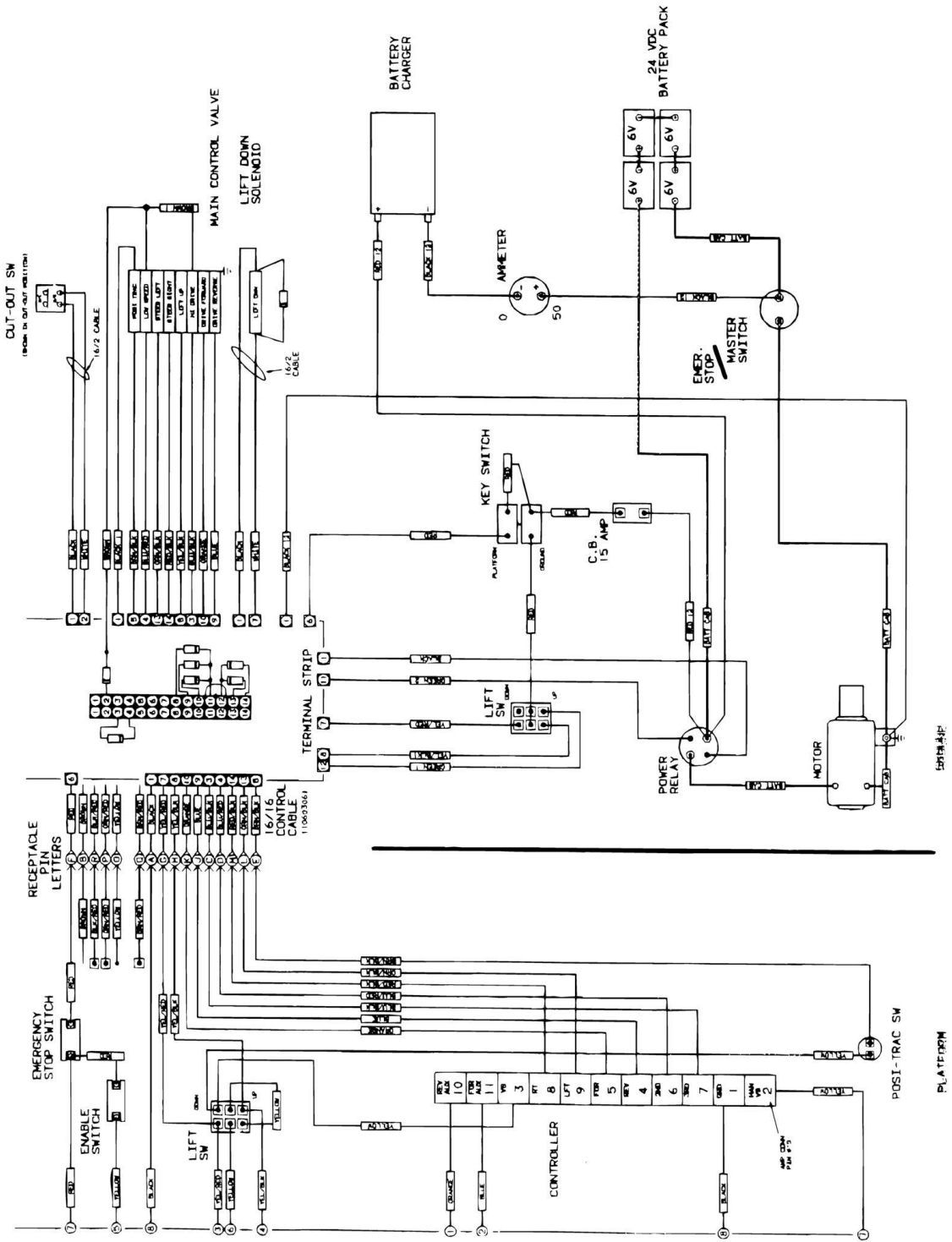


1281879 B



# SECTION 7 - 7 ELECTRICAL

## FIGURE 7-3. ELECTRICAL DIAGRAM - PQ CONTROLLER BANG-BANG DRIVE

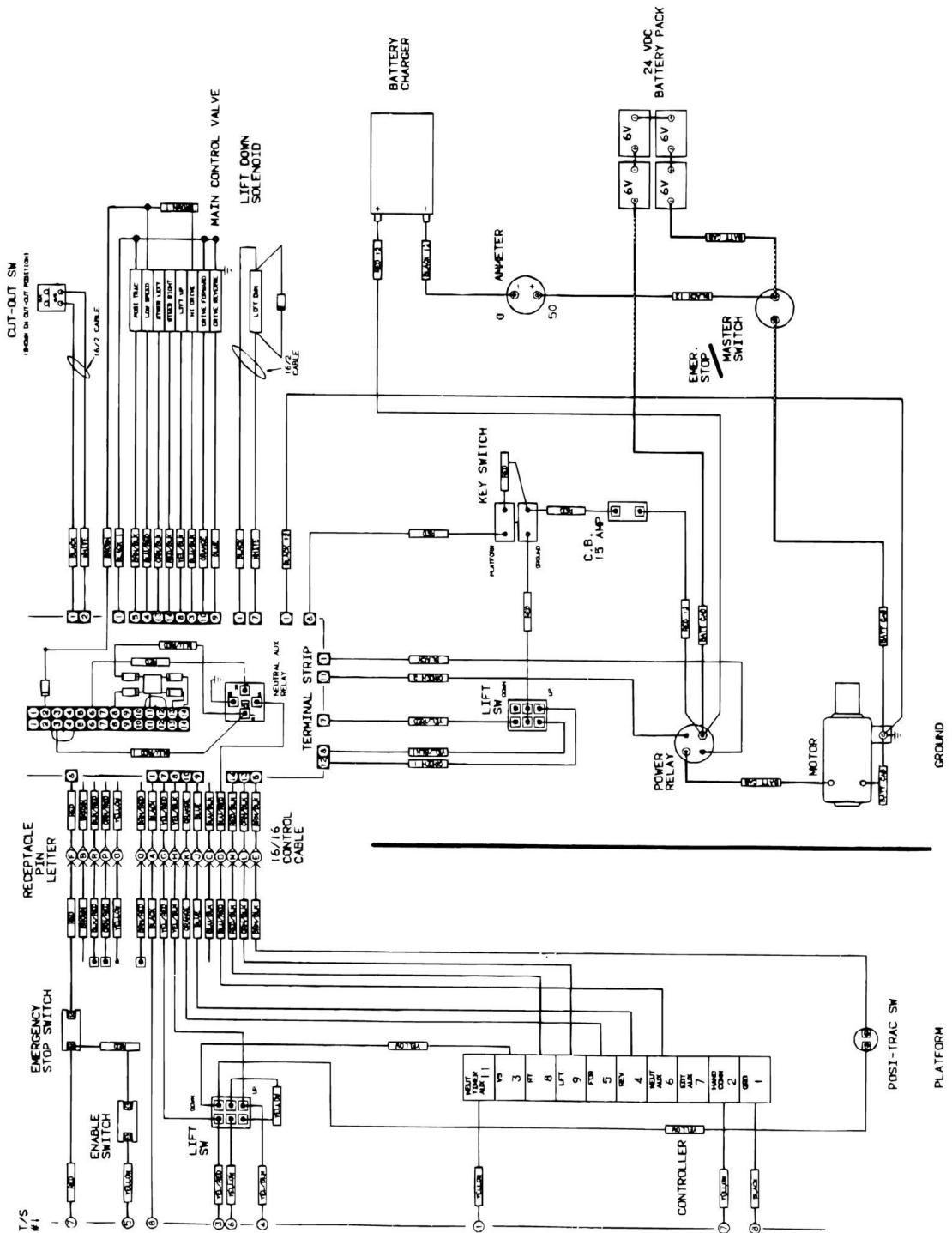


1281880 B



# SECTION 7 - 7 ELECTRICAL

## FIGURE 7-4. ELECTRICAL DIAGRAM - PQ CONTROLLER PROPORTIONAL DRIVE

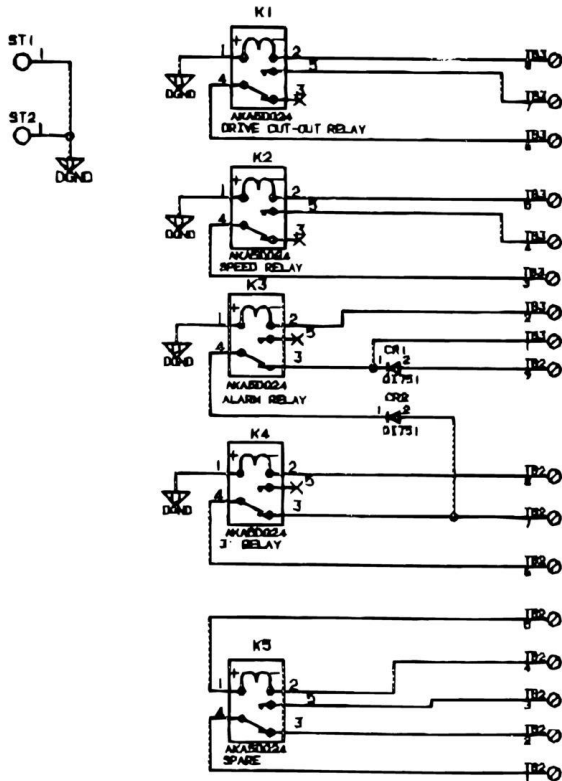
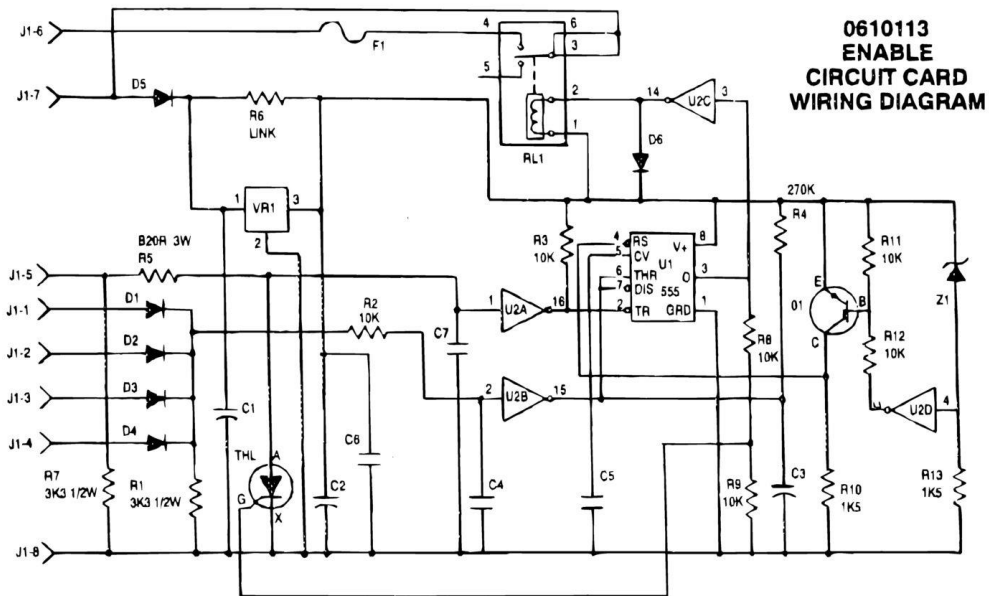


1281881 D



# SECTION 7 - 7 ELECTRICAL

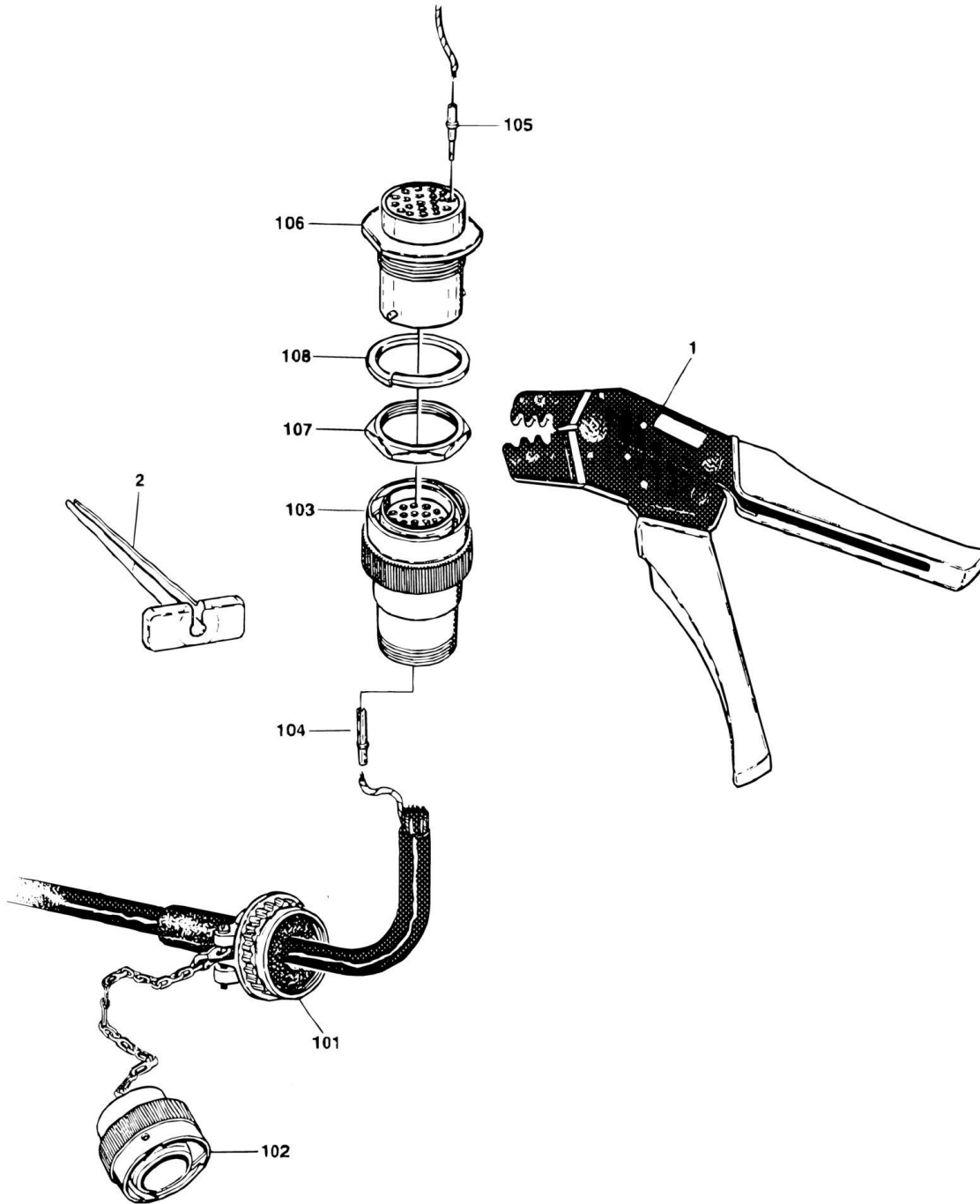
## FIGURE 7-5. ELECTRICAL DIAGRAM - CIRCUIT CARDS





# SECTION 7 - 7 ELECTRICAL

## FIGURE 7-6. MAIN ELECTRICAL CONNECTOR AND TOOLS



## SECTION 7 - 7 ELECTRICAL

**FIGURE 7-6. MAIN ELECTRICAL CONNECTOR AND TOOLS**

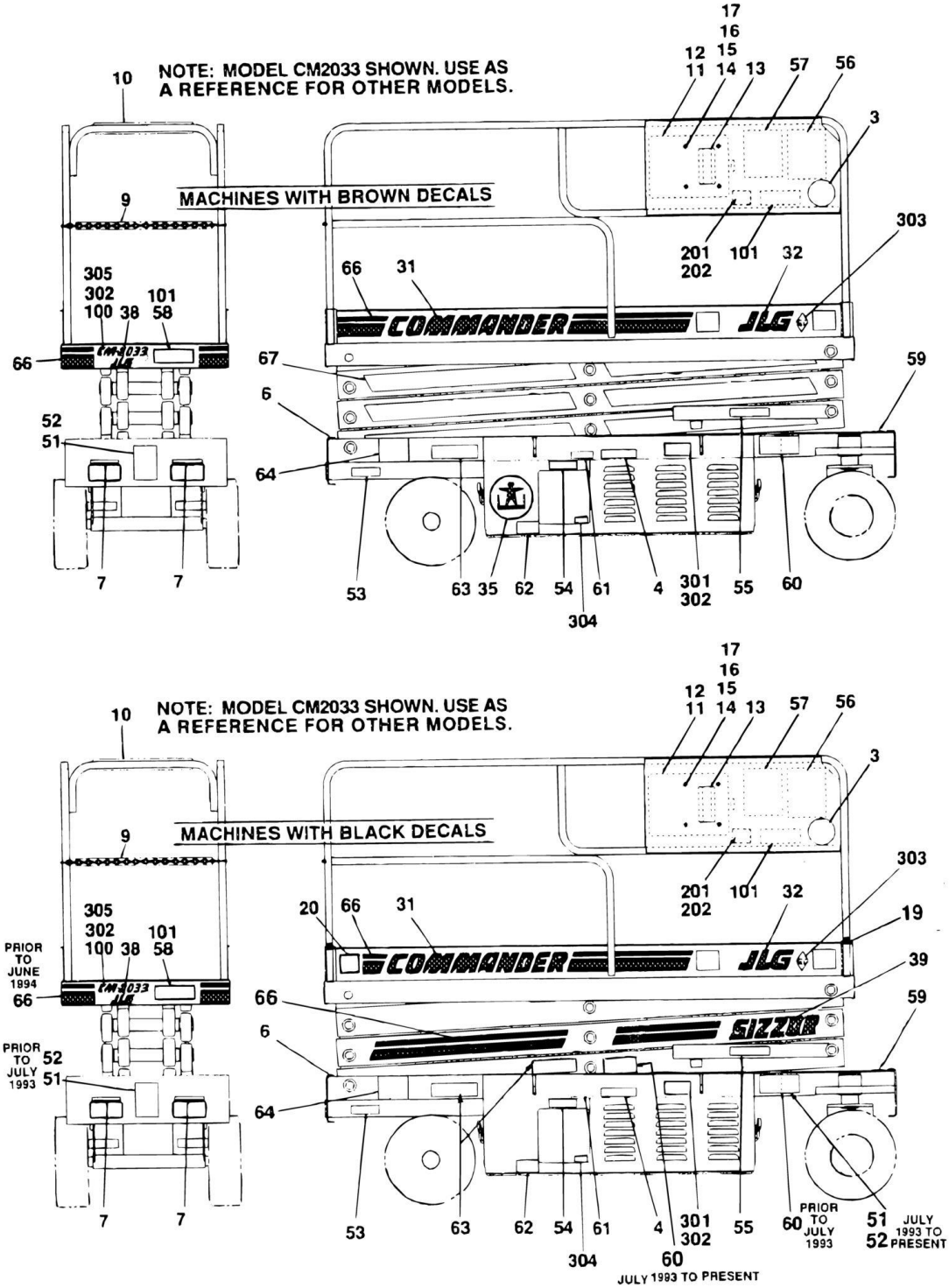
ITEM	PART NUMBER	QTY	DESCRIPTION	REV
		Ref	<b>MAIN ELECTRICAL CONNECTOR AND TOOLS</b>	
		Ref	<b>Tools:</b>	
1	7002818	1	Crimper (For Wire to Pin/Socket Connections)	
2	4460467	1	Extractor (For Removal of Pins/Socket from Connectors)	
		Ref	<b>Connector Components:</b>	
101	4460473	1	Clamp, Cable	
102	4460468	1	Cap, Dust	
103	4460462	1	Plug, Connector - 23 Pin (Female)	
104	4460465	AR	Socket, Female	
105	4460464	AR	Pin, Male	
106	4460463	1	Receptacle, Connector - 23 Pin (Male)	
107	4460470	1	Nut, Receptacle	
108	4460471	1	Lockwasher, Receptacle	



**SECTION 8 - 8 DECALS**

# SECTION 8 - 8 DECALS

## FIGURE 8-1. DECALS INSTALLATION - DOMESTIC



## SECTION 8 - 8 DECALS

### FIGURE 8-1. DECALS INSTALLATION - DOMESTIC

ITEM	PART NUMBER	QTY	DESCRIPTION	REV
		Ref	<b>DECALS INSTALLATION - DOMESTIC</b>	
	1281456	Ref	<b>DECALS INSTALLATION - (PRIOR TO AUGUST 1991) (COMMON PARTS - STANDARD)</b>	D
	1281604	Ref	<b>DECALS INSTALLATION - (AUGUST 1991 TO PRESENT) (COMMON PARTS - STANDARD)</b>	N
3	3251813	1	Decal - USA	
4	1700195	1	Decal - Hydraulic Fluid (Prior to August 1991)	
4	1701504	1	Decal - Hydraulic Fluid (August 1991 to Present)	
6	4420039	2 ft/.61m	Tape, Safety Tread	
7	1701404	2	Decal - Fork Lift Area (Prior to August 1991)	
7	1701508	2	Decal - Fork Lift Area (August 1991 to Present)	
9	2820024	2 ft/.61m	Tubing, Vinyl	
10	3340612	2 ft/.61m	Pad, Bumper	
11	0860520	1	Box, Manual Storage	
12	1060279	1	Cable, Lanyard	
13	1700157	1	Decal - Manual (Prior to August 1991)	
13	1701509	1	Decal - Manual (August 1991 to Present)	
14	0641405	4	Bolt 1/4in-20NC x 5/8in	
15	4751400	4	Flatwasher 1/4in	
16	4761400	4	Lockwasher 1/4in	
17	3311401	4	Nut 1/4in-20NC	
19	0840035	4	Boot, Handrail (March 1994 to Present Only)	
20	1702631	1	Decal - Bar Code (August 1995 to Present)	
	1281456	Ref	<b>DECALS INSTALLATION - BROWN (PRIOR TO AUGUST 1991) (COMMON PARTS - VARIABLE)</b>	D
	1281604	Ref	<b>DECALS INSTALLATION - BROWN (AUGUST 1991 TO PRESENT) (COMMON PARTS - VARIABLE)</b>	N
31	1701069	2	Decal - Commander (Brown)	
32	1701110	3	Decal - JLG (Brown)	
35	1701408	2	Decal - Logo (Brown)	
38	1701409	1	Decal - JLG (Brown)	
39	Not Required	0	Not Required	
	2900809	1	Decal Kit - Brown (Includes Items With 3, 4, 7, 13, 31, 32, 35, & 38)	
	1281604	Ref	<b>DECALS INSTALLATION - BLACK (COMMON PARTS - VARIABLE)</b>	N
31	1702011	2	Decal - Commander (Black) (April 1993 to Present)	
31	1701613	2	Decal - Commander (Black) (Prior to April 1993)	
32	1702009	3	Decal - JLG (Black) (April 1993 to Present)	
32	1701435	3	Decal - JLG (Black) (Prior to April 1993)	
35	Not Required	0	Not Required	
38	1702010	1	Decal - JLG (Black) (April 1993 to Present)	
38	1701612	1	Decal - JLG (Black) (Prior to April 1993)	
39	1702029	2	Decal - Sizzor (Black) (April 1993 to Present Only)	
	2900810	1	Decal Kit - Black (Includes Items With 3, 4, 7, 13, 31, 32, 38 & 39)	
	1281604	Ref	<b>DECALS INSTALLATION (STANDARD PARTS)</b>	N
51	Consult Factory	1	Nameplate, Serial Number	
52	3820014	4	Rivet 1/8in x 5/16in	
53	1701071	1	Decal - Brake Release	
54	1701122	1	Decal - Ground Control	

## SECTION 8 - 8 DECALS

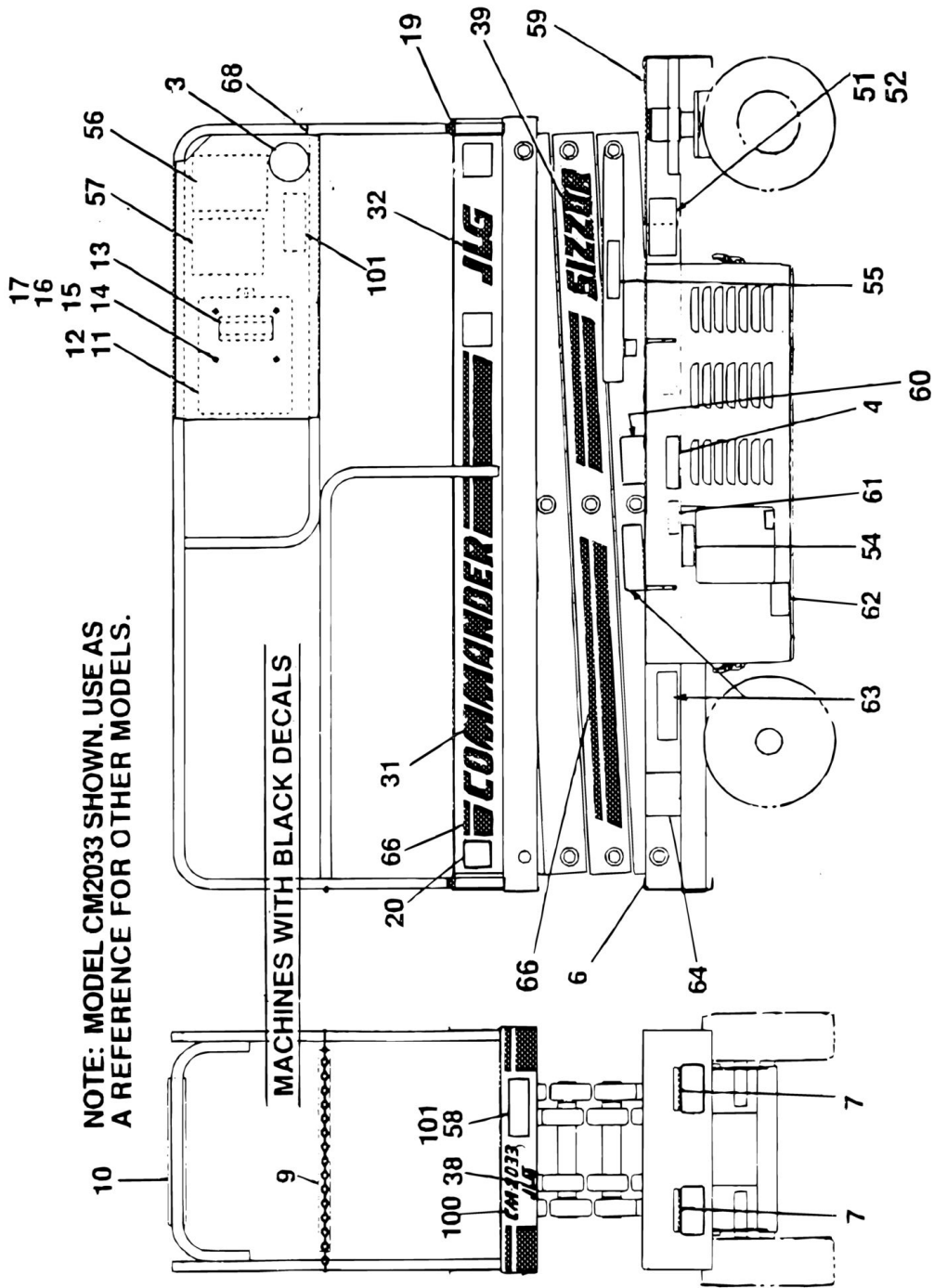
ITEM	PART NUMBER	QTY	DESCRIPTION	REV
55	1700713	1	Decal - Safety Prop	
56	3252061	1	Decal - Caution	
57	3251308	1	Nameplate	
58	3820011	4	Rivet 1/8in x 1/8in	
59	1701437	1	Decal - Manual Lowering	
60	1701250	2	Decal - Danger (Crushing Hazard)	
61	1700719	2	Decal - Danger (Battery Compartment)	
62	1701411	1	Decal - Warning (Battery Charger)	
63	3250873	2	Nameplate - Danger (Electrocution)	
64	1700593	1	Decal - Inspection	
66	1700431	AR	Decal - Brown/Orange Stripe (Machines With Brown Decals)	
66	1701334	AR	Decal - Black Stripe (Machines With Black Decals Built Prior to April 1993)	
66	1702015	AR	Decals - Black Stripe (Machines with Black Decals Built April 1993 to Present)	
67	1701310	AR	Decal - Orange Stripe (Machines With Brown Decal Only)	
		Ref	<b>DECALS INSTALLATION (CM2033)</b>	
100	1701403	2	Decal - Model (Brown) (CM2033)	
100	1701607	2	Decal - Model (Black) (Prior to April 1993) (CM2033)	
100	1702018	2	Decal - Model (Black) (April 1993 to Present) (CM2033)	
101	3252045	2	Decal - Work Load (Standard) (CM2033)	
101	3252127	2	Decal - Work Load (Ford Spec) (CM2033)	
101	3252433	2	Decal - Work Load (Hydraulic Extended Platform) (CM2033)	
		Ref	<b>DECALS INSTALLATION (CM2046)</b>	
100	1701405	2	Decal - Model (Brown) (CM2046)	
100	1701608	2	Decal - Model (Black) (Prior to April 1993) (CM2046)	
100	1702019	2	Decal - Model (Black) (April 1993 to Present) (CM2046)	
101	3252059	2	Decal - Work Load (Standard) (CM2046)	
101	3252045	2	Decal - Work Load (4Ft Hydraulically Extended Platform) (CM2046)	
101	3252466	2	Decal - Work Load (6Ft Hydraulically Extended Platform) (CM2046)	
		Ref	<b>DECALS INSTALLATION (CM2546)</b>	
100	1701406	2	Decal - Model (Brown) (CM2546)	
100	1701609	2	Decal - Model (Black) (Prior to April 1993) (CM2546)	
100	1702020	2	Decal - Model (Black) (April 1993 to Present) (CM2546)	
101	3252045	2	Decal - Work Load (Standard) (CM2546)	
101	3252433	2	Decal - Work Load (Hydraulically Extended Platform) (CM2546)	
		Ref	<b>DECAL INSTALLATION (CM2558)</b>	
100	1701407	2	Decal - Model (Brown) (CM2558)	
100	1701610	2	Decal - Model (Black) (Prior to April 1993) (CM2558)	
100	1702021	2	Decal - Model (Black) (April 1993 to Present) (CM2558)	
101	3252059	2	Decal - Work Load (Standard) (CM2558)	
	3252433	2	Decal - Work Load (Hydraulically Extended Platform) (CM2558)	
	0252972	Ref	<b>CSA NAMEPLATE INSTALLATION</b>	-
201	3252191	1	Nameplate - CSA	
202	3820011	4	Rivet	
	0253760	Ref	<b>U/L NAMEPLATE INSTALLATION</b>	A
301	3251503	2	Nameplate - Battery Info	
302	3820014	12	Rivet	
303	3251899	2	Nameplate - EE	
304	3251960	1	Nameplate - Fuse	

## SECTION 8 - 8 DECALS

ITEM	PART NUMBER	QTY	DESCRIPTION	REV
305	3251921	1	Nameplate - U/L (Prior to July 1995)	
305	3252474	1	Nameplate - U/L (July 1995 to Present)	

# SECTION 8 - 8 DECALS

## FIGURE 8-2. DECALS INSTALLATION - LATIN AMERICAN



## SECTION 8 - 8 DECALS

### FIGURE 8-2. DECALS INSTALLATION - LATIN AMERICAN

ITEM	PART NUMBER	QTY	DESCRIPTION	REV
		Ref	<b>DECALS INSTALLATION - LATIN AMERICAN</b>	
	1281604	Ref	<b>DECALS INSTALLATION - (AUGUST 1991 TO PRESENT) (COMMON PARTS - STANDARD)</b>	N
3	3251813	1	Decal - USA	
4	1701504	1	Decal - Hydraulic Fluid	
6	4420039	2 ft/.61m	Tape, Safety Tread	
7	1701508	2	Decal - Fork Lift Area	
9	2820024	2 ft/.61m	Tubing, Vinyl	
10	3340612	2 ft/.61m	Pad, Bumper	
11	0860520	1	Box, Manual Storage	
12	1060279	1	Cable, Lanyard	
13	1701509	1	Decal - Manual	
14	0641405	4	Bolt 1/4in-20NC x 5/8in	
15	4751400	4	Flatwasher 1/4in	
16	4761400	4	Lockwasher 1/4in	
17	3311401	4	Nut 1/4in-20NC	
19	0840035	4	Boot, Handrail (March 1994 to Present Only)	
20	1702631	1	Decal - Bar Code (August 1995 to Present)	
	1281604	Ref	<b>DECALS INSTALLATION - BLACK (COMMON PARTS - VARIABLE)</b>	N
31	1702011	2	Decal - Commander (Black) (April 1993 to Present)	
31	1701613	2	Decal - Commander (Black) (Prior to April 1993)	
32	1701435	3	Decal - JLG (Black)	
35	Not Required	0	Not Required	
38	1702010	1	Decal - JLG (Black)	
39	1702029	2	Decal - Sizzor (Black)	
	2900810	1	Decal Kit - Black (Includes Items With 3, 4, 7, 13, 31, 38 & 39)	
	1281604	Ref	<b>DECALS INSTALLATION (STANDARD PARTS)</b>	N
51	Consult Factory	1	Nameplate, Serial Number	
52	3820014	4	Rivet 1/8in x 5/16in	
54	1701858	1	Decal - Ground Control	
55	1701856	1	Decal - Safety Prop	
56	3252555	1	Decal - Caution	
57	3252556	1	Nameplate	
58	3820011	16	Rivet 1/8in x 1/8in	
59	1701510	1	Decal - Manual Lowering	
60	1702559	2	Decal - Danger (Crushing Hazard)	
61	1702560	2	Decal - Danger (Battery Compartment)	
62	1702553	1	Decal - Warning (Battery Charger)	
63	1702554	2	Nameplate - Danger (Electrocution)	
64	1702552	1	Decal - Inspection	
66	1702015	AR	Decal - Stripe	
68	3252454	1	Nameplate - Platform Extension Capacity	
	0255599	Ref	<b>DECALS INSTALLATION (CM2033)</b>	-
100	1702018	2	Decal - Model (CM2033)	
101	3252450	2	Decal - Work Load (CM2033)	
	0255600	Ref	<b>DECAL INSTALLATION (CM2046)</b>	A
100	1702019	2	Decal - Model (CM2046)	
101	3252451	2	Decal - Work Load (CM2046)	
	0255601	Ref	<b>DECALS INSTALLATION (CM2546)</b>	-

## SECTION 8 - 8 DECALS

ITEM	PART NUMBER	QTY	DESCRIPTION	REV
100	1702020	2	Decal - Model (CM2546)	-
	3252450	2	Decal - Work Load (CM2546)	
	0255602	Ref	<b>DECALS INSTALLATION (CM2558)</b>	
100	1702021	2	Decal - Model (CM2558)	
	3252451	2	Decal - Work Load (CM2558)	

## **SECTION 9 - RECOMMENDED SERVICE PARTS STOCK**

## **SECTION 9 - RECOMMENDED SERVICE PARTS STOCK**

# SECTION 9 - RECOMMENDED SERVICE PARTS STOCK

## FIGURE 9-1. STANDARD PARTS

ITEM	PART NUMBER	QTY	DESCRIPTION	REV
	Note	Ref	<b>Note: The following one year list will service each Sizzor (built to current production as of printing date) with the most commonly used parts. For further information , contact the nearest JLG Representative center listed on the front cover.</b>	
		Ref	<b>STANDARD</b>	
	0961615	4	Bushing, Bronze	
	0961931	2	Bushing, Fiberglide	
	2900699	2	Seal Kit - Drive Motor	
	2900778	2	Bearing Kit - Rear Axle	
	4360057	1	Limit Switch	
	3740069	4	Relay	
	7010639	2	Brush Set	
	7010944	1	Flex Coupling Kit	
	4360202	1	Switch, Toggle	
	4360290	1	Switch, Key	
	4360267	1	Block, Contact	
	4360281	1	Block, Contact	
	4360070	1	Breaker, Circuit	
	4360155	1	Switch, Master	
	2120072	4	Element, Filter	
	1340052	1	Breather, Air	
	7012726	1	Coil - Rexroth	
	7012732	1	Coil - Rexroth	
	7012725	2	Seal Kit - Rexroth Valve	
	7012900	1	Coil - 20 Volt	
	7012930	1	Check Valve Cartridge	
	7010544	1	Flow Control Valve Cartridge	
	7012933	1	Needle Valve Cartridge	
	7004361	1	Load Control Valve Cartridge	
	7012934	1	Sequence Valve Cartridge	
	7012931	1	Relief Valve Cartridge	
	7012932	1	Relief Valve Cartridge	
	7012920	1	Solenoid Valve Cartridge	
	7012919	1	Solenoid Valve Cartridge	
	7012929	1	Flow Divider Valve Cartridge	
	7011508	1	Fuse - 15 Amp	
	7011509	1	Breaker, Circuit	
	7011518	1	Controller	
	0961481	40	Bushing, Bronze	
	4360339	1	Switch, Push Button	
	4360289	1	Switch, Push/Pull	
	4360318	1	Switch, Toggle	
	4360274	1	Switch, Push Button	
	2901160	2	Seal Kit - Brake	
	1060377	1	Cable, Pull	
	4640381	1	Solenoid Holding Cartridge	
	4640717	1	Pull Control Cartridge	
	0961520	1	Bushing, Bronze - Lift Cylinder Rod	
	0961519	1	Bushing, Bronze - Lift Cylinder Barrel	

## SECTION 9 - RECOMMENDED SERVICE PARTS STOCK

ITEM	PART NUMBER	QTY	DESCRIPTION	REV
	2901178	1	Seal Kit - Steer Cylinder	
	3990010	3	Diode - 6 Amp	

## SECTION 9 - RECOMMENDED SERVICE PARTS STOCK

FIGURE 9-2. VARIABLE PARTS

ITEM	PART NUMBER	QTY	DESCRIPTION	REV
	Note	Ref	<b>Note: The following one year list will service each Sizzor (built to current production as of printing date) with the most commonly used parts. For further information , contact the nearest JLG Representative center listed on the front cover.</b>	
		Ref	<b>VARIABLE</b>	
	4360300	1	Limit Switch (CM2046,CM2558)	
	4360300	1	Limit Switch (With Optional Tires) (CM2033,CM2546)	
	4360171	1	Tilt Sensor (Optional)	
	7010511	1	Load Sensing Valve Cartridge (Proportional Drive)	
	7012935	1	Check Valve Cartridge (Proportional Drive)	
	7012308	1	Coil (Proportional Drive)	
	7012311	1	Seal Kit (Proportional Drive)	
	7012956	1	Solenoid Valve Cartridge (Hydraulically Extended Deck)	
	7012957	1	Solenoid Valve Cartridge (Hydraulically Extended Deck)	
	7012921	1	Check Valve Cartridge (Hydraulically Extended Deck)	
	7012912	1	Relief Valve Cartridge (Hydraulically Extended Deck)	
	7010540	1	Relief Valve Cartridge (Hydraulically Extended Deck)	
	4360328	1	Switch, Toggle (Toggle Switch Drive)	
	4360314	1	Switch, Toggle (Toggle Switch Drive)	
	4360345	1	Switch, Toggle (Toggle Switch Drive - 2SPD)	
	4360355	1	Switch, Toggle (Toggle Switch Drive - 3SPD)	
	1600156	1	PQ Controller (PQ Bang-Bang Drive)	
	1600160	1	PQ Controller (PQ Proportional Drive)	
	2901165	1	Seal Kit - Lift Cylinder (CM2033,CM2046)	
	2901158	1	Seal Kit - Lift Cylinder (CM2546,CM2558)	
	7001608	1	Seal Kit - Platform Extension (Hydraulically Extended Deck Option)	

## **SECTION 9 - RECOMMENDED SERVICE PARTS STOCK**

### **PART NUMBER INDEX**

## SECTION 9 - RECOMMENDED SERVICE PARTS STOCK

0080190.....97	0251759..... 65	0253491 ..... 21, 90, 115	0610113.....89, 115
0100009.....90	0251760..... 22, 114	0253499 ..... 90, 114	0630305.....7
0100011.....7, 93, 98, 108, 112	0251761..... 21, 114	0253504 ..... 65, 115	0630440..... 15
0100019.....78, 79, 81, 82	0251762..... 21, 114	0253505 ..... 66, 116	0641404.....89
0100020.....26, 98	0251778..... 65	0253506 ..... 66, 116	0641405..... 133, 137
0100035.....85, 89, 93, 98, 103	0251779..... 65	0253507 ..... 66, 116	0641406....25, 27, 44, 73, 75, 81
0100038.....98	0251780..... 65	0253536 ..... 73	0641407.....21, 22, 25
0100048.....26	0251781..... 65	0253544 ..... 66	0641408....43, 64, 70, 73, 79, 82
0140011.....86, 90, 119	0251788..... 44, 86, 115	0253548 ..... 90	0641409.....79, 82
0140022.....44, 115	0251821..... 59	0253621 ..... 50	0641414.....65
0140025.....22	0251870..... 114	0253760 ..... 134	0641416.....75, 79, 82
0140033.....22, 114	0252097..... 21, 115	0253814 ..... 115	0641422.....82
0181583.....43	0252111..... 19	0254029 ..... 115	0641424....63, 69, 79, 82
0181593.....25	0252219..... 8	0254128 ..... 22	0641432.....26
0181636.....26	0252274..... 22, 114	0254247 ..... 43	0641506....28, 55, 56, 59, 60, 97
0181684.....73, 75	0252307..... 49	0254249 ..... 51	0641508.....26, 28, 73
0181722.....43	0252308..... 49	0254259 ..... 51	0641509.....56, 60
0200416.....55, 59	0252309..... 49	0254267 ..... 22, 114	0641510.....75
0200417.....55, 59	0252311..... 21, 119	0254268 ..... 21, 114	0641516....25, 55, 73, 75
0200418.....55	0252315..... 50	0254268 ..... 21, 114	0641522.....55, 59
0200420.....55, 59	0252420..... 86	0254285 ..... 21, 114	0641606.....77
0200421.....55, 59	0252422..... 27	0254287 ..... 21, 114	0641608.....26
0200422.....55, 59	0252423..... 27	0254288 ..... 21, 114	0641609.....25
0200423.....59	0252426..... 26	0254289 ..... 22, 114	0641610.....22
0200424.....59	0252586..... 56	0254378 ..... 65	0641612.....7, 15
0200508.....55, 59	0252587..... 60	0254379 ..... 65	0641614.....15, 77, 81
0200527.....55	0252593..... 49	0254794 ..... 77	0641618.....7
0200528.....55	0252594..... 49	0254797 ..... 79	0641620.....15
0233546.....22	0252595..... 49	0254811 ..... 28	0641624.....15, 19
0239707.....115	0252596..... 51	0254838 ..... 55	0641814.....8, 9, 10, 11
0244248.....43	0252597..... 51	0254868 ..... 77	0641816.....8
0250305.....115	0252598..... 50	0254957 ..... 78	0670547.....21
0250464.....22	0252608..... 50	0254958 ..... 78	0720803.....85, 86
0251102.....7	0252659..... 85	0254973 ..... 79	0721004.....64
0251105.....55	0252676..... 69	0255021 ..... 8	0750806.....49
0251106.....59	0252677..... 70	0255022 ..... 9	0751006.....85
0251118.....15	0252678..... 70	0255023 ..... 10	0840025.....43, 50
0251202.....73	0252679..... 70	0255024 ..... 10	0840027.....22
0251212.....28	0252680..... 69	0255054 ..... 78	0840031.....43, 50
0251249.....73	0252681..... 69	0255055 ..... 78	0840032.....50
0251250.....73	0252681..... 69	0255063 ..... 79	0840035.....133, 137
0251303.....63	0252689..... 27, 37	0255157 ..... 82	0860038.....64
0251304.....63	0252700..... 19	0255161 ..... 81	0860520.....133, 137
0251304.....63	0252701..... 8	0255162 ..... 81	0860626.....49
0251320.....26	0252702..... 10	0255162 ..... 81	0860747.....49
0251338.....21	0252714..... 65	0255228 ..... 78	0860748.....49
0251347.....44	0252715..... 65	0255229 ..... 78	0860784.....89
0251352.....43	0252716..... 65	0255599 ..... 137	0901546.....22, 65
0251353.....43	0252768..... 85	0255600 ..... 137	0901728.....26
0251354.....43	0252769..... 86	0255601 ..... 137	0901757.....97
0251371.....27	0252853..... 22	0255602 ..... 138	0901786.....21
0251380.....15	0252972..... 134	0255702 ..... 103	0901859.....89
0251381.....16	0253094..... 9	0255703 ..... 115	0902053.....28
0251383.....8	0253098..... 89	0280120 ..... 15, 19	0960238.....49, 85
0251384.....9	0253100..... 89	0280121 ..... 15, 19	0960239.....50, 86, 114
0251389.....10	0253383..... 75	0280122 ..... 15, 19	0960407.....64
0251390.....28	0253391..... 75	0361912 ..... 73, 75	0961378.....25
0251392.....64	0253392..... 75	0361928 ..... 7	0961481.....55, 59, 140
0251393.....64	0253400..... 89	0362420 ..... 77, 81	0961482.....7
0251394.....64	0253403..... 90	0400055 ..... 43	0961519.....98, 99, 140
0251395.....64	0253404..... 90	0400069 ..... 43	0961520.....97, 98, 140
0251500.....27	0253408..... 90	0400087 ..... 44, 47, 51	0961615.....7, 140
0251505.....85	0253465..... 44, 90, 115	0400107 ..... 43	0961626.....7
0251513.....85	0253476..... 65, 114	0400108 ..... 51	0961906.....79, 82
0251724.....86, 119	0253477..... 65, 114	0400112 ..... 43	
0251758.....86, 114	0253478..... 65, 114	0610101 ..... 89, 115	
	0253479..... 65, 114	0610105 ..... 90, 115	
	0253485..... 90, 119	0610110 ..... 89, 90	

## SECTION 9 - RECOMMENDED SERVICE PARTS STOCK

0961931	8, 9, 10, 11, 140	1281951	115	1701110	133	2220399	111
1060045	22	1281952	65, 114	1701122	133	2220414	103
1060054	43, 44	1282216	77, 81	1701250	134	2220490	107, 111
1060080	43, 50	1282224	115	1701310	134	2220493	107, 111
1060084	50	1282310	115	1701334	134	2220512	107, 111
1060103	50	1320021	21	1701403	134	2220593	107, 111
1060130	43	1320030	108, 112	1701404	133	2220600	107, 111
1060149	43, 44, 51	1320052	55, 59	1701405	134	2220603	107, 111
1060171	119	1320061	21, 55, 59, 64, 77, 81	1701406	134	2220618	107, 111
1060180	50			1701407	134	2220620	107, 111
1060182	50	1320159	25	1701408	133	2220740	111
1060221	43	1320178	26	1701409	133	2220773	107, 111
1060279	133, 137	1320185	25	1701411	134	2220847	107, 111
1060300	21, 119	1320202	79, 82	1701435	133, 137	2220848	107, 111
1060306	116	1340052	26, 140	1701437	134	2220849	107, 111
1060308	51, 64	1360227	7, 8	1701504	133, 137	2220850	108, 112
1060325	116	1360229	8, 9	1701508	133, 137	2220851	108, 112
1060330	119	1360230	10	1701509	133, 137	2220852	107, 111
1060331	115	1360231	15	1701510	137	2251777	65
1060341	21, 22, 114, 115, 116, 117, 118	1360261	8	1701607	134	2251874	111
1060364	43	1360262	9, 10	1701608	134	2360323	7
1060377	97, 140	1360263	11	1701609	134	2360327	7
1060379	28, 82	1440224	55, 59	1701610	134	2360328	7
1060380	50, 89	1600132	85, 86	1701612	133	2360342	7
1060400	43, 51	1600143	86	1701613	133, 137	2360343	7
1060401	51	1600156	90, 142	1701827	89	2360346	7
1060426	50	1600160	90, 142	1701856	137	2360354	7
1060427	50	1670547	119	1701858	137	2360355	7
1060560	22	1681283	97	1702009	133	2360356	7
1120083	93	1681423	98	1702010	133, 137	2360359	7
1120108	97	1682264	98	1702011	133, 137	2360362	7
1120305	98	1682266	98	1702015	134, 137	2400021	86, 90
1120361	26	1682277	95	1702018	134, 137	2400025	49
1120387	103	1682288	97	1702019	134, 137	2400026	86, 90
1120417	8	1682301	98	1702020	134, 138	2400027	49
1120418	9, 10, 11	1682302	98	1702021	134, 138	2420106	86, 90, 114
1260017	69, 75	1682364	103	1702029	133, 137	2420116	26
1260136	63, 69, 79, 82	1682379	103	1702366	77, 81	2460022	22
1281415	73	1682380	103	1702370	77, 81	2540002	49, 55, 59
1281456	133	1682382	103	1702552	137	2540015	21
1281464	43	1682417	98	1702553	137	2560003	27
1281465	107	1682445	15, 93	1702554	137	2560088	73, 75
1281557	116	1682446	93	1702559	137	2700056	69
1281558	117	1682448	93	1702560	137	2720286	107, 111
1281570	114	1682449	93	1702631	133, 137	2750779	107, 111
1281573	64	1682501	98	2120072	26, 140	2750889	107
1281583	59	1682502	98	2120105	26	2750970	107, 111
1281604	133, 137	1682503	99	2120148	26	2751002	107, 111
1281617	75	1682504	99	2160002	97	2751459	107, 111
1281645	115	1682664	25	2160006	8, 9, 10, 11	2751523	107, 111
1281668	117	1682994	103	2180421	103	2751524	107, 111
1281669	117	1682996	7, 103	2180422	25	2751526	107, 111
1281703	49	1682997	7, 103	2180448	103	2751529	107, 111
1281760	111	1683098	19, 95	2180699	25	2751531	107, 111
1281761	50	1683199	78, 82, 101	2180764	98, 99	2751874	107
1281765	118	1683204	77, 78, 81, 101	2180803	103	2752168	107, 111
1281780	118	1683408	7, 103	2180804	103	2780165	7
1281874	119	1700157	133	2180805	103	2791767	108
1281879	116	1700195	133	2200221	97, 98	2791768	108
1281880	117	1700431	134	2210008	107, 111	2791912	112
1281881	118	1700593	134	2210023	107, 111	2791913	112
1281891	117	1700598	64	2220237	111	2820024	133, 137
1281892	117	1700599	64	2220343	97, 98	2820025	55, 59
1281893	118	1700713	134	2220362	107, 111	2900502	31, 32
1281949	119	1700719	134	2220371	107	2900503	31, 32, 97
1281950	115	1701069	133	2220385	107, 111	2900696	32
		1701071	133	2220386	107, 111	2900697	37

## SECTION 9 - RECOMMENDED SERVICE PARTS STOCK

2900698.....	31	3252194.....	90	3422219.....	79, 82	3534743.....	64
2900699.....	13, 140	3252196.....	89	3422368.....	55	3534818.....	15
2900706.....	31, 35, 37	3252253.....	89	3422369.....	79, 82	3534838.....	85
2900707.....	32, 35, 37	3252433.....	134	3430416.....	69, 75	3535337.....	70
2900708.....	32, 35, 37	3252450.....	137, 138	3430612.....	7	3535492.....	70
2900735.....	37	3252451.....	137, 138	3430616.....	19	3535575.....	49
2900756.....	31, 35, 37, 97	3252454.....	137	3431220.....	77, 81	3535590.....	49
2900778.....	15, 19, 140	3252466.....	134	3440413.....	73, 75	3535594.....	21
2900780.....	50	3252474.....	135	3440616.....	21	3537284.....	27
2900809.....	133	3252555.....	137	3440824.....	15	3537285.....	26, 27
2900810.....	133, 137	3252556.....	137	3450203.....	69, 75	3538042.....	79, 82
2901158.....	98, 142	3300047.....	49, 86, 114	3450304.....	19	3538217.....	79, 82
2901160.....	140	3300048.....	49, 85	3450404.....	7	3538344.....	77, 81
2901165.....	98, 142	3300177.....	49, 85	3450405.....	97	3600148.....	25
2901178.....	103, 141	3300267.....	98, 99	3450406.....	7, 77, 81	3600184.....	25, 26
2901187.....	93	3300272.....	93	3480143.....	98	3640713.....	64
2901202.....	107	3300281.....	98, 99	3480147.....	97	3640727.....	63
2901203.....	107	3300373.....	63, 69, 82	3480153.....	103	3640728.....	63
2901207.....	49	3300374.....	79, 82	3480157.....	93	3640738.....	69
2901209.....	25	3300375.....	63, 69, 79, 82	3480163.....	25	3640740.....	69
2901239.....	107	3310601.....	85, 89	3510264.....	63	3640742.....	69
2901245.....	111	3310801.....	21	3510313.....	63	3640743.....	70
2901246.....	111	3311001.....	25, 50	3510314.....	63	3640744.....	70
2901247.....	111	3311005.....	77, 81	3510316.....	73	3640745.....	70
2901248.....	107	3311401.....	15, 21, 22, 25, 27, 63, 64, 69, 73, 75, 77, 79, 81, 133, 137	3510317.....	73	3640748.....	75
2901254.....	111	3311402.....	97	3510367.....	63	3640749.....	75
2901368.....	55	3311405.....	22, 43, 73, 75, 79, 82	3510368.....	63	3640753.....	69
2901375.....	55	3311501.....	21, 22, 26, 55, 59, 73, 75	3510369.....	63	3640761.....	70
2901376.....	59	3311505.....	28, 55, 56, 59, 65	3510370.....	63	3640796.....	63
2920026.....	77, 81, 86, 90, 119	3311601.....	15, 22, 25	3510391.....	75	3740068.....	25
2920087.....	22, 65, 114, 115	3311602.....	15	3510392.....	75	3740069.....	25, 50, 85, 86, 119, 140
2920088.....	66, 116	3311605.....	7, 8, 15, 19, 77, 81	3510396.....	73	3740073.....	49
2920092.....	65, 114, 115	3311801.....	8	3510403.....	63	3760141.....	103
2920093.....	66, 116	3312005.....	7, 8, 9, 10, 11	3510404.....	63	3760170.....	28, 82, 89, 97
2920094.....	77, 81, 86, 90, 119	3321402.....	97	3510416.....	63	3760274.....	66
2940061.....	73, 75	3322202.....	7, 15	3510417.....	63	3760379.....	9, 10, 11
2940062.....	28	3322205.....	77, 81	3510418.....	63	3780166.....	8
2940064.....	63, 79, 82	3340601.....	55, 59	3510419.....	75	3790012.....	77, 81, 85, 89
2940065.....	28	3340612.....	133, 137	3510420.....	63	3820001.....	73
2980113.....	73, 75	3340645.....	56, 60	3510462.....	77	3820011.....	134, 137
3010088.....	63, 69, 79, 82	3340710.....	77, 81	3510469.....	78, 81	3820014.....	133, 134, 137
3010099.....	15	3340711.....	77, 81	3510470.....	78	3820019.....	28
3020010.....	7	3340716.....	77, 81	3510484.....	78	3820020.....	28
3160155.....	9, 10, 11, 13	3340749.....	78, 79, 81, 82	3510485.....	78	3820030.....	77, 81
3160173.....	7, 8, 9, 13	3421453.....	79, 82, 89	3510487.....	81, 82	3841069.....	43
3250873.....	134	3421781.....	55, 59	3510489.....	73	3841074.....	73
3251308.....	134	3421782.....	55, 59	3510494.....	75	3841079.....	15
3251503.....	134	3421783.....	55, 59	3520026.....	90	3841094.....	43
3251813.....	133, 137	3421784.....	55, 59	3520071.....	22	3841127.....	97
3251852.....	73	3421785.....	55, 59	3520072.....	63, 69, 79, 82	3841129.....	19
3251860.....	85	3421786.....	55, 59	3520076.....	26	3841143.....	56, 60
3251899.....	134	3421789.....	56, 60	3533091.....	69, 70	3841169.....	19
3251921.....	135	3421790.....	55, 59	3533904.....	49	3841170.....	19
3251960.....	49, 134	3421795.....	55, 59	3534281.....	79	3841201.....	75
3252045.....	134	3421888.....	59	3534309.....	66	3860052.....	73, 75
3252054.....	26	3421889.....	59	3534467.....	26, 27	3900158.....	21
3252059.....	134	3421890.....	59	3534472.....	56, 60	3900170.....	93, 98, 99
3252061.....	134	3421891.....	98, 99	3534561.....	26	3900177.....	89
3252065.....	85	3421893.....	59	3534649.....	26, 27	3900178.....	90
3252067.....	85, 86	3421913.....	69, 75	3534650.....	27	3900184.....	63, 69, 79, 82
3252091.....	26	3422215.....	56, 60	3534651.....	27	3910608.....	85
3252127.....	134			3534682.....	63, 69	3911012.....	25, 50
3252136.....	73			3534699.....	25	3911016.....	25
3252143.....	50			3534740.....	64, 70	3911020.....	77, 81
3252191.....	134			3534741.....	64, 70	3911612.....	78, 79, 81, 82
				3534742.....	64	3930010.....	118

## SECTION 9 - RECOMMENDED SERVICE PARTS STOCK

3930832.....	21	4360322.....	77, 81	4600004.....	15	4844792.....	79
3941404.....	82	4360328.....	89, 142	4640128.....	112	4844793.....	79
3951404.....	98, 99	4360339.....	89, 140	4640381.....	97, 140	4844819.....	79, 82
3990010 ...	114, 115, 116, 117, 118, 141	4360345.....	89, 142	4640612.....	97	4844821.....	79, 82
4060092.....	65	4360355.....	89, 142	4640642.....	32	4844831.....	79
4060229.....	85	4400324.....	26	4640657.....	26, 27, 31	4844853.....	79
4060700.....	65	4420008.....	49, 85, 89	4640688.....	97	4844854.....	79
4060762.....	28	4420038.....	26	4640714.....	37	4844906.....	82
4060763.....	28	4420039.....	133, 137	4640717.....	97, 140	4844907.....	82
4060764.....	28	4420055.....	79, 82	4640733.....	26, 27, 35	4844908.....	82
4060771.....	28	4460007.....	119	4640736.....	37	4844909.....	82
4060772.....	28	4460025.....	51	4640737.....	31, 35	4844912.....	82
4060773.....	28	4460049.....	21, 86, 114	4640740.....	31, 35, 37	4844913.....	82
4060799.....	50	4460051.....	49, 64, 85	4640745.....	35, 37	4921306.....	116, 117
4060801.....	50	4460052.....	21, 49	4640802.....	50	4921308.....	117, 118
4060802.....	77, 81, 89	4460138.....	65	4640803.....	50	4921386.....	117
4060818.....	50	4460190.....	65	4640804.....	97	4921405.....	118
4060819.....	50	4460199.....	50	4640805.....	50	4921408.....	118
4060820.....	49	4460205.....	65	4640806.....	50	4921412.....	118
4060821.....	49	4460277 ...	116, 117, 118	4640870.....	28, 41	4921454.....	116, 117
4060825.....	49	4460328.....	49	4711400....	63, 69, 75, 79, 82	4921458.....	118
4060826.....	49	4460346.....	65	4711500.....	55, 59	4921478.....	117
4060856.....	22	4460347.....	65	4711600.....	7, 19, 77, 81	4921480.....	118
4070769.....	7	4460428.....	77, 81	4712200....	73, 75, 77, 81	4921482.....	118
4130238.....	7	4460462.....	129	4740066.....	73, 75, 89	4921516.....	116
4130241.....	8, 9	4460463.....	89, 129	4740120.....	49, 85, 90	4921519.....	116
4130242.....	10	4460464.....	129	4740155.....	55, 59	4921537.....	90
4130269.....	8	4460465.....	129	4740155.....	55, 59	4921556.....	115
4130284.....	10	4460467.....	129	4740234.....	79, 82	4921558.....	115
4130285.....	9	4460468.....	129	4740375.....	7, 8, 9, 10	4921709.....	115
4130321.....	8	4460470.....	89, 129	4740418.....	9, 10, 11	4932322.....	116
4130322.....	11	4460471.....	89, 129	4740419.....	8	4932331.....	117
4130323.....	9, 10	4460473.....	129	4750600.....	85	4932369.....	116
4160078.....	73, 75	4460490.....	50	4750800.....	21, 85, 86	4932371.....	117
4160096.....	15	4520128.....	11	4751000....	25, 27, 50, 64, 77, 81	4932426.....	117
4200010.....	82	4520165.....	11	4751400....	22, 25, 27, 43, 44, 65, 69, 77, 81, 82, 97, 133, 137	4932427.....	117
4220044.....	97	4520167.....	11	4751500....	21, 22, 25, 28, 55, 59, 73, 75, 82	4932428.....	117
4240017.....	77, 81	4564730.....	69	4751600.....	15, 22, 25	4932429.....	117
4240084.....	49	4564731.....	64, 70	4752000.....	7	4932464.....	118
4280284.....	82	4564732.....	64, 70	4760600.....	85	4932465.....	118
4280292.....	77, 81	4564885.....	98	4760800.....	21, 85, 86	4932475.....	118
4300031.....	77, 81	4564976.....	103	4761000....	21, 25, 50, 64	4932477.....	118
4300032.....	64	4564988.....	107, 111	4761400....	21, 22, 25, 27, 44, 63, 64, 69, 73, 75, 79, 81, 133, 137	4932517.....	116
4300038 ...	21, 22, 55, 59	4564989.....	107, 111	4761500....	21, 22, 25, 28, 55, 59, 73, 75, 97	4932518.....	116
4300041.....	22	4564990.....	107, 111	4761600.....	22, 25, 77	4932520.....	117
4300093.....	8	4564991.....	107, 111	4761800.....	7	4932521.....	117
4300095 ...	7, 8, 9, 10, 11	4564992.....	107, 111	4770600.....	89	4932523.....	118
4360056.....	21	4564993.....	107, 111	4771000.....	79	4932524.....	118
4360057.....	21, 140	4564994.....	107	4791400.....	89	4932524.....	118
4360070.....	26, 50, 140	4564995.....	107, 111	4843090.....	55, 59	4932553.....	117
4360092.....	85	4564996.....	107	4843509.....	22	4932554.....	117
4360155.....	26, 140	4564997.....	107	4843706.....	73, 75	4932555.....	118
4360171.....	21, 119, 142	4564998.....	107, 111	4843785.....	16	4932557.....	118
4360198.....	85	4565008.....	98	4843786.....	16	4932559.....	118
4360202 ...	26, 50, 77, 81, 85, 140	4565069.....	93	4843805.....	27	4932560.....	118
4360267 ..	26, 50, 89, 140	4565191.....	69	4843962.....	21	4932718.....	115
4360274 ...	85, 86, 89, 90, 115, 140	4565201.....	63	4844049.....	22	4932719.....	115
4360281.....	26, 50, 140	4565202.....	64	4844188.....	19	4932731.....	117
4360289.....	85, 89, 140	4565203.....	64	4844326.....	22	4932732.....	118
4360290.....	26, 50, 140	4565261.....	70	4844327.....	90	4932733.....	118
4360300.....	21, 115, 142	4565285.....	69			7000644.....	97
4360303.....	21, 119	4565598.....	70			7001084.....	101
4360314 ..	77, 81, 89, 142	4565599.....	70			7001092.....	95
4360318.....	89, 140	4565995.....	22			7001093.....	95
		4566036.....	111			7001094.....	95
		4566037.....	111			7001095.....	95
		4566038.....	111			7001096.....	95
						7001097.....	95

## SECTION 9 - RECOMMENDED SERVICE PARTS STOCK

7001098.....95	7009934 ..... 13	7010924 .....25	7012611.....89
7001099.....95	7009979 ..... 13	7010943 .....26	7012612.....89
7001608..... 101, 142	7009980 ..... 13	7010944 ..... 26, 140	7012613..... 15, 19
7001610..... 101	7009982 ..... 13	7010951 ..... 26	7012658.....89
7001613..... 101	7009983 ..... 13	7010952 ..... 26	7012725...31, 35, 37, 140
7001614..... 101	7010503 ..... 32	70111680 ..... 47	7012726...31, 35, 37, 140
7001618.....95	7010507 ..... 50, 97	7011502 ..... 47	7012727..... 31, 35, 37
7001621.....95	7010511 ..... 37, 142	7011506 ..... 47	7012732..... 35, 37, 140
7001622..... 101	7010517 ..... 97	7011507 ..... 47	7012900.... 31, 35, 37, 41, 140
7001623..... 101	7010534 ..... 31, 50	7011508 ..... 47, 140	7012901..... 31, 35, 37
7001624..... 101	7010536 ..... 32	7011509 ..... 47, 140	7012903..... 32, 35, 37
7002157..... 13	7010540 ..... 41, 142	7011512 ..... 47	7012904..... 32, 35, 37
7002818..... 129	7010541 ..... 35, 37, 41	7011513 ..... 47	7012912...35, 37, 41, 142
7004334.....97	7010543 ..... 41	7011515 ..... 47	7012919...32, 35, 37, 140
7004336.....25	7010544 ...31, 35, 37, 140	7011516 ..... 47	7012920...32, 35, 37, 140
7004337.....25	7010551 ..... 50, 97	7011517 ..... 47	7012921..... 41, 142
7004361 ...31, 35, 37, 140	7010561 ..... 31	7011518 ..... 47, 140	7012929...32, 35, 37, 140
7004370.....31	7010562 ..... 32	7011558 ..... 47	7012930...31, 35, 37, 140
7009744.....32	7010564 ..... 31	7011560 ..... 47	7012931...32, 35, 37, 140
7009905..... 13	7010565 ..... 31	7011576 ..... 47	7012932...32, 35, 37, 140
7009909..... 13	7010566 ..... 37	7011596 ..... 47	7012933...31, 35, 37, 140
7009912..... 13	7010567 ..... 31	7011653 ..... 47	7012934...32, 35, 37, 140
7009913..... 13	7010639 ..... 25, 26, 140	7011665 ..... 47	7012935..... 37, 142
7009922..... 13	7010640 ..... 25, 26	7012308 ..... 38, 142	7012956..... 41, 142
7009925..... 13	7010641 ..... 15, 19	7012311 ..... 38, 142	7012957..... 41, 142
7009927..... 13	7010642 ..... 15, 19	7012312 ..... 38	7012958..... 41
7009929..... 13	7010643 ..... 15, 19	7012518 ..... 37	9983590..... 115
7009930..... 13	7010644 ..... 15, 19	7012540 ..... 41	
7009931..... 13	7010645 ..... 15, 19	7012565 ..... 25	
7009932..... 13	7010648 ..... 15, 19	7012593 ..... 89	
7009933..... 13	7010698 ..... 26, 50	7012594 ..... 108, 112	





**Corporate Office  
JLG Industries, Inc.  
1 JLG Drive  
McConnellsburg, PA 17233-9533 USA  
☎ (717) 485-5161 (Corporate)  
☎ (877) 554-5438 (Customer Support)  
📠 (717) 485-6417**

**Visit our website for JLG Worldwide Locations.  
[www.jlg.com](http://www.jlg.com)**



**OSHKOSH™**