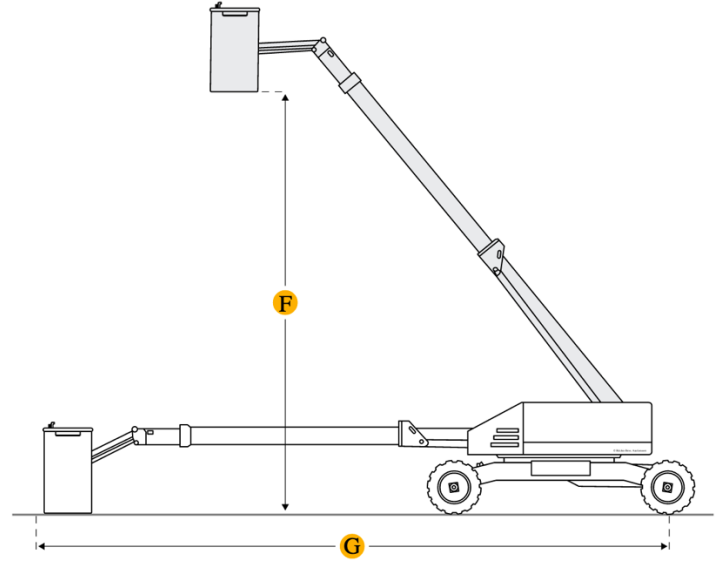
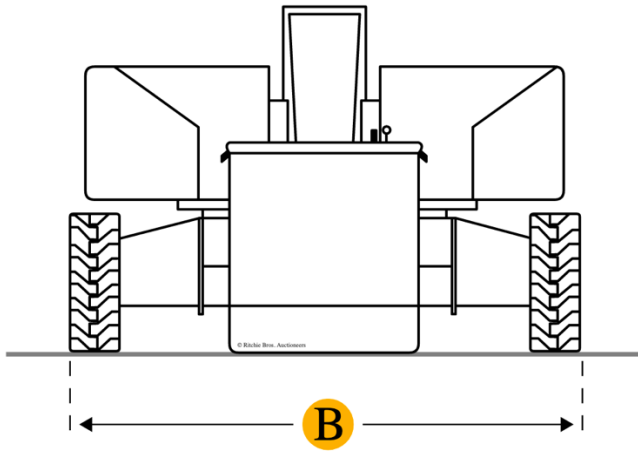
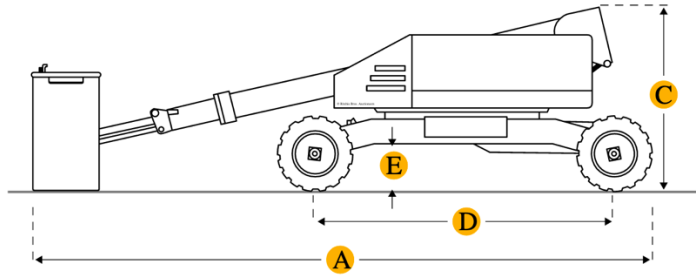


# Ritchie Specs JLG E400A Boom Lift



## Dimensions

### Dimensions

<b>A Overall Length</b>	18.05 in
<b>B Overall Width</b>	5.75 ft in
<b>C Overall Height - Mast Lowered</b>	6.57 ft in
<b>D Wheelbase</b>	6.57 ft in
<b>E Ground Clearance</b>	8.67 in
<b>Turning Radius</b>	10.34 ft in

### Platform

<b>F Max Platform Height</b>	40 ft in
<b>G Max Horizontal Reach</b>	21.17 ft in
<b>Platform Inner Width</b>	29.93 in
<b>Platform Inner Length</b>	48.04 in
<b>Max Platform Weight Capacity</b>	500.45 lb
<b>Platform Rotation</b>	180 degrees

## Specifications

### Engine

<b>System Voltage</b>	48 V
<b>Number Of Batteries</b>	8
<b>Battery Amp Hours</b>	370

### Operational

<b>Operating Weight</b>	12099 lb
<b>Max Speed</b>	3.3 mph
<b>Tire Size</b>	240/55-17.5
<b>Tire Fill/Type</b>	pneumatic

# Compare similar models

<i>Manufacturer/Model</i>	<i>Max Platform Weight Capacity</i>	<i>Operating Weight</i>
<a href="#">JLG 450AJ</a>	--	12650 lb
<a href="#">JLG 340AJ</a>	--	9700 lb
<a href="#">Skyjack SJ30ARJE</a>	500.5 lb	12264.4 lb