

Model RS SERIES

TELESCOPIC BOOM LIFTS



Performance

Platform Height		
18RS	18.3 m	60 ft
24RS	24.5 m	80 ft 4 in.
Horizontal Reach		
18RS	13.1 m	42 ft 10 in.
24RS	17.8 m	58 ft 5 in.
Swing	355° Non-Continuous	
Platform Capacity, Unrestricted	227 kg	500 lb
Platform Rotator	145°	
Platform Size	.76 m x 2.27 m	30 in. x 89.5 in.
Platform Material	Steel	
Gross Vehicle Weight*		
18RS	7,348 kg	16,200 lb
24RS	10,568 kg	23,300 lb
Max Ground Bearing Pressure		
18RS	5.34 kg/cm ²	76 psi
24RS	5.83 kg/cm ²	83 psi
Drive Speed		
18RS	4.2 kph	2.6 mph
24RS	4.5 kph	2.8 mph
Gradeability	45%	
Turning Radius (Inside)		
18RS	3.5 m	11 ft 6 in.
24RS	3.9 m	12 ft 11 in.
Turning Radius (Outside)		
18RS	6.5 m	21 ft 4 in.
24RS	6.9 m	22 ft 9 in.

Standard Specifications

Engine

Make and Model		
18RS	Diesel Engine Deutz D2011 L03	
24RS	Diesel Engine Deutz D2011 L040	
Power	36.4 kW	49 hp
Fuel Tank Capacity	83.3 L	22 gal
Auxiliary Power	12V DC (24RS Only)	

Hydraulic Reservoir

Capacity	136.3 L	36 gal
----------	---------	--------

Tires

Tire Size/Type		
18RS	33.5 x 12-20 Foam-Filled	
24RS	39 x 15-22.5 Foam-Filled	

Dimensions

Platform Size	.76 x 2.27 m	30 x 89.5 in.
Overall Width	2.49 m	8 ft 2 in.
Tail Swing		
18RS	1.2 m	4 ft
24RS	1.9 m	6 ft 3 in.
Stowed Height		
18RS	2.51 m	8 ft 3 in.
24RS	2.76 m	9 ft 7 in.**



Stowed Length		
18RS	9.4 m	30 ft 10 in.
24RS	11.85 m	38 ft 10.5 in.
Wheel Base		
18RS	2.74 m	9 ft
24RS	2.9 m	9 ft 6 in.
Ground Clearance		
18RS	24 cm	9.5 in.
24RS	28.5 cm	11.2 in.

* Certain options or country standards may increase weight. ** 2.51 m (8 ft 3 in) with container transport wheels. Specifications may change to meet country standards or with addition of optional equipment.

Standard Features

- Rugged Design
- Ships in Oversea Container
- Four Wheel Drive with Posi-traction
- High/Low Travel Speeds
- Slide Bar Platform Entry
- Platform Console Machine Status Light Panel
- Controls Arranged similarly to other JLG Boom Lift Products to facilitate training
- AC Wiring to Platform
- Tilt Light and Alarm
- Swing-Out Engine Tray
- Steel Gull-Wing Hoods
- Gravity Down Emergency Controls
- Control ADE® System
- Tie Down Lugs
- MDI Gauge
- Horn
- All Motion Alarm
- Lifting Lugs at Equal Elevations

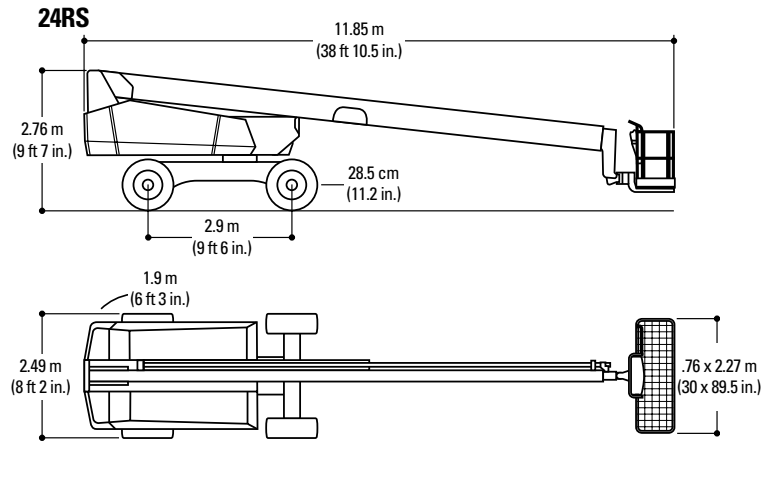
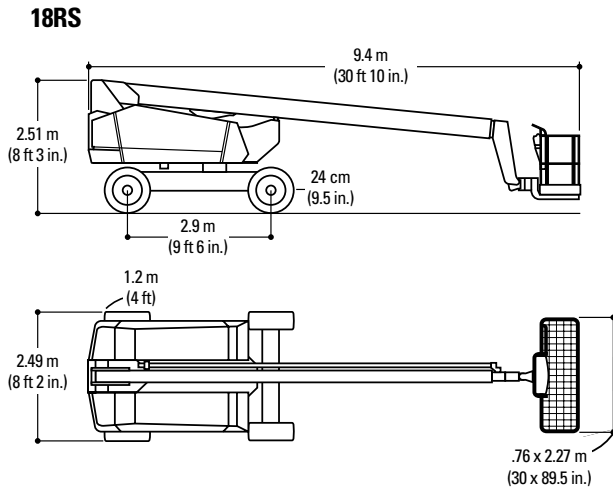
Accessories & Options

- SkyPower® Package (Includes 7500 watt generator, power cable and 1.27 cm airline to platform)
- SkyWelder® Package (Includes 250 amp Miller® welder in platform, leads, clamp, stinger and fire extinguisher. SkyPower Package required.)
- Pipe Rack
- Flashing Amber Beacon

Model RS SERIES TELESCOPIC BOOM LIFTS

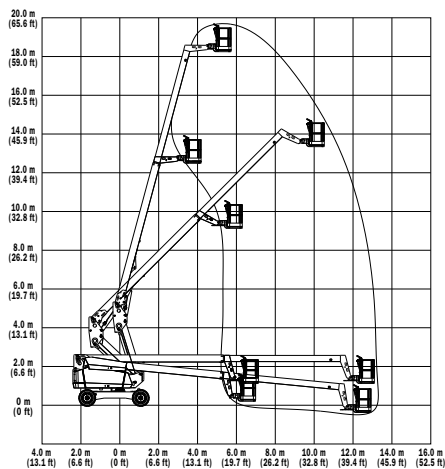
Dimensions

All dimensions are approximate.

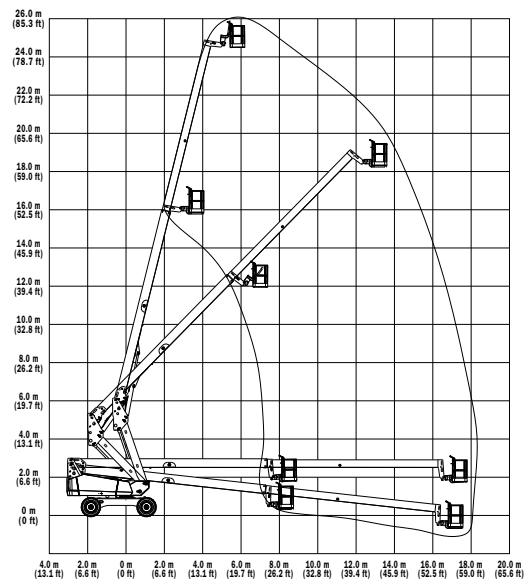


Reach Diagrams

18RS



24RS



The JLG "1 & 5" Warranty

JLG Industries, Inc. backs its products with its exclusive "1 & 5" Warranty. We provide coverage on all products for one (1) full year, and cover all specified major structural components for five (5) years. Due to continuous product improvements, we reserve the right to make specification and/or equipment changes without prior notification. This machine meets or exceeds applicable OSHA Regulations in 29 CFR 1910.67, 29 CFR 1926.453, ANSI A92.5-2006, and CSA Standard CAN3-B354.2-M82, as originally manufactured for intended applications.

Form No.: XX-XXXXX-XXXX-XXM
 Part No.: 3131029
 Printed in USA

JLG Industries, Inc.
 1 JLG Drive
 McConnellsburg, PA 17233-9533
 Telephone 717-485-5161
 Toll-free in US 877-JLG-LIFT
 Fax 717-485-6417
www.jlg.com

An Oshkosh Corporation Company