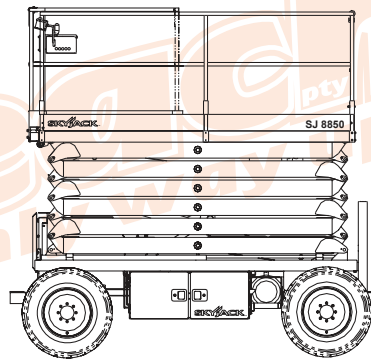




# S8850DRT - 50' (15.20M)

SCISSOR LIFT SKYJACK SJ8850RT

SPECIFICATION	IMPERIAL	METRIC
Working Height maximum	56ft	17.12m
Platform Height maximum	50ft	15.20m
Platform Size	64.5" x 115.4"	1.64m x 2.93m
Extension Deck (Roll-out)	55"	1.40m
Extension Deck (Dual Roll-out)		
Machine Height - stowed	130"	3.30m
Machine Height - Rails Down		
Machine Width	87"	2.20m
Machine Length - stowed	151"	3.83m
Machine Length - deck extended	190"	4.83m
Max. Platform Occupancy	3 PERSONS	
Wind Speed Rating Use	OUT DOOR USE	
Gradeability - stowed	30%	
Total Lift Capacity	800lbs	363kgs
Lift Capacity - Roll-out Extension Decks	300lbs	136kgs
Drive	FOUR WHEEL	
Maximum Drive Height	FULL HEIGHT	
Tyres	FOAM FILLED	
Machine Weight (approx.)	11998lbs	5442kgs
Ground Clearance (stowed)	8"	0.20m
Power Source	DIESEL	
Fuel Tank Capacity	21 gallons	80 litres
Operators Licence	EWPA YELLOW CARD	



**Attachments available, please contact our office.**

*Machine specifications are approximates & subject to change by the manufacturer without notice.*