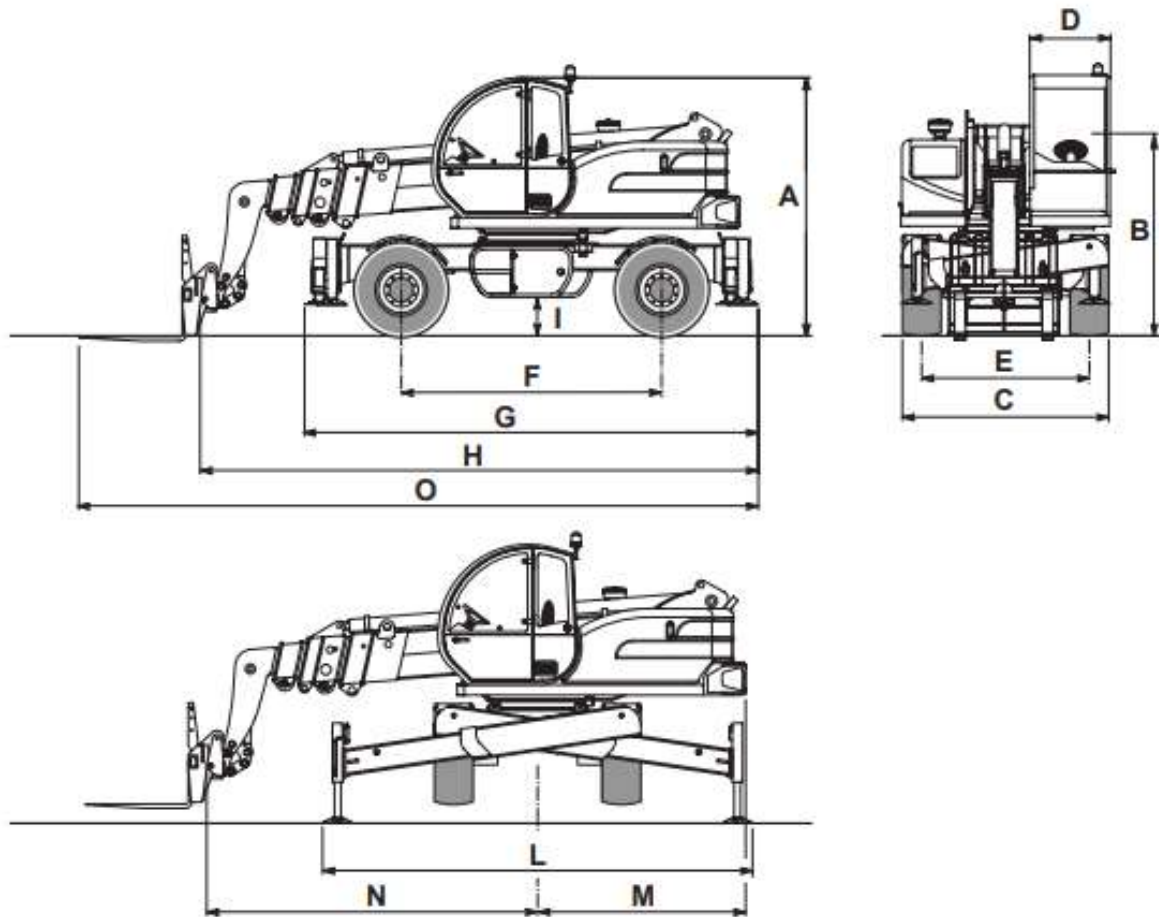


**2.1 MAIN DIMENSIONS**

			<b>Gyro 4020</b>	<b>Gyro 4518</b>
<b>A</b>	Overall height	mm	3020	3020
<b>B</b>	Height to the steering wheel	mm	2135	2135
<b>C</b>	Overall width	mm	2430	2430
<b>D</b>	Cab width	mm	910	910
<b>E</b>	Track	mm	1950	1950
<b>F</b>	Wheel-base	mm	3030	3030
<b>G</b>	Length to the front tyres	mm	5280	5280
<b>H</b>	Length to the attachment holding plate	mm	7085	6485
<b>I</b>	Ground clearance	mm	440	440
<b>L</b>	Max width with extended outriggers	mm	5015	5015
<b>M</b>	Rear reach from the rotation centre	mm	2425	2425
<b>N</b>	Front reach from the rotation centre	mm	4445	3485
<b>O</b>	Length to the forks	mm	8500	7900

**2.2 TYRES**

			<b>Gyro 4020</b>	<b>Gyro 4518</b>
•	Dimensions		18-19.5	18-19.5
•	- P. R. (or load index)		16	16
•	- Rim		14x19.5	14x19.5
•	- Wheel disc		10 holes DIN 70361	
•	- Pressure	bar/Psi	6/87	6/87

**2.3 LIMIT OF USE**

			<b>Gyro 4020</b>	<b>Gyro 4518</b>
•	Angle of approach	°	20	20
•	Departure angle	°	20	20
•	Min/max ambient temperature	°C	-20++46	-20++46

**2.4 WEIGHT**

			<b>Gyro 4020</b>	<b>Gyro 4518</b>
•	Weight in working order	kg	15200	14800

**2.5 SPEED**

			<b>Gyro 4020</b>	<b>Gyro 4518</b>
•	Working speed (*)	km/h	5	5
•	Travel speed	km/h	32	32
•	Max. slope with full load	%	40	45

(\*) either forward or reverse motion