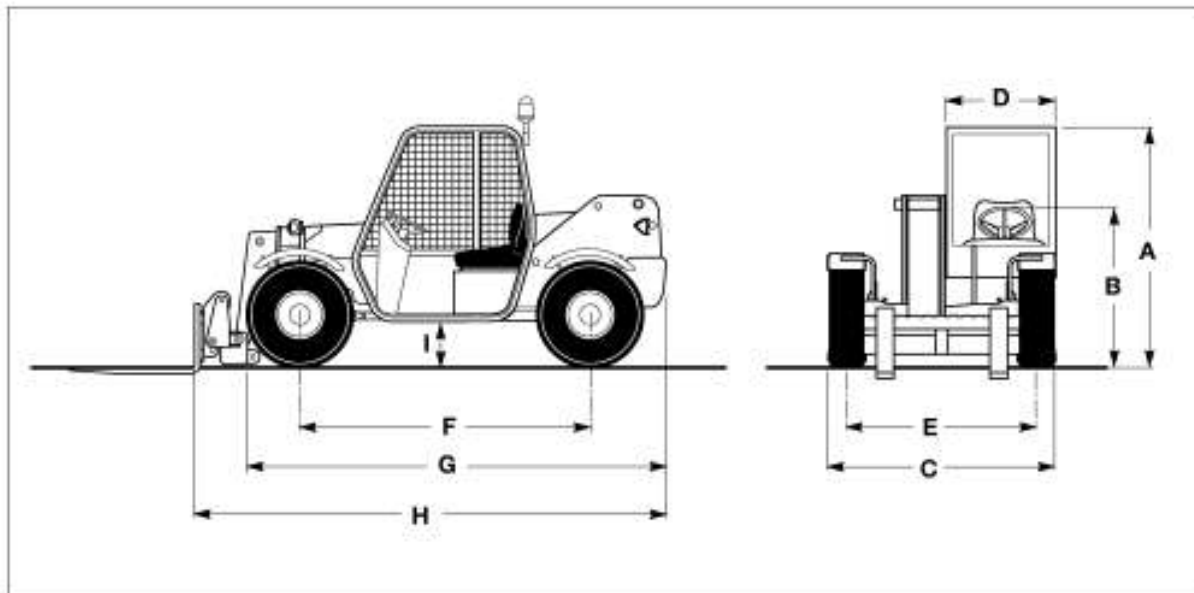


GENERAL INFORMATION
■ A-5 TECHNICAL DATA AND PERFORMANCE

■ A-5.1 MAIN DIMENSIONS

	TEREXLIFT 51-19-S	
A Overall height	ft (mm)	6' 0" (1920)
B Height to the steering wheel	ft (mm)	4' 0" (1230)
C Overall width	ft (mm)	5' 1" (1800)
D Cab width	ft (mm)	2' 7/8" (860)
E Track	ft (mm)	5' 0" (1500)
F Wheel-base	ft (mm)	7' 1/2" (2280)
G Length to the front tyres	ft (mm)	10' 3/4" (3270)
H Length to the attachment holding plate	ft (mm)	12' 1/4" (3720)
I Ground clearance	ft (mm)	1' 1/4" (360)
• Internal steering radius	ft (mm)	5' 1/2" (1680)
• External steering radius	ft (mm)	10' 1" (3345)

■ A-5.1.1 RESTRICTIONS OF USE

• Angle of approach		90°
• Departure angle		70°
• Ambient temperature	°C	-20°/+40°

■ A-5.2 WEIGHT

• Weight in working order	lb (kg)	9479.8 (4300)
---------------------------	---------	---------------

■ A-5.3 SPEED

- Working speed (*)	mph (km/h)	5.0 (8)
- Travel speed (*)	mph (km/h)	14.9 (24)
- Max. slope with full load		60%

(*) = either forward or reverse motion.