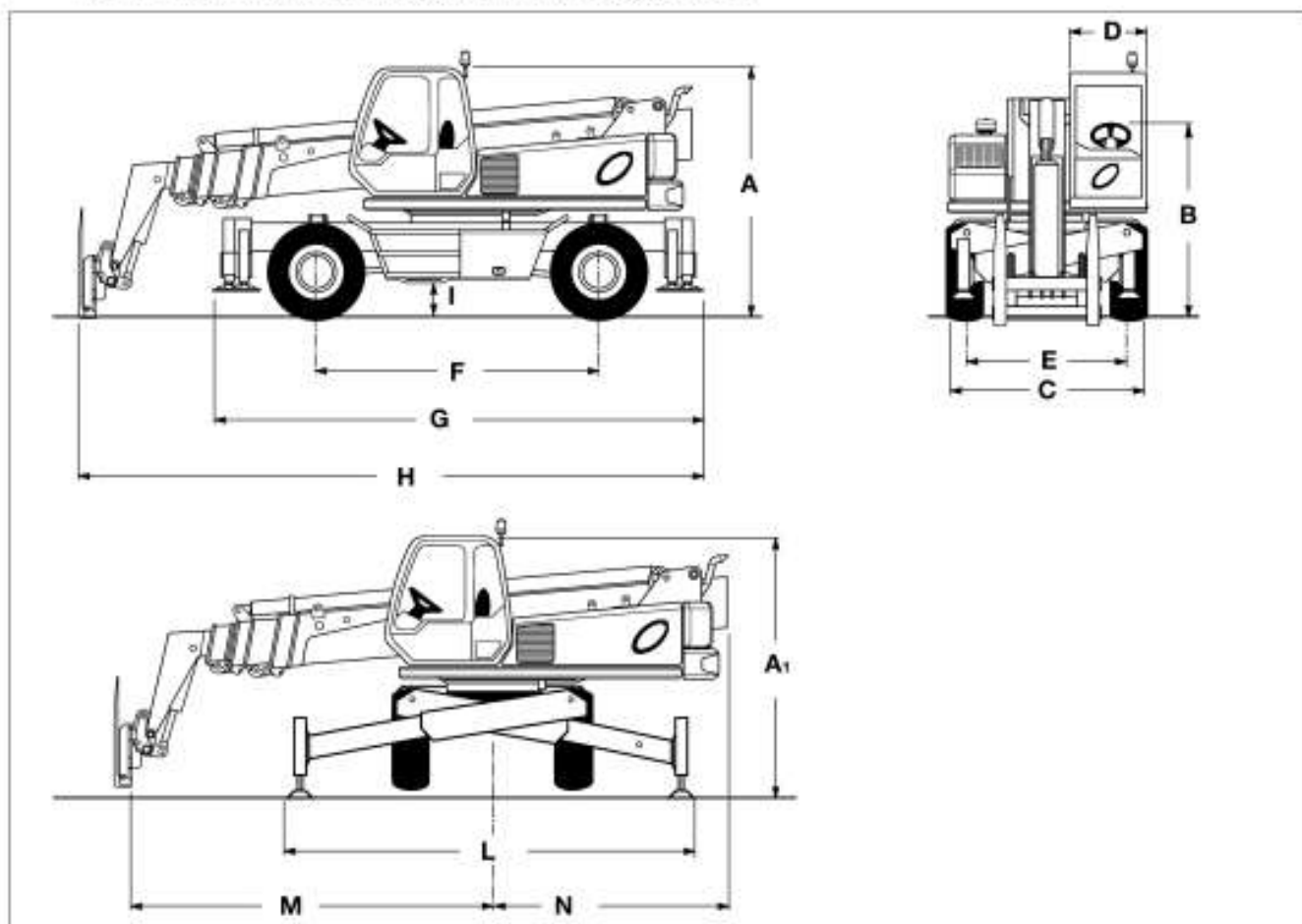


**A-5 TECHNICAL DATA AND PERFORMANCE**

**A-5.1 Main dimensions**

Description	u.m.	TX 77-45R	TX 110-72R	
A	Overall height	mm	2920	3050
A <sub>1</sub>	Overall height with lowered stabilisers	mm	3260	3050
B	Height to the steering wheel	mm	2180	2280
C	Overall width	mm	2430	2470
D	Cab internal width	mm	910	910
E	Track	mm	1950	2020
F	Wheel-base	mm	3030	3500
G	Length to the stabilisers	mm	4860	6060
H	Length to the attachment holding plate	mm	5790	7600
I	Ground clearance	mm	350	420
L	Max width with extended stabilisers	mm	3900	5000
M	Front reach from the rotation centre	mm	3360	4570
N	Rear reach from the rotation centre	mm	2260	2875

**A-5.1.1 Characteristic angles**

• Angle of approach (with stabilisers)	26°	17°
• Departure angle	26°	17°

**A-5.2 Weight**

• Weight in working order	kg	11700	17700
---------------------------	----	-------	-------